

# HC-D-G-M25-PLRBK - Cable gland

1411351

<https://www.phoenixcontact.com/in/products/1411351>

Please be informed that the data shown in this PDF document is generated from our online catalog. Please find the complete data in the user documentation. Our general terms of use for downloads are valid.



EVO plastic cable gland with bayonet locking, for housing series D, size M25, cable diameter: 9 mm ... 17 mm.

## Commercial data

Item number	1411351
Packing unit	1 pc
Minimum order quantity	1 pc
Sales key	BF7
Product key	BF7APN
Catalog page	Page 524 (C-2-2019)
GTIN	4046356929226
Weight per piece (including packing)	33.9 g
Weight per piece (excluding packing)	32 g
Customs tariff number	85389099
Country of origin	PL

# HC-D-G-M25-PLRBK - Cable gland

1411351

<https://www.phoenixcontact.com/in/products/1411351>

## Technical data

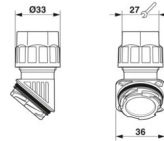
### Product properties

Product type	Cable gland with bayonet locking
No. of conductors	1
Type of the screw connection	M25
Shielded	no

### Data management status

Article revision	02
------------------	----

### Dimensions

Dimensional drawing	
Wrench size, union nut	26 mm

### Material specifications

Color	black (RAL 9005)
Material Pressure screw	PA
Flammability rating according to UL 94	V0 / V2
Seal material O-ring	NBR
Seal material Cable seal	NBR
Material for screw connection	PA

### Cable/line

External cable diameter Cable 1	9 mm ... 17 mm
---------------------------------	----------------

### Mechanical properties

#### Mechanical data

Type of the screw connection	M25
------------------------------	-----

### Environmental and real-life conditions

#### Ambient conditions

Degree of protection	IP66
Enclosure rating (NEMA)	12 (UL 50e)
Ambient temperature (operation)	-40 °C ... 100 °C

### Mounting

Assembly note	Bayonet locking max. 3x can be removed
---------------	--

# HC-D-G-M25-PLRBK - Cable gland

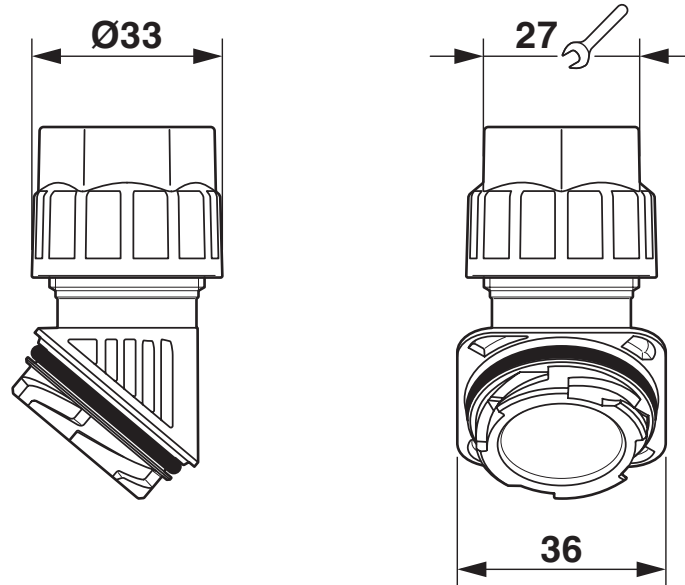
1411351

<https://www.phoenixcontact.com/in/products/1411351>



## Drawings

Dimensional drawing



Dimensional drawing

# HC-D-G-M25-PLRBK - Cable gland



1411351

<https://www.phoenixcontact.com/in/products/1411351>

## Approvals

To download certificates, visit the product detail page: <https://www.phoenixcontact.com/in/products/1411351>



**EAC-RoHS**

Approval ID: RU D-DE.HB35.B.00387



**cUL Recognized**

Approval ID: E255026



**UL Recognized**

Approval ID: E255026

**cULus Recognized**

# HC-D-G-M25-PLRBK - Cable gland



1411351

<https://www.phoenixcontact.com/in/products/1411351>

## Classifications

### ECLASS

ECLASS-11.0	27144432
ECLASS-12.0	27140801
ECLASS-13.0	27140801

### ETIM

ETIM 9.0	EC000441
----------	----------

### UNSPSC

UNSPSC 21.0	39121300
-------------	----------

# HC-D-G-M25-PLRBK - Cable gland



1411351

<https://www.phoenixcontact.com/in/products/1411351>

## Environmental product compliance

### EU RoHS

Fulfills EU RoHS substance requirements	Yes, No exemptions
---	--------------------

### China RoHS

Environment friendly use period (EFUP)	EFUP-E
	No hazardous substances above the limits

### EU REACH SVHC

REACH candidate substance (CAS No.)	No substance above 0.1 wt%
-------------------------------------	----------------------------

# HC-D-G-M25-PLRBK - Cable gland

1411351

<https://www.phoenixcontact.com/in/products/1411351>



## Accessories

### WP-GR HF CTA M25 BK - Corrugated tube screw connection

3241221

<https://www.phoenixcontact.com/in/products/3241221>



Corrugated pipe adapter, with internal thread, for connecting corrugated pipes to HEAVYCON EVO M25 plastic cable glands or ADVANCE M25 plastic housings, straight, black, IP66.

---

### SEALING PLUG 14X22 RD - Closing cap

1400270

<https://www.phoenixcontact.com/in/products/1400270>



Closing cap, for threads pluggable, color: red

---

Phoenix Contact 2024 © - all rights reserved

<https://www.phoenixcontact.com>

PHOENIX CONTACT (I) Pvt. Ltd.

A-58/2, Okhla Industrial Area, Phase - II, New Delhi-110 020

+91.1275.71420

[info@phoenixcontact.co.in](mailto:info@phoenixcontact.co.in)