

HC-STA-B24-BWD-ELC-AL - Housing



1411331

<https://www.phoenixcontact.com/in/products/1411331>

Please be informed that the data shown in this PDF document is generated from our Online Catalog. Please find the complete data in the user documentation. Our General Terms of Use for Downloads are valid.



HEAVYCON B24 panel mounting base, with double locking latch, with flat gasket, salt-water-resistant aluminum, conductive profile gasket

Your advantages

- Good shielding in the event of electromagnetic interference

Commercial Data

Item number	1411331
Packing unit	1 pc
Minimum order quantity	1 pc
Sales Key	BF7
Product Key	BF7APB
Catalog Page	Page 637 (C-2-2019)
GTIN	4046356927512
Weight per Piece (including packing)	133 g
Weight per Piece (excluding packing)	129.8 g
Customs tariff number	85389099
Country of origin	CN

1411331

<https://www.phoenixcontact.com/in/products/1411331>

Technical Data

Notes

General	For contact inserts HC-B24, BB46, D64, DD108, M
---------	---

Product properties

Type	B24
Product type	Housing with locking latch
Application	Standard
Housing type	Panel mounting base
Locking type	with double locking latch
Pg screw connection	none

Dimensions

Dimensional drawing	
Width	53 mm
Height	30.5 mm
Length	140.5 mm
Drill hole distance, horizontal	130 mm
Drill hole distance, vertical	32 mm
Hole diameter	4.5 mm

Installation dimensions

Width of the assembly cutout	35 mm
Length of the assembly cutout	113 mm

Material specifications

Color	gray aluminum
Flammability rating according to UL 94	V0 (Interlock)
Seal material	NBR, conductive
	NBR, conductive
Housing surface material	uncoated
Locking latch material	Polyamide
Impact strength	IK09
Housing material	Die-cast aluminum, salt water resistant

Mechanical properties

Mechanical data

Locking type	Latch
--------------	-------

Environmental and real-life conditions

HC-STA-B24-BWD-ELC-AL - Housing



1411331

<https://www.phoenixcontact.com/in/products/1411331>

Ambient conditions

Degree of protection	IP66
	IP67
	4 (UL 50e)
	4X (UL 50e)
	12 (UL 50e)
Impact strength	IK09
Ambient temperature (operation)	-40 °C ... 125 °C

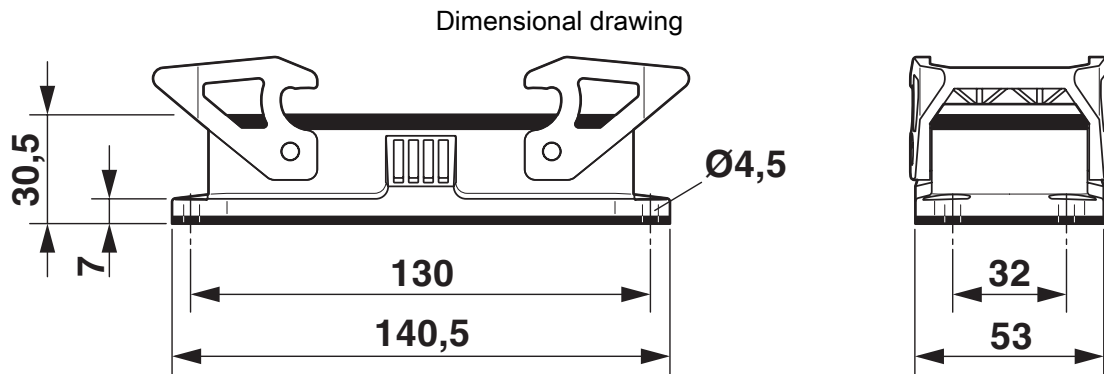
HC-STA-B24-BWD-ELC-AL - Housing



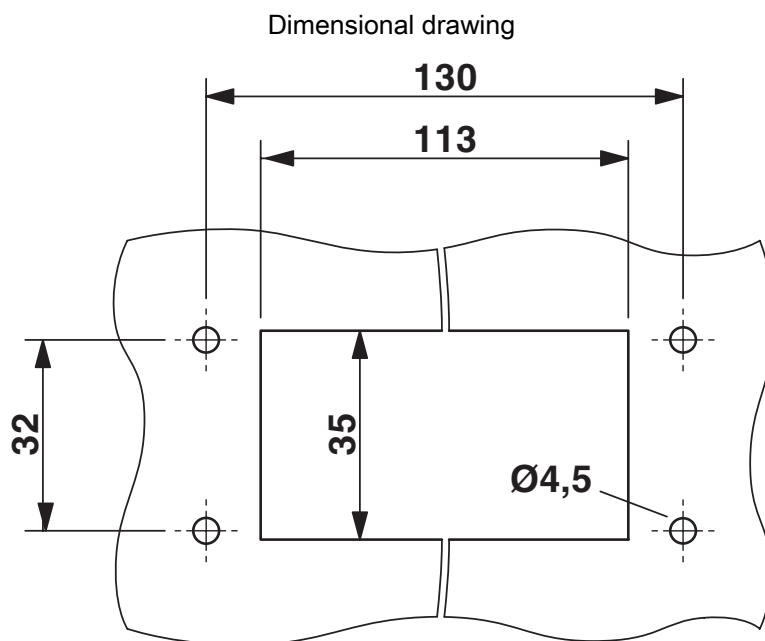
1411331

<https://www.phoenixcontact.com/in/products/1411331>

Drawings



Dimensional drawing



Mounting cutout

HC-STA-B24-BWD-ELC-AL - Housing



1411331

<https://www.phoenixcontact.com/in/products/1411331>

Approvals



cUL Recognized
Approval ID: E255026



UL Recognized
Approval ID: E255026



EAC
Approval ID: RU C-DE.AI30.B.01102



EAC
Approval ID: RU C-DE.BL08.B.00511

HC-STA-B24-BWD-ELC-AL - Housing



1411331

<https://www.phoenixcontact.com/in/products/1411331>

Classifications

ECLASS

ECLASS-11.0	27440202
ECLASS-12.0	27440202
ECLASS-13.0	27440202

ETIM

ETIM 8.0	EC000437
----------	----------

UNSPSC

UNSPSC 21.0	31261500
-------------	----------

HC-STA-B24-BWD-ELC-AL - Housing



1411331

<https://www.phoenixcontact.com/in/products/1411331>

Environmental Product Compliance

China RoHS	Environmentally friendly use period: unlimited = EFUP-e No hazardous substances above threshold values
------------	---

HC-STA-B24-BWD-ELC-AL - Housing

1411331

<https://www.phoenixcontact.com/in/products/1411331>



Accessories

HC-B24-SG-CBK - Flat gasket

1411486

<https://www.phoenixcontact.com/in/products/1411486>



Replacement flat gasket, for HEAVYCON panel mounting base, HC-STA....AL, type B24, conductive

HC-B24-SP-CBK - Profile gasket

1411482

<https://www.phoenixcontact.com/in/products/1411482>



Profile gasket for HEAVYCON EVO supporting base element type B24, conductive

HC-STA-B24-BWD-ELC-AL - Housing

1411331

<https://www.phoenixcontact.com/in/products/1411331>



HC-STA-B10-24-DL-PLBK - Housing brackets

1412886

<https://www.phoenixcontact.com/in/products/1412886>



Double locking latch for B10 / B16 / B24 housing, HC-EVO...AL and HC-STA...AL

HC-B24-BCFD-P-BK - Protective cover

1346546

<https://www.phoenixcontact.com/in/products/1346546>



Protective cover B24, for double locking latch, protective cover material: PC, height: 26.3 mm, seal: no

HC-STA-B24-BWD-ELC-AL - Housing

1411331

<https://www.phoenixcontact.com/in/products/1411331>



HC-B24-BC-HI-PLBK - Protective cover

1407695

<https://www.phoenixcontact.com/in/products/1407695>

Protective cover B24, for single locking latch, protective cover material: PC, height: 19 mm, seal: no



US-EMLP-HA (20X9) - Plastic label

0830989

<https://www.phoenixcontact.com/in/products/0830989>

Plastic label, Card, white, unlabeled, can be labeled with: BLUEMARK ID COLOR, BLUEMARK ID, THERMOMARK PRIME, THERMOMARK CARD 2.0, THERMOMARK CARD, mounting type: adhesive, lettering field size: 20 x 9 mm, Number of individual labels: 70



HC-STA-B24-BWD-ELC-AL - Housing

1411331

<https://www.phoenixcontact.com/in/products/1411331>



US-EMLP-HA (20X9) CUS - Plastic label

0830995

<https://www.phoenixcontact.com/in/products/0830995>

Plastic label, Card, white, labeled, can be labeled with: THERMOMARK CARD, mounting type: adhesive, lettering field size: 20 x 9 mm, Number of individual labels: 70



Phoenix Contact 2023 © - all rights reserved

<https://www.phoenixcontact.com>

PHOENIX CONTACT (I) Pvt. Ltd.

A-58/2, Okhla Industrial Area, Phase - II, New Delhi-110 020

+91.1275.71420

info@phoenixcontact.co.in