

HC-STA-B10-BWD-ELC-AL - Housing



1411322

<https://www.phoenixcontact.com/in/products/1411322>

Please be informed that the data shown in this PDF document is generated from our Online Catalog. Please find the complete data in the user documentation. Our General Terms of Use for Downloads are valid.



HEAVYCON B10 panel mounting base, with double locking latch, with flat gasket, salt-water-resistant aluminum, conductive profile gasket

Your advantages

- Good shielding in the event of electromagnetic interference

Commercial Data

Item number	1411322
Packing unit	1 pc
Minimum order quantity	1 pc
Sales Key	BF7
Product Key	BF7APB
Catalog Page	Page 609 (C-2-2019)
GTIN	4046356927239
Weight per Piece (including packing)	104 g
Weight per Piece (excluding packing)	103.2 g
Customs tariff number	85389099
Country of origin	CN

1411322

<https://www.phoenixcontact.com/in/products/1411322>

Technical Data

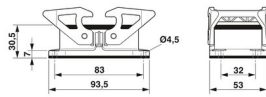
Notes

General	For contact inserts HC-B10, BB18, DD42, M, K8/24
---------	--

Product properties

Type	B10
Product type	Housing with locking latch
Application	Standard
Housing type	Panel mounting base
Locking type	with double locking latch
Pg screw connection	none

Dimensions

Dimensional drawing	
Width	53 mm
Height	30.5 mm
Length	93.5 mm
Drill hole distance, horizontal	83 mm
Drill hole distance, vertical	32 mm
Hole diameter	4.5 mm

Installation dimensions

Width of the assembly cutout	35 mm
Length of the assembly cutout	65 mm

Material specifications

Color	gray aluminum
Flammability rating according to UL 94	V0 (Interlock)
Seal material	NBR, conductive NBR, conductive
Housing surface material	uncoated
Locking latch material	PA
Impact strength	IK09
Housing material	Die-cast aluminum, salt water resistant

Mechanical properties

Mechanical data

Locking type	Latch
--------------	-------

Environmental and real-life conditions

HC-STA-B10-BWD-ELC-AL - Housing



1411322

<https://www.phoenixcontact.com/in/products/1411322>

Ambient conditions

Degree of protection	IP66
	IP67
	4 (UL 50e)
	4X (UL 50e)
	12 (UL 50e)
Impact strength	IK09
Ambient temperature (operation)	-40 °C ... 125 °C

HC-STA-B10-BWD-ELC-AL - Housing

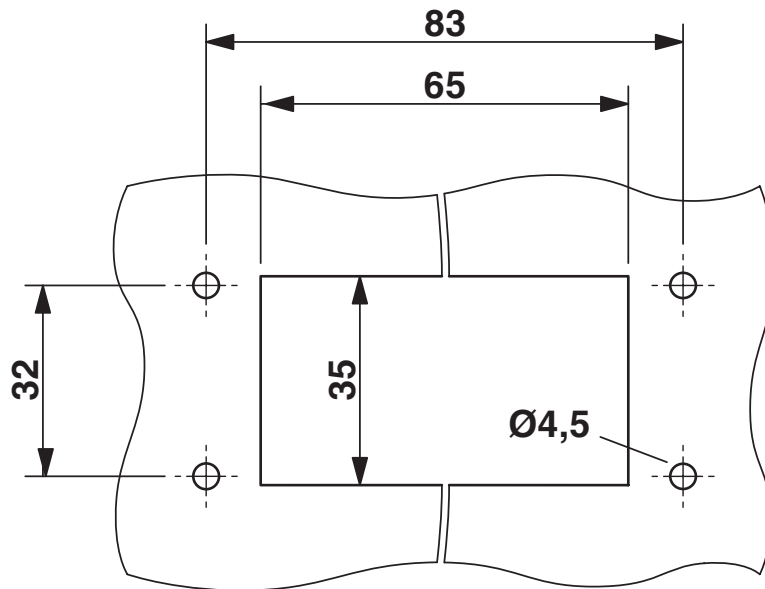


1411322

<https://www.phoenixcontact.com/in/products/1411322>

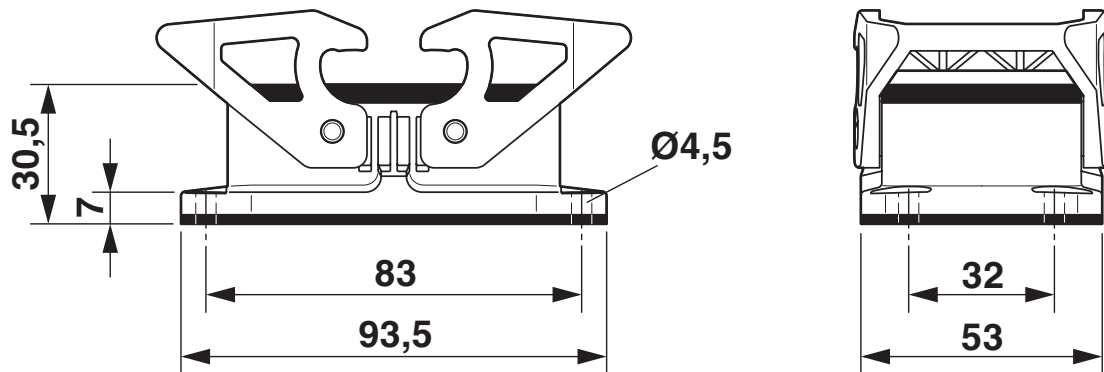
Drawings

Dimensional drawing



Mounting cutout

Dimensional drawing



Dimensional drawing

HC-STA-B10-BWD-ELC-AL - Housing



1411322

<https://www.phoenixcontact.com/in/products/1411322>

Approvals



cUL Recognized
Approval ID: E255026



UL Recognized
Approval ID: E255026



EAC
Approval ID: RU C-DE.AI30.B.01102



EAC
Approval ID: RU C-DE.BL08.B.00511

HC-STA-B10-BWD-ELC-AL - Housing



1411322

<https://www.phoenixcontact.com/in/products/1411322>

Classifications

ECLASS

ECLASS-11.0	27440202
ECLASS-12.0	27440202
ECLASS-13.0	27440202

ETIM

ETIM 8.0	EC000437
----------	----------

UNSPSC

UNSPSC 21.0	31261500
-------------	----------

HC-STA-B10-BWD-ELC-AL - Housing



1411322

<https://www.phoenixcontact.com/in/products/1411322>

Environmental Product Compliance

China RoHS	Environmentally friendly use period: unlimited = EFUP-e
	No hazardous substances above threshold values

HC-STA-B10-BWD-ELC-AL - Housing

1411322

<https://www.phoenixcontact.com/in/products/1411322>

Accessories

HC-B10-SG-CBK - Flat gasket

1411484

<https://www.phoenixcontact.com/in/products/1411484>

Replacement flat gasket, for HEAVYCON panel mounting base, HC-STA....AL, type B10, conductive



HC-B10-SP-CBK - Profile gasket

1411479

<https://www.phoenixcontact.com/in/products/1411479>

Profile gasket for HEAVYCON EVO supporting base element type B10, conductive



HC-STA-B10-BWD-ELC-AL - Housing

1411322

<https://www.phoenixcontact.com/in/products/1411322>



HC-STA-B10-24-DL-PLBK - Housing brackets

1412886

<https://www.phoenixcontact.com/in/products/1412886>



Double locking latch for B10 / B16 / B24 housing, HC-EVO...AL and HC-STA...AL

HC-B10-BC-HI-PLBK - Protective cover

1407693

<https://www.phoenixcontact.com/in/products/1407693>



Protective cover B10, for single locking latch, protective cover material: PC, height: 19.1 mm, seal: no

HC-STA-B10-BWD-ELC-AL - Housing

1411322

<https://www.phoenixcontact.com/in/products/1411322>



HC-B10-BCFD-P-BK - Protective cover

1346527

<https://www.phoenixcontact.com/in/products/1346527>



Protective cover B10, for double locking latch, protective cover material: PC, height: 26.3 mm, seal: no

US-EMLP-HA (20X9) - Plastic label

0830989

<https://www.phoenixcontact.com/in/products/0830989>



Plastic label, Card, white, unlabeled, can be labeled with: BLUEMARK ID COLOR, BLUEMARK ID, THERMOMARK PRIME, THERMOMARK CARD 2.0, THERMOMARK CARD, mounting type: adhesive, lettering field size: 20 x 9 mm, Number of individual labels: 70

HC-STA-B10-BWD-ELC-AL - Housing

1411322

<https://www.phoenixcontact.com/in/products/1411322>



US-EMLP-HA (20X9) CUS - Plastic label

0830995

<https://www.phoenixcontact.com/in/products/0830995>

Plastic label, Card, white, labeled, can be labeled with: THERMOMARK CARD, mounting type: adhesive, lettering field size: 20 x 9 mm, Number of individual labels: 70



Phoenix Contact 2023 © - all rights reserved

<https://www.phoenixcontact.com>

PHOENIX CONTACT (I) Pvt. Ltd.

A-58/2, Okhla Industrial Area, Phase - II, New Delhi-110 020

+91.1275.71420

info@phoenixcontact.co.in