

# HC-STA-B06-BWSC-ELC-AL - Housing



1411319

<https://www.phoenixcontact.com/in/products/1411319>

Please be informed that the data shown in this PDF document is generated from our online catalog. Please find the complete data in the user documentation. Our general terms of use for downloads are valid.



Panel mounting base B6, with single locking latch, material: Die-cast aluminum, salt water resistant, protective cover material: PC, height: 30.5 mm, cable gland: none, protective cover: yes, Standard, with flat gasket

## Your advantages

- Good shielding in the event of electromagnetic interference

## Commercial data

Item number	1411319
Packing unit	1 pc
Minimum order quantity	1 pc
Sales key	BF7
Product key	BF7APB
Catalog page	Page 599 (C-2-2019)
GTIN	4046356927208
Weight per piece (including packing)	114.6 g
Weight per piece (excluding packing)	113 g
Customs tariff number	85389099
Country of origin	CN

# HC-STA-B06-BWSC-ELC-AL - Housing



1411319

<https://www.phoenixcontact.com/in/products/1411319>

## Technical data

### Notes

General	For contact inserts HC-B6, BB10, DD24, M
General	also available as a powder-coated or color version: 1373284 HC-STA-B06-BWSC-EL/.../...

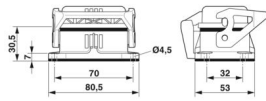
### Product properties

Product type	Housing with locking latch
Housing type	Panel mounting base
Application	Standard
Type	B6
Protective cover	yes
Pg screw connection	none

### Data management status

Article revision	03
------------------	----

### Dimensions

Dimensional drawing	
Width	53 mm
Height	30.5 mm
Length	80.5 mm
Drill hole distance, horizontal	70 mm
Drill hole distance, vertical	32 mm
Hole diameter	4.5 mm

### Installation dimensions

Width of the assembly cutout	35 mm
Length of the assembly cutout	52 mm

### Material specifications

Flammability rating according to UL 94	V0 (Interlock) V0 (Protective cover)
Seal material	NBR, conductive NBR, conductive
Housing material	Die-cast aluminum, salt water resistant
Housing surface material	uncoated
Material, protective cover	PC
Locking latch material	PA

### Mechanical properties

# HC-STA-B06-BWSC-ELC-AL - Housing



1411319

<https://www.phoenixcontact.com/in/products/1411319>

## Mechanical data

Locking type	Latch
--------------	-------

## Connection data

Tightening torque	0.8 Nm ... 1.2 Nm (For M4 mounting screws on the panel-mount base)
-------------------	--

## Environmental and real-life conditions

### Ambient conditions

Degree of protection	IP66 (with locked protective cover)
	IP67 (when plugged in)
Enclosure rating (NEMA)	4 (UL 50e)
	4X (UL 50e)
	12 (UL 50e)
Impact strength	IK08
Ambient temperature (operation)	-40 °C ... 125 °C

# HC-STA-B06-BWSC-ELC-AL - Housing

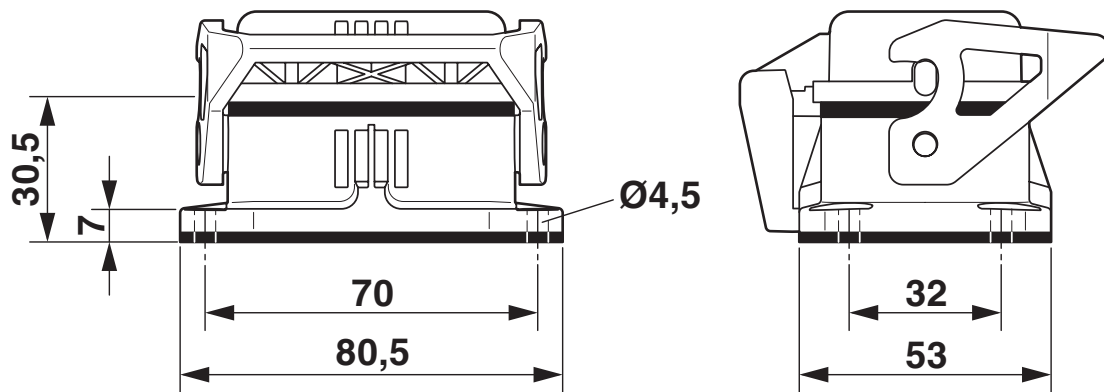


1411319

<https://www.phoenixcontact.com/in/products/1411319>

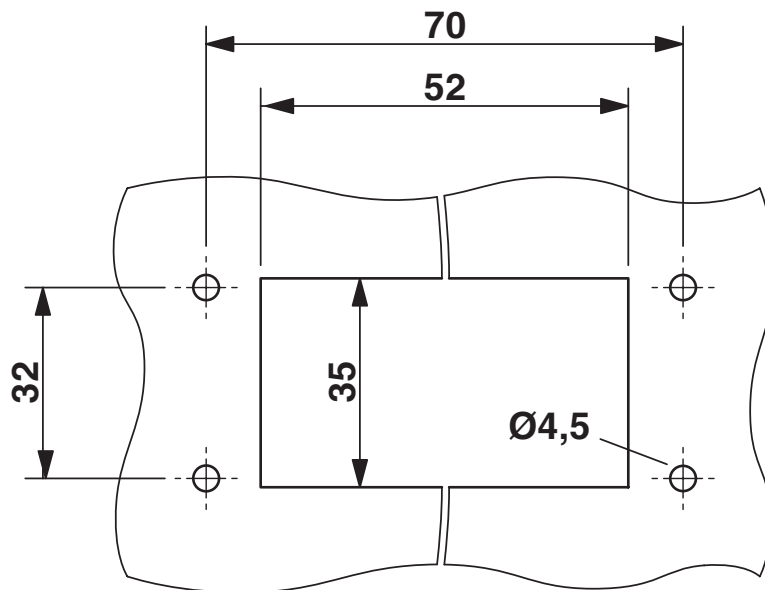
## Drawings

Dimensional drawing



Dimensional drawing

Dimensional drawing



Mounting cutout

1411319

<https://www.phoenixcontact.com/in/products/1411319>

## Approvals

To download certificates, visit the product detail page: <https://www.phoenixcontact.com/in/products/1411319>

**DNV**

Approval ID: TAE000037S



**EAC**

Approval ID: RU C-DE.AI30.B.01102



**EAC**

Approval ID: RU C-DE.BL08.B.00511



**cUL Recognized**

Approval ID: E255026



**UL Recognized**

Approval ID: E255026

**cULus Recognized**

# HC-STA-B06-BWSC-ELC-AL - Housing



1411319

<https://www.phoenixcontact.com/in/products/1411319>

## Classifications

### ECLASS

ECLASS-11.0	27440202
ECLASS-12.0	27440202
ECLASS-13.0	27440202

### ETIM

ETIM 9.0	EC000437
----------	----------

### UNSPSC

UNSPSC 21.0	31261500
-------------	----------

1411319

<https://www.phoenixcontact.com/in/products/1411319>

## Environmental product compliance

### EU RoHS

Fulfills EU RoHS substance requirements	Yes, No exemptions
---	--------------------

### China RoHS

Environment friendly use period (EFUP)	EFUP-E
	No hazardous substances above the limits

### EU REACH SVHC

REACH candidate substance (CAS No.)	No substance above 0.1 wt%
-------------------------------------	----------------------------

# HC-STA-B06-BWSC-ELC-AL - Housing

1411319

<https://www.phoenixcontact.com/in/products/1411319>

## Accessories

### HC-B06-SG-CBK - Flat gasket

1411483

<https://www.phoenixcontact.com/in/products/1411483>

Replacement flat gasket, for HEAVYCON panel mounting base, HC-STA-...AL, type B6, conductive



---

### HC-B06-SP-CBK - Profile gasket

1411477

<https://www.phoenixcontact.com/in/products/1411477>

Profile gasket for HEAVYCON EVO supporting base element type B6, conductive





# HC-STA-B06-BWSC-ELC-AL - Housing

1411319

<https://www.phoenixcontact.com/in/products/1411319>



## HC-STA-B06-SL-PLBK - Housing brackets

1412591

<https://www.phoenixcontact.com/in/products/1412591>



Single locking latch for B6 housing, HC-EVO...AL and HC-STA...AL

---

## HC-B06-BC-HI-PLBK - Protective cover

1407692

<https://www.phoenixcontact.com/in/products/1407692>



Protective cover B6, for single locking latch, protective cover material: PC, height: 19 mm, seal: no

# HC-STA-B06-BWSC-ELC-AL - Housing



1411319

<https://www.phoenixcontact.com/in/products/1411319>

## US-EMLP-HA (20X9) - Plastic label

0830989

<https://www.phoenixcontact.com/in/products/0830989>



Plastic label, Card, white, unlabeled, can be labeled with: BLUEMARK ID COLOR, BLUEMARK ID, THERMOMARK PRIME, THERMOMARK CARD 2.0, THERMOMARK CARD, mounting type: adhesive, lettering field size: 20 x 9 mm, Number of individual labels: 70

---

## US-EMLP-HA (20X9) CUS - Plastic label

0830995

<https://www.phoenixcontact.com/in/products/0830995>



Plastic label, Card, can be ordered: by card, white, labeled, can be labeled with: THERMOMARK CARD, mounting type: adhesive, lettering field size: 20 x 9 mm, Number of individual labels: 70

# HC-STA-B06-BWSC-ELC-AL - Housing

1411319

<https://www.phoenixcontact.com/in/products/1411319>



## HC-STA-B06-DC-PL - Protective cover

1421100

<https://www.phoenixcontact.com/in/products/1421100>

Protective cover, design: B6



---

Phoenix Contact 2024 © - all rights reserved

<https://www.phoenixcontact.com>

PHOENIX CONTACT (I) Pvt. Ltd.

A-58/2, Okhla Industrial Area, Phase - II, New Delhi-110 020

+91.1275.71420

[info@phoenixcontact.co.in](mailto:info@phoenixcontact.co.in)