

HC-B-G-M25-PLRBK - Cable gland



1407670

<https://www.phoenixcontact.com/in/products/1407670>

Please be informed that the data shown in this PDF document is generated from our online catalog. Please find the complete data in the user documentation. Our general terms of use for downloads are valid.



EVO plastic cable gland with bayonet locking, for housing series B, size M25, cable diameter: 9 mm ... 17 mm

Commercial data

Item number	1407670
Packing unit	1 pc
Minimum order quantity	1 pc
Sales key	BF7
Product key	BF7APL
Catalog page	Page 604 (C-2-2019)
GTIN	4046356776387
Weight per piece (including packing)	40.1 g
Weight per piece (excluding packing)	38 g
Customs tariff number	39269097
Country of origin	PL

HC-B-G-M25-PLRBK - Cable gland

1407670

<https://www.phoenixcontact.com/in/products/1407670>

Technical data

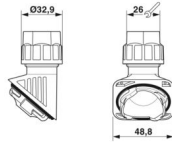
Product properties

Product type	Cable gland with bayonet locking
No. of conductors	1
Type of the screw connection	M25
Shielded	no

Data management status

Article revision	03
------------------	----

Dimensions

Dimensional drawing	
Width	48.7 mm
Height	64 mm
Depth	65.7 mm
Wrench size, union nut	26 mm

Material specifications

Color	black (RAL 9005)
Material Pressure screw	PA
Flammability rating according to UL 94	V0 / V2
Seal material O-ring	NBR
Seal material Cable seal	NBR
Material for screw connection	PA

Cable/line

External cable diameter Cable 1	9 mm ... 17 mm
---------------------------------	----------------

Mechanical properties

Mechanical data

Type of the screw connection	M25
------------------------------	-----

Environmental and real-life conditions

Ambient conditions

Degree of protection	IP66
Enclosure rating (NEMA)	12 (UL 50e)
Ambient temperature (operation)	-40 °C ... 100 °C

HC-B-G-M25-PLRBK - Cable gland

1407670

<https://www.phoenixcontact.com/in/products/1407670>



Mounting

Assembly note

Bayonet locking max. 3x can be removed

HC-B-G-M25-PLRBK - Cable gland

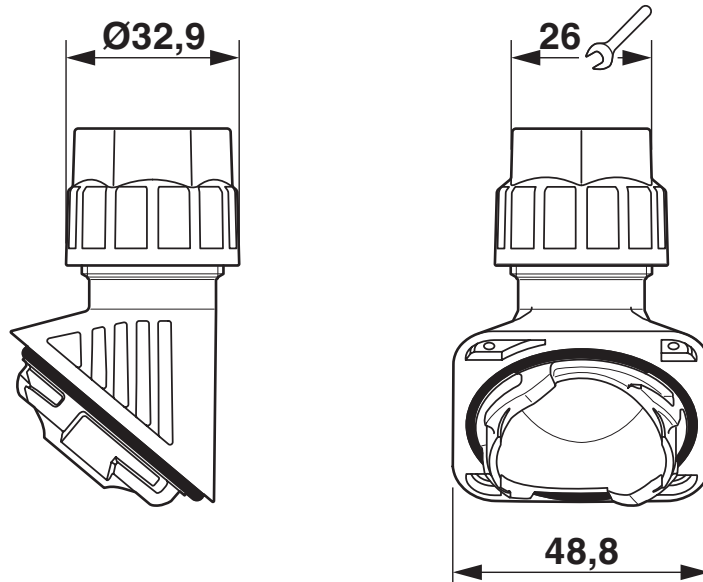
1407670

<https://www.phoenixcontact.com/in/products/1407670>



Drawings

Dimensional drawing



Dimensional drawing

HC-B-G-M25-PLRBK - Cable gland



1407670

<https://www.phoenixcontact.com/in/products/1407670>

Approvals

To download certificates, visit the product detail page: <https://www.phoenixcontact.com/in/products/1407670>

DNV

Approval ID: TAE000037S



cUL Recognized

Approval ID: E255026



UL Recognized

Approval ID: E255026



EAC

Approval ID: RU C-DE.AI30.B.01102



EAC-RoHS

Approval ID: RU D-DE.HB35.B.00387

cULus Recognized

HC-B-G-M25-PLRBK - Cable gland



1407670

<https://www.phoenixcontact.com/in/products/1407670>

Classifications

ECLASS

ECLASS-11.0	27144432
ECLASS-12.0	27140801
ECLASS-13.0	27140801

ETIM

ETIM 9.0	EC000441
----------	----------

UNSPSC

UNSPSC 21.0	39121300
-------------	----------

HC-B-G-M25-PLRBK - Cable gland



1407670

<https://www.phoenixcontact.com/in/products/1407670>

Environmental product compliance

EU RoHS

Fulfills EU RoHS substance requirements	Yes, No exemptions
---	--------------------

China RoHS

Environment friendly use period (EFUP)	EFUP-E
	No hazardous substances above the limits

EU REACH SVHC

REACH candidate substance (CAS No.)	No substance above 0.1 wt%
-------------------------------------	----------------------------

HC-B-G-M25-PLRBK - Cable gland

1407670

<https://www.phoenixcontact.com/in/products/1407670>



Accessories

WP-GR HF CTA M25 BK - Corrugated tube screw connection

3241221

<https://www.phoenixcontact.com/in/products/3241221>



Corrugated pipe adapter, with internal thread, for connecting corrugated pipes to HEAVYCON EVO M25 plastic cable glands or ADVANCE M25 plastic housings, straight, black, IP66.

SEALING PLUG 14X22 RD - Closing cap

1400270

<https://www.phoenixcontact.com/in/products/1400270>



Closing cap, for threads pluggable, color: red

Phoenix Contact 2024 © - all rights reserved

<https://www.phoenixcontact.com>

PHOENIX CONTACT (I) Pvt. Ltd.

A-58/2, Okhla Industrial Area, Phase - II, New Delhi-110 020

+91.1275.71420

info@phoenixcontact.co.in