

# HC-EVO-B10-SHFDC-2SSM32-PLRBK - Housing



1407639

<https://www.phoenixcontact.com/in/products/1407639>

Please be informed that the data shown in this PDF document is generated from our Online Catalog. Please find the complete data in the user documentation. Our General Terms of Use for Downloads are valid.



Box mounting bases B10, for double locking latch, material: PA, protective cover material: PC, cable outlets: 2, lateral, 2x M32, height: 74 mm, cable gland: none, protective cover: yes, Standard

## Product Description

One screw connection opening is closed, however can be opened using a screwdriver

## Your advantages

- Lower costs than metal version
- Low weight
- Lower risk of condensation

## Commercial Data

Item number	1407639
Packing unit	1 pc
Minimum order quantity	1 pc
Sales Key	BF7
Product Key	BF7APL
Catalog Page	Page 612 (C-2-2019)
GTIN	4046356777018
Weight per Piece (including packing)	156.3 g
Weight per Piece (excluding packing)	156.3 g
Customs tariff number	85389099
Country of origin	PL

1407639

<https://www.phoenixcontact.com/in/products/1407639>

## Technical Data

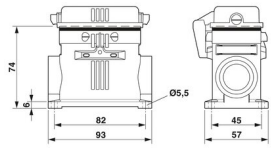
### Notes

General	For contact inserts HC-B10, BB18, DD42, M, K8/24, HV03-I-PT, HC- 3-E...C
---------	--

### Product properties

Type	B10
Product type	Housing with locking latch
Application	Standard
No. of cable outlets	2
Type of the screw connection	2x M32
Housing type	Box mounting bases
Protective cover	yes
Locking type	for double locking latch
Cable outlet	lateral
Pg screw connection	none

### Dimensions

Dimensional drawing	
Width	57 mm
Height	74 mm
Length	93 mm
Hole diameter	5.5 mm

### Material specifications

Color	black
Flammability rating according to UL 94	V0 (Housing) V0 (Protective cover)
Seal material	NBR
Material, protective cover	PC
Impact strength	IK09
Housing material	PA

### Mechanical properties

#### Mechanical data

Type of the screw connection	2x M32
Locking type	Pin

1407639

<https://www.phoenixcontact.com/in/products/1407639>

## Mounting

Assembly instructions	One of the two openings for the screw connections is sealed but can be broken open using a screwdriver.
-----------------------	---

## Environmental and real-life conditions

### Ambient conditions

Degree of protection	IP66 (when plugged in)
	IP54 (with closed protective cover)
	12 (UL 50e)
Impact strength	IK09
Ambient temperature (operation)	-40 °C ... 125 °C

# HC-EVO-B10-SHFDC-2SSM32-PLRBK - Housing

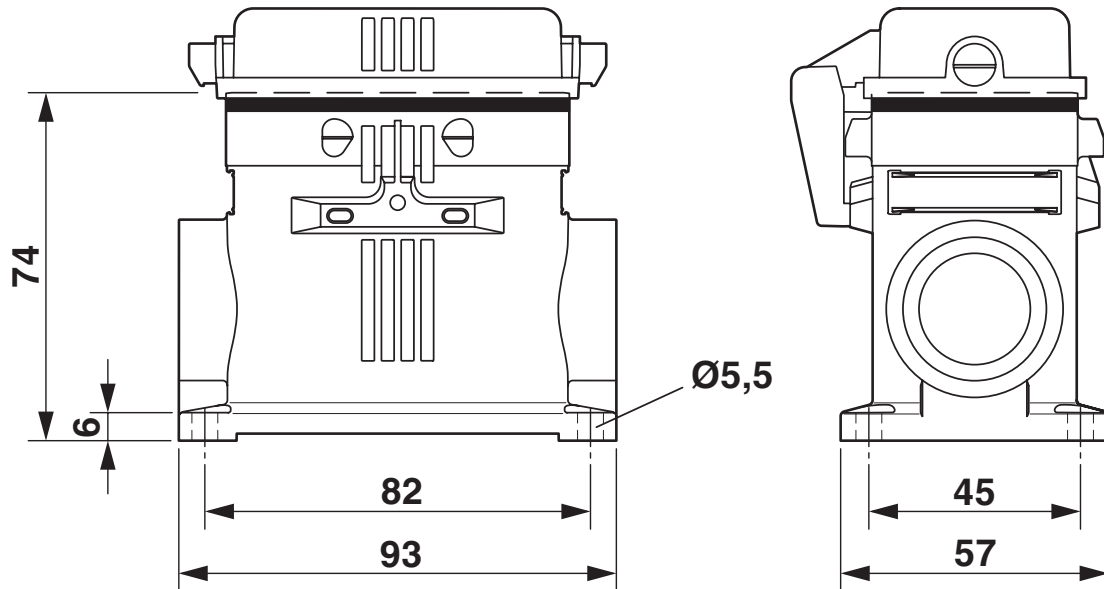


1407639

<https://www.phoenixcontact.com/in/products/1407639>

## Drawings

Dimensional drawing



Dimensional drawing

# HC-EVO-B10-SHFDC-2SSM32-PLRBK - Housing



1407639

<https://www.phoenixcontact.com/in/products/1407639>

## Approvals



**EAC**

Approval ID: RU C-DE.AI30.B.01102



**EAC**

Approval ID: RU C-DE.BL08.B.00511

1407639

<https://www.phoenixcontact.com/in/products/1407639>

## Classifications

### ECLASS

ECLASS-11.0	27440202
ECLASS-12.0	27440202
ECLASS-13.0	27440202

### ETIM

ETIM 8.0	EC000437
----------	----------

### UNSPSC

UNSPSC 21.0	31261500
-------------	----------

# HC-EVO-B10-SHFDC-2SSM32-PLRBK - Housing



1407639

<https://www.phoenixcontact.com/in/products/1407639>

## Environmental Product Compliance

China RoHS	Environmentally friendly use period: unlimited = EFUP-e
	No hazardous substances above threshold values

# HC-EVO-B10-SHFDC-2SSM32-PLRBK - Housing



1407639

<https://www.phoenixcontact.com/in/products/1407639>

## Accessories

### HC-K-KV-M32(12-21)BK - Cable gland

1407673

<https://www.phoenixcontact.com/in/products/1407673>



Plastic screw connection up to 5 bar, thread length: 10 mm, cable diameter: 12 - 21 mm, WAF 36, screw connection: M32

---

### HC-B10-SP-RBK - Profile gasket

1407707

<https://www.phoenixcontact.com/in/products/1407707>



Profile gasket for HEAVYCON EVO supporting base element type B10



# HC-EVO-B10-SHFDC-2SSM32-PLRBK - Housing

1407639

<https://www.phoenixcontact.com/in/products/1407639>



## HC-B10-BC-HI-PLBK - Protective cover

1407693

<https://www.phoenixcontact.com/in/products/1407693>

Protective cover B10, for single locking latch, protective cover material: PC, height: 19.1 mm, seal: no



---

## HC-K-BS-M32-BK - Filler plugs

1410754

<https://www.phoenixcontact.com/in/products/1410754>

Filler plug, plastic, size: M32



# HC-EVO-B10-SHFDC-2SSM32-PLRBK - Housing



1407639

<https://www.phoenixcontact.com/in/products/1407639>

## REDUC-K-KV-M32/M20 BK - Reducing adapter

1410725

<https://www.phoenixcontact.com/in/products/1410725>



Reducing adapter, connecting thread: M32 x 1.5, color: jet black, with flat gasket

---

## REDUC-K-KV-M32/M25 BK - Reducing adapter

1410712

<https://www.phoenixcontact.com/in/products/1410712>



Reducing adapter, connecting thread: M32 x 1.5, color: jet black, with flat gasket

# HC-EVO-B10-SHFDC-2SSM32-PLRBK - Housing



1407639

<https://www.phoenixcontact.com/in/products/1407639>

## US-EMP (20X9) - Snap-in markers

0829439

<https://www.phoenixcontact.com/in/products/0829439>



Snap-in markers, Card, white, unlabeled, can be labeled with: BLUEMARK ID COLOR, BLUEMARK ID, THERMOMARK PRIME, THERMOMARK CARD 2.0, THERMOMARK CARD, mounting type: snapped, lettering field size: 20 x 9 mm, Number of individual labels: 70

---

## G-INS-M32-M68N-PNES-BK - Cable gland

1411136

<https://www.phoenixcontact.com/in/products/1411136>



Cable gland, material for screw connection: PA, external cable diameter 15 mm .  
.. 21 mm, shielding: no, connecting thread: M32 x 1.5, color: jet black RAL 9005

# HC-EVO-B10-SHFDC-2SSM32-PLRBK - Housing

1407639

<https://www.phoenixcontact.com/in/products/1407639>



## US-EMP (20X9) CUS - Snap-in markers

0830028

<https://www.phoenixcontact.com/in/products/0830028>

Snap-in markers, can be ordered: by card, white, labeled according to customer specifications, mounting type: snapped into marker carrier, lettering field size: 20 x 9 mm, Number of individual labels: 70



---

Phoenix Contact 2023 © - all rights reserved

<https://www.phoenixcontact.com>

PHOENIX CONTACT (I) Pvt. Ltd.

A-58/2, Okhla Industrial Area, Phase - II, New Delhi-110 020

+91.1275.71420

[info@phoenixcontact.co.in](mailto:info@phoenixcontact.co.in)