

# HC-EVO-B10-BFDC-PLRBK - Housing



1407635

<https://www.phoenixcontact.com/in/products/1407635>

Please be informed that the data shown in this PDF document is generated from our Online Catalog. Please find the complete data in the user documentation. Our General Terms of Use for Downloads are valid.



Panel mounting base B10, for double locking latch, material: PA, protective cover material: PC, height: 30.5 mm, cable gland: none, protective cover: yes, Standard, with flat gasket

## Your advantages

- Lower costs than metal version
- Low weight
- Lower risk of condensation

## Commercial Data

Item number	1407635
Packing unit	1 pc
Minimum order quantity	1 pc
Sales Key	BF7
Product Key	BF7APL
Catalog Page	Page 612 (C-2-2019)
GTIN	4046356776974
Weight per Piece (including packing)	90.1 g
Weight per Piece (excluding packing)	90.1 g
Customs tariff number	85389099
Country of origin	PL

# HC-EVO-B10-BFDC-PLRBK - Housing



1407635

<https://www.phoenixcontact.com/in/products/1407635>

## Technical Data

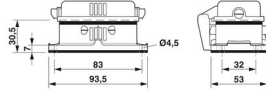
### Notes

General	For contact inserts HC-B10, BB18, DD42, M, K8/24, HV03-I-PT, HC- 3-E...C
---------	--

### Product properties

Type	B10
Product type	Housing with locking latch
Application	Standard
Housing type	Panel mounting base
Protective cover	yes
Locking type	for double locking latch
Pg screw connection	none

### Dimensions

Dimensional drawing	
Width	53 mm
Height	30.5 mm
Length	93.5 mm
Hole diameter	4.5 mm

### Installation dimensions

Width of the assembly cutout	35 mm
Length of the assembly cutout	65 mm

### Material specifications

Color	black
Flammability rating according to UL 94	V0 (Housing) V0 (Protective cover)
Seal material	NBR NBR
Material, protective cover	PC
Impact strength	IK09
Housing material	PA

### Mechanical properties

#### Mechanical data

Locking type	Pin
--------------	-----

### Mounting

# HC-EVO-B10-BFDC-PLRBK - Housing



1407635

<https://www.phoenixcontact.com/in/products/1407635>

Assembly instructions	Not for D series terminal adapters
	Not for HC-B 24-ADP-B..... adapter plates

## Environmental and real-life conditions

### Ambient conditions

Degree of protection	IP66 (when plugged in)
	IP54 (with closed protective cover)
	12 (UL 50e)
Impact strength	IK09
Ambient temperature (operation)	-40 °C ... 125 °C

# HC-EVO-B10-BFDC-PLRBK - Housing

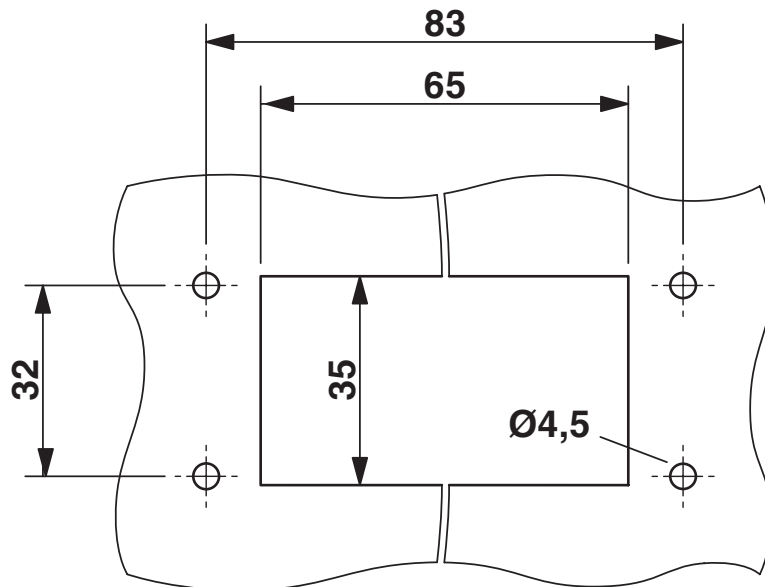


1407635

<https://www.phoenixcontact.com/in/products/1407635>

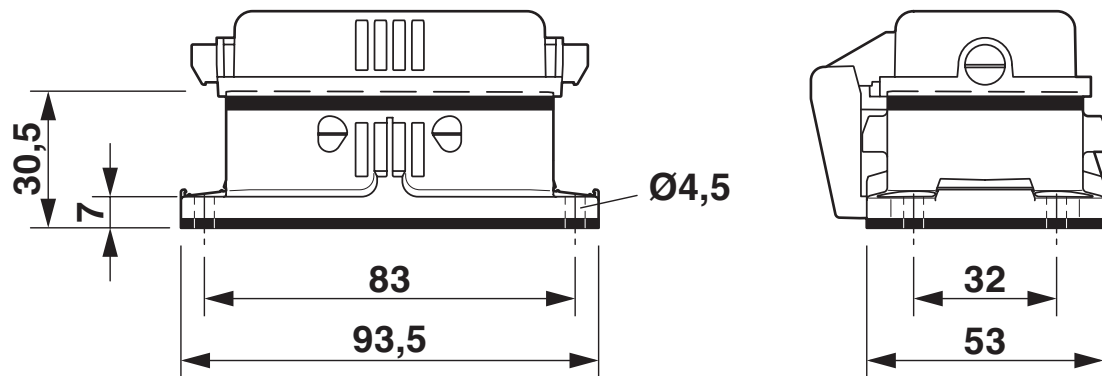
## Drawings

Dimensional drawing



Mounting cutout

Dimensional drawing



Dimensional drawing

# HC-EVO-B10-BFDC-PLRBK - Housing

1407635

<https://www.phoenixcontact.com/in/products/1407635>



## Approvals



**EAC**

Approval ID: RU C-DE.AI30.B.01102

# HC-EVO-B10-BFDC-PLRBK - Housing



1407635

<https://www.phoenixcontact.com/in/products/1407635>

## Classifications

### ECLASS

ECLASS-11.0	27440202
ECLASS-12.0	27440202
ECLASS-13.0	27440202

### ETIM

ETIM 8.0	EC000437
----------	----------

### UNSPSC

UNSPSC 21.0	31261500
-------------	----------

# HC-EVO-B10-BFDC-PLRBK - Housing



1407635

<https://www.phoenixcontact.com/in/products/1407635>

## Environmental Product Compliance

China RoHS	Environmentally friendly use period: unlimited = EFUP-e No hazardous substances above threshold values
------------	---

# HC-EVO-B10-BFDC-PLRBK - Housing

1407635

<https://www.phoenixcontact.com/in/products/1407635>

## Accessories

### HC-B10-SG-RBK - Flat gasket

1407703

<https://www.phoenixcontact.com/in/products/1407703>

Replacement flat gasket, for HEAVYCON EVO panel mounting base type B10



### HC-B10-SP-RBK - Profile gasket

1407707

<https://www.phoenixcontact.com/in/products/1407707>

Profile gasket for HEAVYCON EVO supporting base element type B10





# HC-EVO-B10-BFDC-PLRBK - Housing

1407635

<https://www.phoenixcontact.com/in/products/1407635>



## HC-B10-BC-HI-PLBK - Protective cover

1407693

<https://www.phoenixcontact.com/in/products/1407693>

Protective cover B10, for single locking latch, protective cover material: PC, height: 19.1 mm, seal: no



---

## US-EMP (20X9) - Snap-in markers

0829439

<https://www.phoenixcontact.com/in/products/0829439>

Snap-in markers, Card, white, unlabeled, can be labeled with: BLUEMARK ID COLOR, BLUEMARK ID, THERMOMARK PRIME, THERMOMARK CARD 2.0, THERMOMARK CARD, mounting type: snapped, lettering field size: 20 x 9 mm, Number of individual labels: 70



# HC-EVO-B10-BFDC-PLRBK - Housing

1407635

<https://www.phoenixcontact.com/in/products/1407635>



## US-EMP (20X9) CUS - Snap-in markers

0830028

<https://www.phoenixcontact.com/in/products/0830028>

Snap-in markers, can be ordered: by card, white, labeled according to customer specifications, mounting type: snapped into marker carrier, lettering field size: 20 x 9 mm, Number of individual labels: 70



---

Phoenix Contact 2023 © - all rights reserved

<https://www.phoenixcontact.com>

PHOENIX CONTACT (I) Pvt. Ltd.

A-58/2, Okhla Industrial Area, Phase - II, New Delhi-110 020

+91.1275.71420

[info@phoenixcontact.co.in](mailto:info@phoenixcontact.co.in)