

HC-EVO-B10-BWS-PLRBK - Housing



1407632

<https://www.phoenixcontact.com/in/products/1407632>

Please be informed that the data shown in this PDF document is generated from our Online Catalog. Please find the complete data in the user documentation. Our General Terms of Use for Downloads are valid.



HEAVYCON EVO panel mounting base, plastic, B10, with single locking latch, height: 30.5 mm, with flat gasket

Your advantages

- Lower costs than metal version
- Low weight
- Lower risk of condensation

Commercial Data

Item number	1407632
Packing unit	1 pc
Minimum order quantity	1 pc
Sales Key	BF7
Product Key	BF7APL
Catalog Page	Page 604 (C-2-2019)
GTIN	4046356776943
Weight per Piece (including packing)	81.5 g
Weight per Piece (excluding packing)	75.6 g
Customs tariff number	85389099
Country of origin	PL

HC-EVO-B10-BWS-PLRBK - Housing



1407632

<https://www.phoenixcontact.com/in/products/1407632>

Technical Data

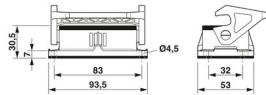
Notes

General	For contact inserts HC-B10, BB18, DD42, M, K8/24, HV03-I-PT, HC- 3-E...C
---------	--

Product properties

Type	B10
Product type	Housing with locking latch
Application	Standard
Housing type	Panel mounting base
Locking type	with single locking latch
Pg screw connection	none

Dimensions

Dimensional drawing	
Width	53 mm
Height	30.5 mm
Length	93.5 mm
Drill hole distance, horizontal	83 mm
Drill hole distance, vertical	32 mm
Hole diameter	4.5 mm

Installation dimensions

Width of the assembly cutout	35 mm
Length of the assembly cutout	65 mm

Material specifications

Color	black
Flammability rating according to UL 94	V0 (Housing) V0 (Interlock)
Seal material	NBR NBR
Locking latch material	PA
Impact strength	IK08
Housing material	PA

Mechanical properties

Mechanical data

Locking type	Latch
--------------	-------

HC-EVO-B10-BWS-PLRBK - Housing



1407632

<https://www.phoenixcontact.com/in/products/1407632>

Mounting

Assembly instructions	Not for D series terminal adapters
	Not for HC-B 24-ADP-B..... adapter plates

Environmental and real-life conditions

Ambient conditions

Degree of protection	IP66
	12 (UL 50e)
Impact strength	IK08
Ambient temperature (operation)	-40 °C ... 125 °C

HC-EVO-B10-BWS-PLRBK - Housing

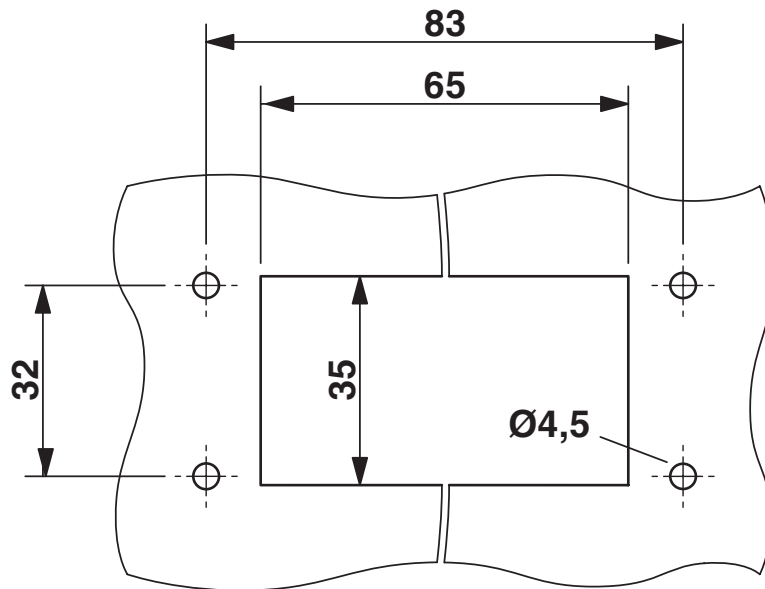


1407632

<https://www.phoenixcontact.com/in/products/1407632>

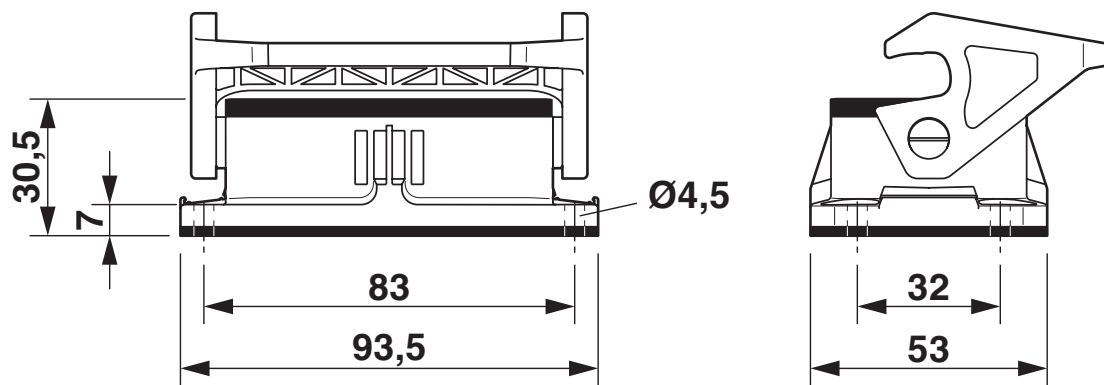
Drawings

Dimensional drawing



Mounting cutout

Dimensional drawing



Dimensional drawing

HC-EVO-B10-BWS-PLRBK - Housing



1407632

<https://www.phoenixcontact.com/in/products/1407632>

Approvals



cUL Recognized
Approval ID: E255026



UL Recognized
Approval ID: E255026



EAC
Approval ID: RU C-DE.AI30.B.01102



EAC
Approval ID: RU C-DE.BL08.B.00511

HC-EVO-B10-BWS-PLRBK - Housing



1407632

<https://www.phoenixcontact.com/in/products/1407632>

Classifications

ECLASS

ECLASS-11.0	27440202
ECLASS-12.0	27440202
ECLASS-13.0	27440202

ETIM

ETIM 8.0	EC000437
----------	----------

UNSPSC

UNSPSC 21.0	31261500
-------------	----------

HC-EVO-B10-BWS-PLRBK - Housing



1407632

<https://www.phoenixcontact.com/in/products/1407632>

Environmental Product Compliance

China RoHS	Environmentally friendly use period: unlimited = EFUP-e
	No hazardous substances above threshold values

HC-EVO-B10-BWS-PLRBK - Housing

1407632

<https://www.phoenixcontact.com/in/products/1407632>

Accessories

HC-B10-SG-RBK - Flat gasket

1407703

<https://www.phoenixcontact.com/in/products/1407703>

Replacement flat gasket, for HEAVYCON EVO panel mounting base type B10



HC-B10-SP-RBK - Profile gasket

1407707

<https://www.phoenixcontact.com/in/products/1407707>

Profile gasket for HEAVYCON EVO supporting base element type B10



HC-EVO-B10-BWS-PLRBK - Housing



1407632

<https://www.phoenixcontact.com/in/products/1407632>

HC-B10-SL-PLBK - Housing brackets

1407698

<https://www.phoenixcontact.com/in/products/1407698>



Replacement single locking latch for HEAVYCON EVO housing type B10, PA

US-EMP (20X9) - Snap-in markers

0829439

<https://www.phoenixcontact.com/in/products/0829439>



Snap-in markers, Card, white, unlabeled, can be labeled with: BLUEMARK ID COLOR, BLUEMARK ID, THERMOMARK PRIME, THERMOMARK CARD 2.0, THERMOMARK CARD, mounting type: snapped, lettering field size: 20 x 9 mm, Number of individual labels: 70

HC-EVO-B10-BWS-PLRBK - Housing

1407632

<https://www.phoenixcontact.com/in/products/1407632>



HC-B10-BC-HI-PLBK - Protective cover

1407693

<https://www.phoenixcontact.com/in/products/1407693>

Protective cover B10, for single locking latch, protective cover material: PC, height: 19.1 mm, seal: no



HC-B10-BCFD-P-BK - Protective cover

1346527

<https://www.phoenixcontact.com/in/products/1346527>

Protective cover B10, for double locking latch, protective cover material: PC, height: 26.3 mm, seal: no



HC-EVO-B10-BWS-PLRBK - Housing

1407632

<https://www.phoenixcontact.com/in/products/1407632>



US-EMP (20X9) CUS - Snap-in markers

0830028

<https://www.phoenixcontact.com/in/products/0830028>

Snap-in markers, can be ordered: by card, white, labeled according to customer specifications, mounting type: snapped into marker carrier, lettering field size: 20 x 9 mm, Number of individual labels: 70



Phoenix Contact 2023 © - all rights reserved

<https://www.phoenixcontact.com>

PHOENIX CONTACT (I) Pvt. Ltd.

A-58/2, Okhla Industrial Area, Phase - II, New Delhi-110 020

+91.1275.71420

info@phoenixcontact.co.in