

# HC-EVO-B06-BWS-PLRBK - Housing



1407621

<https://www.phoenixcontact.com/in/products/1407621>

Please be informed that the data shown in this PDF document is generated from our Online Catalog. Please find the complete data in the user documentation. Our General Terms of Use for Downloads are valid.



HEAVYCON EVO panel mounting base, plastic, B6, with single locking latch, height: 30.5 mm, with flat gasket

## Your advantages

- Lower costs than metal version
- Low weight
- Lower risk of condensation

## Commercial Data

Item number	1407621
Packing unit	1 pc
Minimum order quantity	1 pc
Sales Key	BF7
Product Key	BF7APL
Catalog Page	Page 598 (C-2-2019)
GTIN	4046356776837
Weight per Piece (including packing)	65.2 g
Weight per Piece (excluding packing)	64.4 g
Customs tariff number	85389099
Country of origin	PL

1407621

<https://www.phoenixcontact.com/in/products/1407621>

## Technical Data

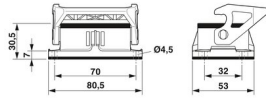
### Notes

General	For contact inserts HC-B6, BB10, DD24, M. Not for D series terminal adapters.
---------	---

### Product properties

Type	B6
Product type	Housing with locking latch
Application	Standard
Housing type	Panel mounting base
Locking type	with single locking latch
Pg screw connection	none

### Dimensions

Dimensional drawing	
Width	53 mm
Height	30.5 mm
Length	80.5 mm
Drill hole distance, horizontal	70 mm
Drill hole distance, vertical	32 mm
Hole diameter	4.5 mm

### Installation dimensions

Width of the assembly cutout	35 mm
Length of the assembly cutout	52 mm

### Material specifications

Color	black
Flammability rating according to UL 94	V0 (Housing) V0 (Interlock)
Seal material	NBR NBR
Locking latch material	PA
Impact strength	IK08
Housing material	PA

### Mechanical properties

#### Mechanical data

Locking type	Latch
--------------	-------

# HC-EVO-B06-BWS-PLRBK - Housing



1407621

<https://www.phoenixcontact.com/in/products/1407621>

## Mounting

Assembly instructions	Not for D series terminal adapters
	Not for HC-B 24-ADP-B..... adapter plates

## Environmental and real-life conditions

### Ambient conditions

Degree of protection	IP66
	12 (UL 50e)
Impact strength	IK08
Ambient temperature (operation)	-40 °C ... 125 °C

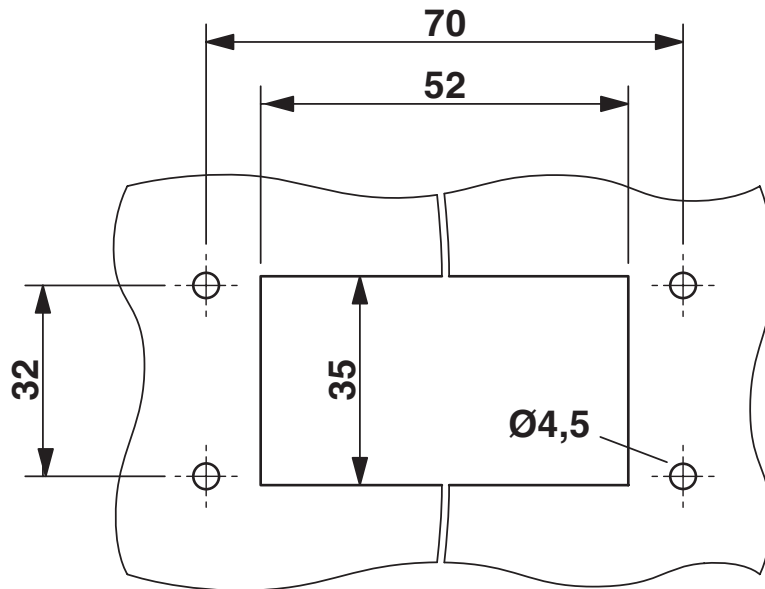
# HC-EVO-B06-BWS-PLRBK - Housing

1407621

<https://www.phoenixcontact.com/in/products/1407621>

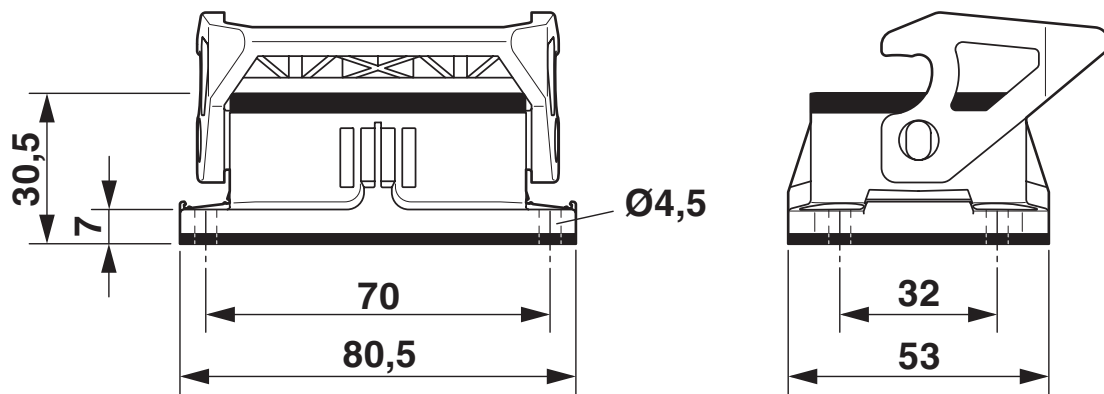
## Drawings

Dimensional drawing



Mounting cutout

Dimensional drawing



Dimensional drawing

1407621

<https://www.phoenixcontact.com/in/products/1407621>

## Approvals



**cUL Recognized**

Approval ID: E255026



**UL Recognized**

Approval ID: E255026



**EAC**

Approval ID: RU C-DE.AI30.B.01102



**EAC**

Approval ID: RU C-DE.BL08.B.00511

# HC-EVO-B06-BWS-PLRBK - Housing



1407621

<https://www.phoenixcontact.com/in/products/1407621>

## Classifications

### ECLASS

ECLASS-11.0	27440202
ECLASS-12.0	27440202
ECLASS-13.0	27440202

### ETIM

ETIM 8.0	EC000437
----------	----------

### UNSPSC

UNSPSC 21.0	31261500
-------------	----------

# HC-EVO-B06-BWS-PLRBK - Housing



1407621

<https://www.phoenixcontact.com/in/products/1407621>

## Environmental Product Compliance

China RoHS	Environmentally friendly use period: unlimited = EFUP-e No hazardous substances above threshold values
------------	---

# HC-EVO-B06-BWS-PLRBK - Housing

1407621

<https://www.phoenixcontact.com/in/products/1407621>

## Accessories

### HC-B06-SG-RBK - Flat gasket

1407702

<https://www.phoenixcontact.com/in/products/1407702>

Replacement flat gasket, for HEAVYCON EVO panel mounting base type B6



### HC-B06-SL-PLBK - Housing brackets

1407697

<https://www.phoenixcontact.com/in/products/1407697>

Replacement single locking latch for HEAVYCON EVO housing type B6, PA





# HC-EVO-B06-BWS-PLRBK - Housing

1407621

<https://www.phoenixcontact.com/in/products/1407621>



## HC-B06-SP-RBK - Profile gasket

1407706

<https://www.phoenixcontact.com/in/products/1407706>

Profile gasket for HEAVYCON EVO supporting base element type B6



---

## US-EMP (20X9) - Snap-in markers

0829439

<https://www.phoenixcontact.com/in/products/0829439>

Snap-in markers, Card, white, unlabeled, can be labeled with: BLUEMARK ID COLOR, BLUEMARK ID, THERMOMARK PRIME, THERMOMARK CARD 2.0, THERMOMARK CARD, mounting type: snapped, lettering field size: 20 x 9 mm, Number of individual labels: 70



# HC-EVO-B06-BWS-PLRBK - Housing

1407621

<https://www.phoenixcontact.com/in/products/1407621>



## HC-B06-BC-HI-PLBK - Protective cover

1407692

<https://www.phoenixcontact.com/in/products/1407692>

Protective cover B6, for single locking latch, protective cover material: PC, height: 19 mm, seal: no



---

## HC-B06-BCFS-P-BK - Protective cover

1346524

<https://www.phoenixcontact.com/in/products/1346524>

Protective cover B6, for single locking latch, protective cover material: PC, height: 26.3 mm, seal: no



# HC-EVO-B06-BWS-PLRBK - Housing

1407621

<https://www.phoenixcontact.com/in/products/1407621>



## US-EMP (20X9) CUS - Snap-in markers

0830028

<https://www.phoenixcontact.com/in/products/0830028>

Snap-in markers, can be ordered: by card, white, labeled according to customer specifications, mounting type: snapped into marker carrier, lettering field size: 20 x 9 mm, Number of individual labels: 70



---

Phoenix Contact 2023 © - all rights reserved

<https://www.phoenixcontact.com>

PHOENIX CONTACT (I) Pvt. Ltd.

A-58/2, Okhla Industrial Area, Phase - II, New Delhi-110 020

+91.1275.71420

[info@phoenixcontact.co.in](mailto:info@phoenixcontact.co.in)