

# SI-FP-R1A-U1A-D1A - Front plate



1404497

<https://www.phoenixcontact.com/in/products/1404497>

Please be informed that the data shown in this PDF document is generated from our online catalog. Please find the complete data in the user documentation. Our general terms of use for downloads are valid.



Front plate with contact inserts, plastic with shroud, 1 x RJ45, 8-pos. metal, CAT5e (socket/socket); 1 x USB (socket/socket) type A; 1 x 9-pos. D-SUB (socket/socket)

## Commercial data

Item number	1404497
Packing unit	1 pc
Minimum order quantity	1 pc
Sales key	BF7
Product key	BF7EDX
Catalog page	Page 710 (C-2-2019)
GTIN	4046356698405
Weight per piece (including packing)	76 g
Weight per piece (excluding packing)	75.8 g
Customs tariff number	85366990
Country of origin	CZ

# SI-FP-R1A-U1A-D1A - Front plate

1404497

<https://www.phoenixcontact.com/in/products/1404497>

## Technical data

### Notes

Assembly note	Strain relief USB internal: cable tie
---------------	---------------------------------------

### Product properties

Product type	Data front plate
Number of slots	3
Shielded	yes

### Data management status

Article revision	00
------------------	----

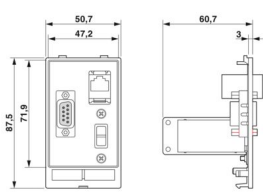
### Electrical properties

Rated voltage (III/3)	max. 48 V AC/DC (D-SUB 9, USB A)
	max. 42.4 V DC (D-SUB 9, USB A, RJ45, UL rating)
	max. 30 V AC (D-SUB 9, USB A, RJ45, UL rating)
Rated current	3 A (D-SUB 9)
	1.5 A (USB A)
	max. 175 mA (RJ45, UL rating)

### Connection data

Tightening torque	0.8 ... 1 Nm
-------------------	--------------

### Dimensions

Dimensional drawing	
Width	50.7 mm
Height	87.5 mm
Depth	60 mm

### Material specifications

Material Front plate	PBT (Front plate)
----------------------	-------------------

### Connector

Contact insert design	with 1x D-SUB 9 Socket/socket, slot locking UNC 4...40 bolts
	with 1x RJ45 Socket/socket, snap-in slot locking
	with 1x USB A 3.0 Socket/socket, snap-in slot locking

### Environmental and real-life conditions

# SI-FP-R1A-U1A-D1A - Front plate



1404497

<https://www.phoenixcontact.com/in/products/1404497>

## Ambient conditions

Degree of protection	IP20
Ambient temperature (operation)	-10 °C ... 60 °C

## Mounting

Assembly note	suitable for all mounting frames
---------------	----------------------------------

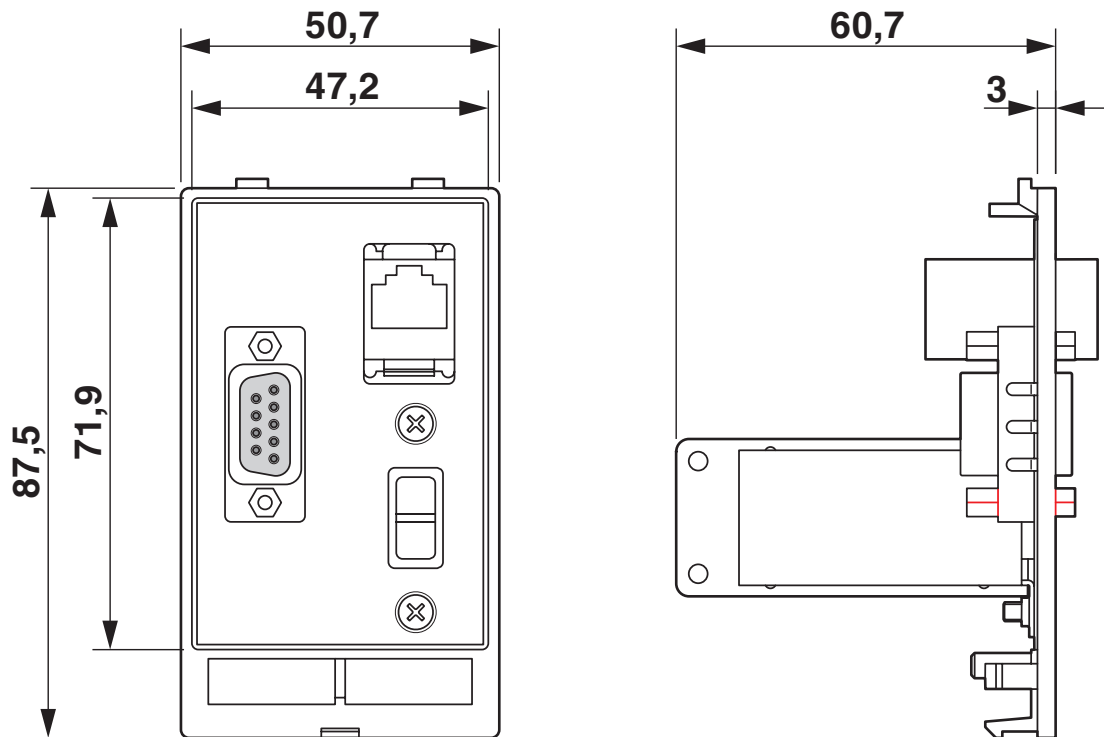
# SI-FP-R1A-U1A-D1A - Front plate

1404497

<https://www.phoenixcontact.com/in/products/1404497>

## Drawings

Dimensional drawing



Dimensional drawing

# SI-FP-R1A-U1A-D1A - Front plate



1404497

<https://www.phoenixcontact.com/in/products/1404497>

## Approvals

To download certificates, visit the product detail page: <https://www.phoenixcontact.com/in/products/1404497>



**cUL Recognized**

Approval ID: E238705



**UL Recognized**

Approval ID: E238705



**EAC**

Approval ID: RU C-DE.A\*30.B.01102

**cULus Recognized**

# SI-FP-R1A-U1A-D1A - Front plate



1404497

<https://www.phoenixcontact.com/in/products/1404497>

## Classifications

### ECLASS

ECLASS-11.0	27182806
ECLASS-12.0	27182806
ECLASS-13.0	27182806

### ETIM

ETIM 9.0	EC000456
----------	----------

### UNSPSC

UNSPSC 21.0	39121300
-------------	----------

# SI-FP-R1A-U1A-D1A - Front plate



1404497

<https://www.phoenixcontact.com/in/products/1404497>

## Environmental product compliance

### EU RoHS

Fulfills EU RoHS substance requirements	Yes
Exemption	6(c)

### China RoHS

Environment friendly use period (EFUP)	EFUP-50
	An article-related China RoHS declaration table can be found in the download area for the respective article under "Manufacturer declaration". For all articles with EFUP-E, no China RoHS declaration table issued and required.

### EU REACH SVHC

REACH candidate substance (CAS No.)	Lead(CAS: 7439-92-1)
SCIP	08e64989-395e-40f6-b52c-a1ac94ae555f

# SI-FP-R1A-U1A-D1A - Front plate



1404497

<https://www.phoenixcontact.com/in/products/1404497>

## Accessories

### UCT-EM (20X7) - Snap-in markers

0801494

<https://www.phoenixcontact.com/in/products/0801494>



Snap-in markers, Sheet, white, unlabeled, can be labeled with: TOPMARK NEO, TOPMARK LASER, BLUEMARK ID COLOR, BLUEMARK ID, BLUEMARK CLED, THERMOMARK PRIME, THERMOMARK CARD 2.0, THERMOMARK CARD, mounting type: snapped, lettering field size: 20 x 7 mm, Number of individual labels: 24

---

### UC-EM (20X7) - Snap-in markers

0825499

<https://www.phoenixcontact.com/in/products/0825499>



Snap-in markers, Sheet, white, unlabeled, can be labeled with: BLUEMARK ID COLOR, BLUEMARK ID, BLUEMARK CLED, PLOTMARK, CMS-P1-PLOTTER, mounting type: snapped, lettering field size: 20 x 7 mm, Number of individual labels: 20



# SI-FP-R1A-U1A-D1A - Front plate

1404497

<https://www.phoenixcontact.com/in/products/1404497>



## VS-SI-BZ - Marker labels

1656660

<https://www.phoenixcontact.com/in/products/1656660>

Marker label, plastic, plate with 20 labels



---

Phoenix Contact 2024 © - all rights reserved

<https://www.phoenixcontact.com>

PHOENIX CONTACT (I) Pvt. Ltd.

A-58/2, Okhla Industrial Area, Phase - II, New Delhi-110 020

+91.1275.71420

[info@phoenixcontact.co.in](mailto:info@phoenixcontact.co.in)