

PLT-EE-T3-BE-R - Type 3 surge protection base element

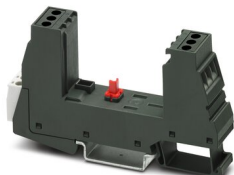


1249061

<https://www.phoenixcontact.com/in/products/1249061>

Please be informed that the data shown in this PDF document is generated from our Online Catalog. Please find the complete data in the user documentation. Our General Terms of Use for Downloads are valid.

Base element for protective plugs from the PLT-EE product range with remote indication contact.



Commercial Data

Item number	1249061
Packing unit	10 pc
Minimum order quantity	1 pc
Sales Key	CL1
Product Key	CL14B1
GTIN	4063151350796
Weight per Piece (including packing)	52.34 g
Weight per Piece (excluding packing)	48 g
Customs tariff number	85363030
Country of origin	DE

PLT-EE-T3-BE-R - Type 3 surge protection base element



1249061

<https://www.phoenixcontact.com/in/products/1249061>

Technical Data

Product properties

IEC power supply system	TN-S TT
Type	DIN rail module, two-section, divisible
Product type	Base element
Number of positions	2
Surge protection fault message	Remote indication contact

Insulation characteristics

Overvoltage category	III
Pollution degree	2
IEC test classification	III T3
EN type	T3
Number of ports	One

Electrical properties

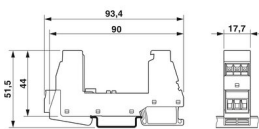
Indicator/remote signaling

Connection name	Remote fault indicator contact
Switching function	Changeover contact
Operating voltage	250 V AC 125 V DC (200 mA DC)
Operating current	0.5 A AC 0.5 A DC (75 V DC)

Connection data

Connection method	Screw connection
Screw thread	M3
Tightening torque	0.5 Nm
Conductor cross section flexible	0.2 mm ² ... 2.5 mm ²
Conductor cross section rigid	0.2 mm ² ... 4 mm ²
Conductor cross section AWG	24 ... 12

Dimensions

Dimensional drawing	
Width	17.7 mm
Height	93.4 mm

PLT-EE-T3-BE-R - Type 3 surge protection base element



1249061

<https://www.phoenixcontact.com/in/products/1249061>

Depth	51.5 mm (incl. DIN rail 7.5 mm)
Horizontal pitch	1 Div.

Material specifications

Color	light grey RAL 7035
	traffic grey B RAL 7043
Flammability rating according to UL 94	V-0
CTI value of material	600
Insulating material	PA 6.6-FR 20 % GF
	PA 6.6-FR
Housing material	PA 6.6-FR 20 % GF
	PA 6.6-FR

Mechanical properties

Mechanical data

Open side panel	No
-----------------	----

Protective circuit

Direction of action	1L-N & N-PE
Nominal voltage U_N	240 V AC (TN-S)
	240 V AC (TT)
Nominal frequency f_N	50 Hz (60 Hz)
Maximum continuous voltage U_C	264 V AC
Rated load current I_L	16 A (at 63 °C)
Short-circuit current rating I_{SCCR}	6 kA AC
Max. backup fuse with branch wiring	depends on the plug used

Environmental and real-life conditions

Ambient conditions

Degree of protection	IP20
Ambient temperature (operation)	-40 °C ... 80 °C
Ambient temperature (storage/transport)	-40 °C ... 80 °C
Altitude	≤ 2000 m (amsl (above mean sea level))
Permissible humidity (operation)	5 % ... 95 %
Shock (operation)	30g (Half-sine / 11 ms / 3x ±X, ±Y, ±Z)
Vibration (operation)	5g (5 ... 500 Hz / 2.5 h / X, Y, Z)

Standards and regulations

Standards/specifications	IEC 61643-11
Standards/specifications	EN 61643-11

Mounting

Mounting type	DIN rail: 35 mm
---------------	-----------------

PLT-EE-T3-BE-R - Type 3 surge protection base element

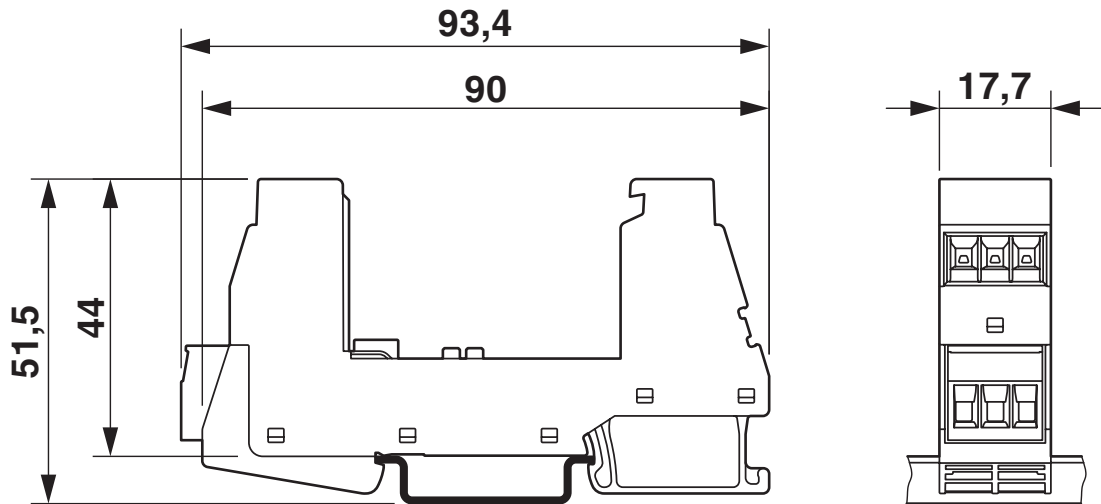


1249061

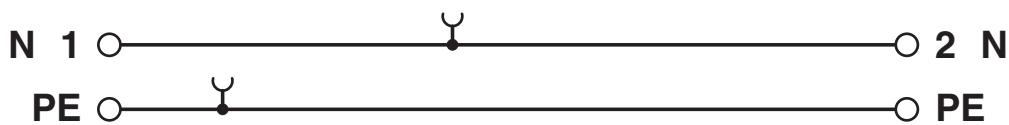
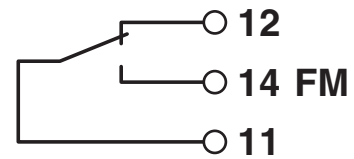
<https://www.phoenixcontact.com/in/products/1249061>

Drawings

Dimensional drawing



Circuit diagram

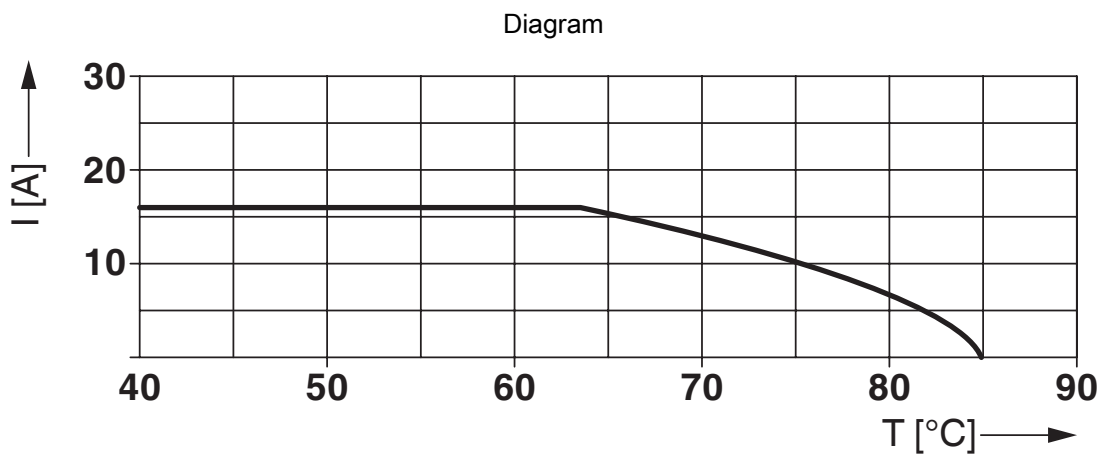


PLT-EE-T3-BE-R - Type 3 surge protection base element



1249061

<https://www.phoenixcontact.com/in/products/1249061>



Nominal current depending on ambient temperature

PLT-EE-T3-BE-R - Type 3 surge protection base element



1249061

<https://www.phoenixcontact.com/in/products/1249061>

Classifications

ECLASS

ECLASS-11.0

27130803

ETIM

ETIM 8.0

EC000472

UNSPSC

UNSPSC 21.0

39121600

PLT-EE-T3-BE-R - Type 3 surge protection base element

1249061

<https://www.phoenixcontact.com/in/products/1249061>

Accessories

PLT-EE-T3-24DC-P - Type 3 surge protection plug

1249053

<https://www.phoenixcontact.com/in/products/1249053>



Replacement plug for type 3 surge protection from the PLT-EE product range.
24 V nominal voltage

PLT-EE-T3-60AC-P - Type 3 surge protection plug

1249055

<https://www.phoenixcontact.com/in/products/1249055>



Replacement plug for type 3 surge protection from the PLT-EE product range.
60 V nominal voltage

PLT-EE-T3-BE-R - Type 3 surge protection base element

1249061

<https://www.phoenixcontact.com/in/products/1249061>

PLT-EE-T3-120AC-P - Type 3 surge protection plug

1249057

<https://www.phoenixcontact.com/in/products/1249057>



Replacement plug for type 3 surge protection from the PLT-EE product range.
120 V nominal voltage

PLT-EE-T3-230AC-P - Type 3 surge protection plug

1249059

<https://www.phoenixcontact.com/in/products/1249059>



Replacement plug for type 3 surge protection from the PLT-EE product range.
230 V nominal voltage

Phoenix Contact 2023 © - all rights reserved
<https://www.phoenixcontact.com>

PHOENIX CONTACT (I) Pvt. Ltd.
A-58/2, Okhla Industrial Area, Phase - II, New Delhi-110 020

+91.1275.71420
info@phoenixcontact.co.in