

# PLT-EE-T3-230AC-P - Type 3 surge protection plug



1249059

<https://www.phoenixcontact.com/in/products/1249059>

Please be informed that the data shown in this PDF document is generated from our Online Catalog. Please find the complete data in the user documentation. Our General Terms of Use for Downloads are valid.



Replacement plug for type 3 surge protection from the PLT-EE product range. 230 V nominal voltage

## Commercial Data

Item number	1249059
Packing unit	10 pc
Minimum order quantity	1 pc
Sales Key	CL1
Product Key	CL14B1
GTIN	4063151351724
Weight per Piece (including packing)	39.16 g
Weight per Piece (excluding packing)	33 g
Customs tariff number	85363090
Country of origin	DE

# PLT-EE-T3-230AC-P - Type 3 surge protection plug



1249059

<https://www.phoenixcontact.com/in/products/1249059>

## Technical Data

### Product properties

IEC power supply system	TN-S
	TT
Type	Male
Product type	Replacement plug
Number of positions	2
Surge protection fault message	optical

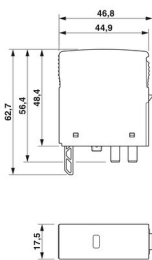
### Insulation characteristics

Overvoltage category	III
Pollution degree	2
IEC test classification	III
	T3
EN type	T3
Number of ports	One

### Connection data

Connection method	pluggable
-------------------	-----------

### Dimensions

Dimensional drawing	
Width	17.7 mm
Height	46.8 mm
Depth	62.7 mm
Horizontal pitch	1 Div.

### Material specifications

Color	traffic grey B RAL 7043
Flammability rating according to UL 94	V-0
CTI value of material	600
Insulating material	PA 6.6-FR 20 % GF
	PA 6.6-FR
Housing material	PA 6.6-FR 20 % GF
	PA 6.6-FR

## Protective circuit

Mode of protection	L-N
	L-PE
	N-PE
Direction of action	1L-N & N-PE
Nominal voltage $U_N$	240 V AC (TN-S)
	240 V AC (TT)
Nominal frequency $f_N$	50 Hz (60 Hz)
Maximum continuous voltage $U_C$	264 V AC
Residual current $I_{PE}$	$\leq 5 \mu\text{A}$
Standby power consumption $P_C$	$\leq 26.4 \text{ mVA}$ (at $U_{REF}$ )
	$\leq 26.4 \text{ mVA}$ (at $U_C$ )
Reference test voltage $U_{REF}$	264 V AC
Nominal discharge current $I_n$ (8/20) $\mu\text{s}$	3 kA
Maximum discharge current $I_{max}$ (8/20) $\mu\text{s}$	6 kA
Combination wave $U_{OC}$	6 kV
Voltage protection level $U_p$ (L-N)	$\leq 1.25 \text{ kV}$ (at $U_{OC}$ )
Voltage protection level $U_p$ (L-PE)	$\leq 1.4 \text{ kV}$
Voltage protection level $U_p$ (N-PE)	$\leq 1.4 \text{ kV}$
TOV behavior at $U_T$ (L-N)	400 V AC (5 s / withstand mode)
	457 V AC (120 min / safe failure mode)
TOV behavior at $U_T$ (L-PE)	457 V AC (5 s / withstand mode)
	457 V AC (120 min / withstand mode)
	1464 V AC (200 ms / safe failure mode)
TOV behavior at $U_T$ (N-PE)	1200 V AC (200 ms / safe failure mode)
Response time $t_A$ (L-N)	$\leq 25 \text{ ns}$
Response time $t_A$ (L-PE)	$\leq 100 \text{ ns}$
Response time $t_A$ (N-PE)	$\leq 100 \text{ ns}$
Short-circuit current rating $I_{SCCR}$	6 kA AC
Max. backup fuse with branch wiring	16 A (gG / B / C)

## Additional technical data

Residual voltage $U_{res}$ (L-N)	$\leq 1.15 \text{ kV}$ (at 2 kA)
	$\leq 1.25 \text{ kV}$ (at 3 kA)
	$\leq 1.1 \text{ kV}$ (at $U_{OC} = 4 \text{ kV}$ )
Residual voltage $U_{res}$ (L-PE)	$\leq 1.1 \text{ kV}$ (at 2 kA)
	$\leq 1.1 \text{ kV}$ (at 3 kA)
	$\leq 1.2 \text{ kV}$ (at $U_{OC} = 4 \text{ kV}$ )
Residual voltage $U_{res}$ (N-PE)	$\leq 1.1 \text{ kV}$ (at 2 kA)
	$\leq 1.1 \text{ kV}$ (at 3 kA)
	$\leq 1.2 \text{ kV}$ (at $U_{OC} = 4 \text{ kV}$ )

## Environmental and real-life conditions

# PLT-EE-T3-230AC-P - Type 3 surge protection plug



1249059

<https://www.phoenixcontact.com/in/products/1249059>

## Ambient conditions

Degree of protection	IP20
Ambient temperature (operation)	-40 °C ... 80 °C
Ambient temperature (storage/transport)	-40 °C ... 80 °C
Altitude	≤ 2000 m (operating voltage remote contact ≤ 250 V) ≤ 6000 m (operating voltage remote contact ≤ 150 V)
Permissible humidity (operation)	5 % ... 95 %
Shock (operation)	30g (Half-sine / 11 ms / 3x ±X, ±Y, ±Z)
Vibration (operation)	5g (5 ... 500 Hz / 2.5 h / X, Y, Z)

## Standards and regulations

Standards/specifications	IEC 61643-11
--------------------------	--------------

### EN 61643-11

Standards/specifications	EN 61643-11
--------------------------	-------------

## Mounting

Mounting type	on base element
---------------	-----------------

# PLT-EE-T3-230AC-P - Type 3 surge protection plug

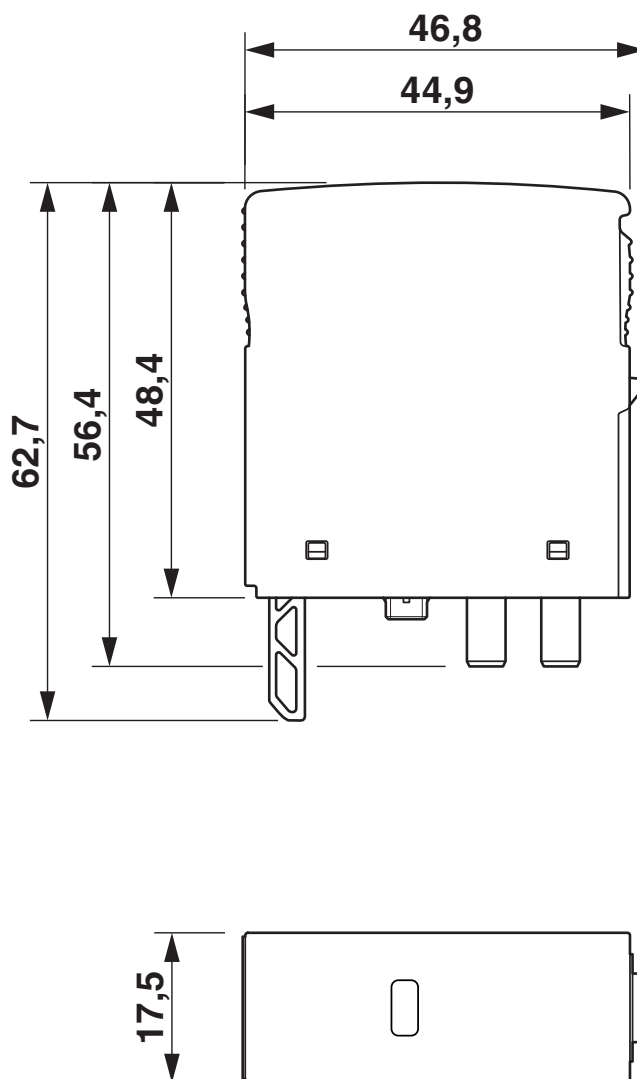
1249059

<https://www.phoenixcontact.com/in/products/1249059>



## Drawings

Dimensional drawing



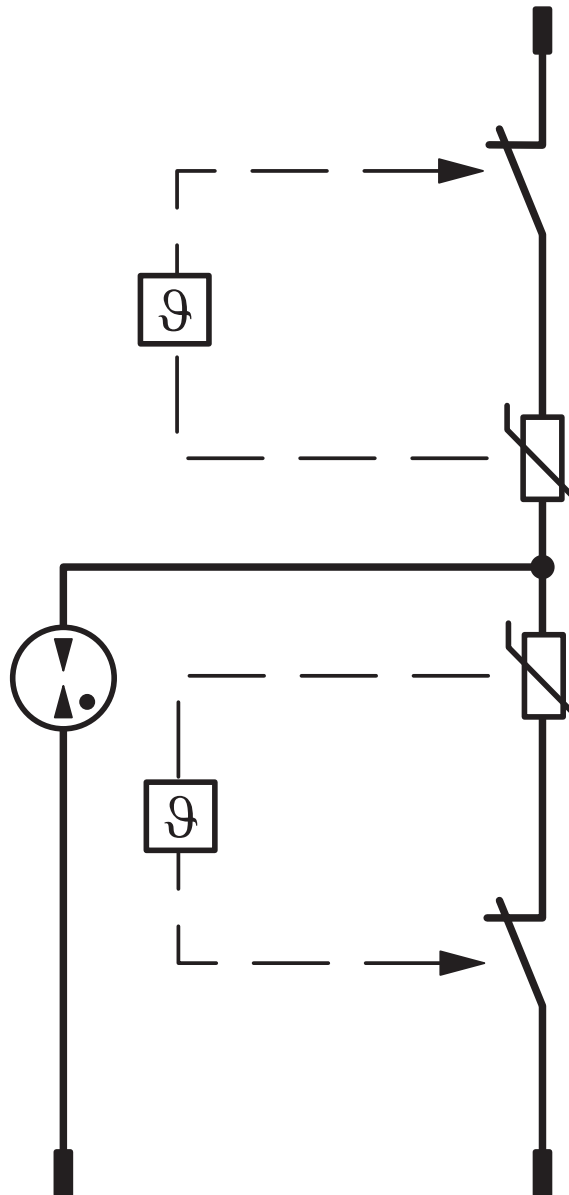
# PLT-EE-T3-230AC-P - Type 3 surge protection plug

1249059

<https://www.phoenixcontact.com/in/products/1249059>



Circuit diagram



# PLT-EE-T3-230AC-P - Type 3 surge protection plug



1249059

<https://www.phoenixcontact.com/in/products/1249059>

## Classifications

### ECLASS

ECLASS-11.0

27130890

### ETIM

ETIM 8.0

EC002496

### UNSPSC

UNSPSC 21.0

39121600

# PLT-EE-T3-230AC-P - Type 3 surge protection plug



1249059

<https://www.phoenixcontact.com/in/products/1249059>

## Environmental Product Compliance

China RoHS	Environmentally friendly use period: unlimited = EFUP-e
	No hazardous substances above threshold values

Phoenix Contact 2023 © - all rights reserved  
<https://www.phoenixcontact.com>

PHOENIX CONTACT (I) Pvt. Ltd.  
A-58/2, Okhla Industrial Area, Phase - II, New Delhi-110 020

+91.1275.71420  
[info@phoenixcontact.co.in](mailto:info@phoenixcontact.co.in)