

PLT-EE-T3-24DC-R - Type 3 surge protection device



1249054

<https://www.phoenixcontact.com/in/products/1249054>

Please be informed that the data shown in this PDF document is generated from our Online Catalog. Please find the complete data in the user documentation. Our General Terms of Use for Downloads are valid.



Type 3 surge protection, consisting of protective plug and base element with screw connection, with integrated status indicator and remote signaling for single-phase power supply networks.
Nominal voltage: 24 V AC/DC

Commercial Data

Item number	1249054
Packing unit	5 pc
Minimum order quantity	1 pc
Sales Key	CL1
Product Key	CL14B1
GTIN	4063151353407
Weight per Piece (including packing)	95.31 g
Weight per Piece (excluding packing)	81 g
Customs tariff number	85363030
Country of origin	DE

PLT-EE-T3-24DC-R - Type 3 surge protection device



1249054

<https://www.phoenixcontact.com/in/products/1249054>

Technical Data

Product properties

IEC power supply system	TN-S
Type	DIN rail module, two-section, divisible
Product type	Device protection
Number of positions	2
Surge protection fault message	Optical, remote indicator contact

Insulation characteristics

Overvoltage category	III
Pollution degree	2
IEC test classification	III
	T3
EN type	T3
Number of ports	One

Electrical properties

Indicator/remote signaling

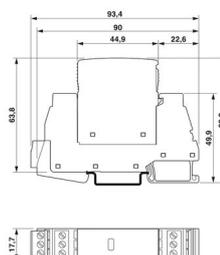
Connection name	Remote fault indicator contact
Switching function	Changeover contact
Operating voltage	250 V AC
	125 V DC (200 mA DC)
Operating current	0.5 A AC
	0.5 A DC (75 V DC)

Connection data

Connection method	Screw connection
Screw thread	M3
Tightening torque	0.5 Nm
Conductor cross section flexible	0.2 mm ² ... 2.5 mm ²
Conductor cross section rigid	0.2 mm ² ... 4 mm ²
Conductor cross section AWG	24 ... 12

Dimensions

Dimensional drawing



PLT-EE-T3-24DC-R - Type 3 surge protection device



1249054

<https://www.phoenixcontact.com/in/products/1249054>

Width	17.7 mm
Height	93.4 mm
Depth	71.3 mm (incl. DIN rail 7.5 mm)
Horizontal pitch	1 Div.

Material specifications

Color	light grey RAL 7035
	traffic grey B RAL 7043
Flammability rating according to UL 94	V-0
CTI value of material	600
Insulating material	PA 6.6-FR 20 % GF
	PA 6.6-FR
Housing material	PA 6.6-FR 20 % GF
	PA 6.6-FR

Protective circuit

Mode of protection	L-N
	L-PE
	N-PE
Direction of action	1L-N & N-PE
Nominal voltage U_N	24 V AC (TN-S)
Nominal frequency f_N	50 Hz (60 Hz)
Maximum continuous voltage U_C	34 V AC
Rated load current I_L	16 A (at 63 °C)
Residual current I_{PE}	≤ 5 μA
Standby power consumption P_C	≤ 2.7 mVA (at U_{REF})
	≤ 4.8 mVA (at U_C)
Reference test voltage U_{REF}	27 V AC
Nominal discharge current I_n (8/20) μs	1 kA
Combination wave U_{OC}	2 kV
Voltage protection level U_p (L-N)	≤ 0.2 kV
Voltage protection level U_p (L-PE)	≤ 0.6 kV
Voltage protection level U_p (N-PE)	≤ 0.6 kV
TOV behavior at U_T (L-N)	50 V AC (120 min / withstand mode)
TOV behavior at U_T (L-PE)	50 V AC (120 min / withstand mode)
Response time t_A (L-N)	≤ 25 ns
Response time t_A (L-PE)	≤ 100 ns
Response time t_A (N-PE)	≤ 100 ns
Short-circuit current rating I_{SCCR}	6 kA AC
Max. backup fuse with branch wiring	16 A (gG / B / C)

Additional technical data

Short-circuit current rating I_{SCCR}	3 kA DC (for 16 A gG / B backup fuse)
Residual voltage U_{res} (L-N)	≤ 0.16 kV (at 0.5 kA)
	≤ 0.2 kV (at 1 kA)

PLT-EE-T3-24DC-R - Type 3 surge protection device



1249054

<https://www.phoenixcontact.com/in/products/1249054>

Residual voltage U_{res} (L-PE)	≤ 0.35 kV (at 0.5 kA)
	≤ 0.4 kV (at 1 kA)
Residual voltage U_{res} (N-PE)	≤ 0.35 kV (at 0.5 kA)
	≤ 0.4 kV (at 1 kA)
Maximum continuous voltage U_C	34 V DC
Mode of protection	(DC+) - (DC-)
	(DC+/DC-) - PE

Environmental and real-life conditions

Ambient conditions

Degree of protection	IP20
Ambient temperature (operation)	-40 °C ... 80 °C
Ambient temperature (storage/transport)	-40 °C ... 80 °C
Altitude	≤ 2000 m (operating voltage remote contact ≤ 250 V)
	≤ 6000 m (operating voltage remote contact ≤ 150 V)
Permissible humidity (operation)	5 % ... 95 %
Shock (operation)	30g (Half-sine / 11 ms / 3x $\pm X$, $\pm Y$, $\pm Z$)
Vibration (operation)	5g (5 ... 500 Hz / 2.5 h / X, Y, Z)

Standards and regulations

Standards/specifications	IEC 61643-11
EN 61643-11	
Standards/specifications	EN 61643-11

Mounting

Mounting type	DIN rail: 35 mm
---------------	-----------------

PLT-EE-T3-24DC-R - Type 3 surge protection device

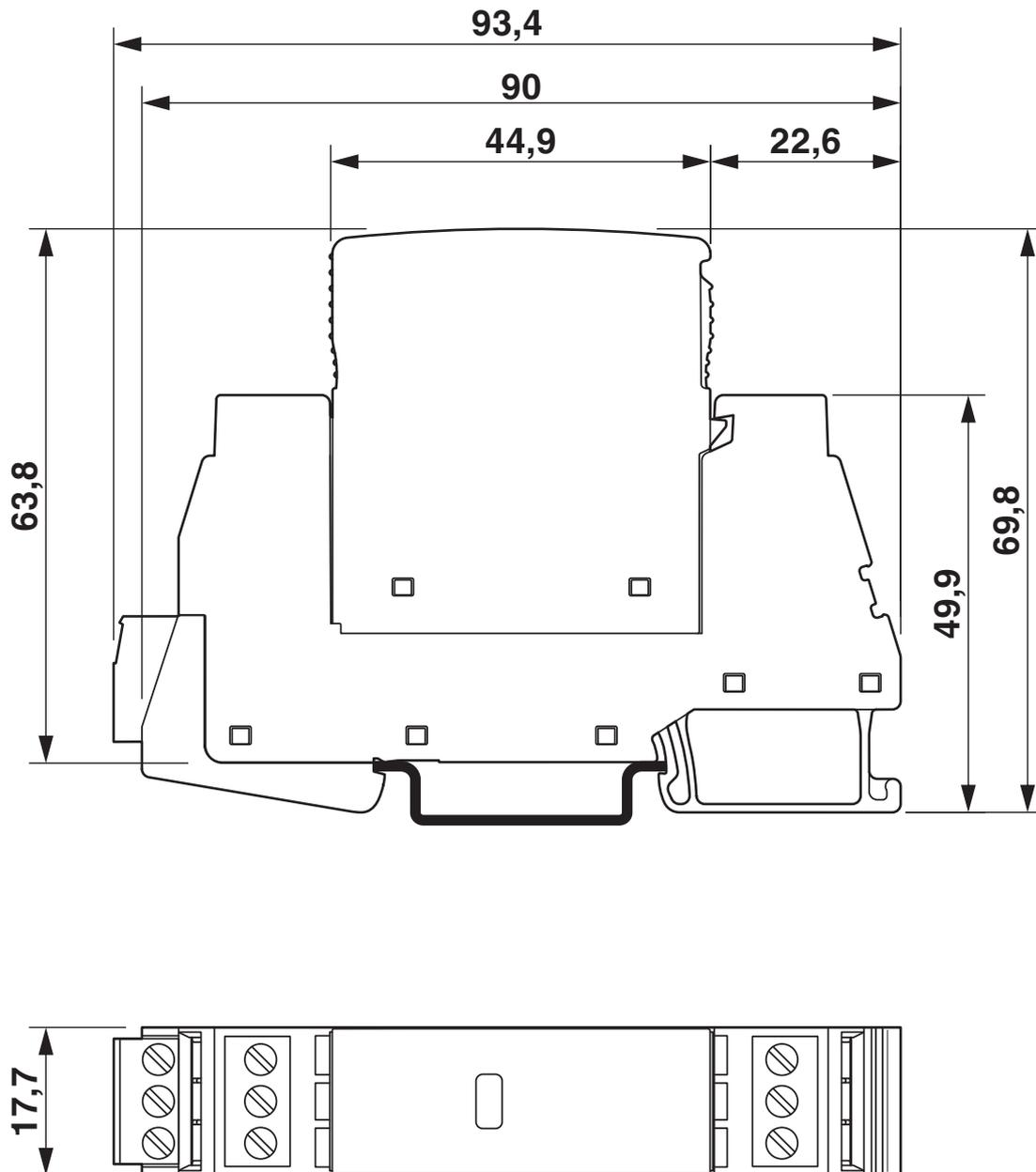


1249054

<https://www.phoenixcontact.com/in/products/1249054>

Drawings

Dimensional drawing

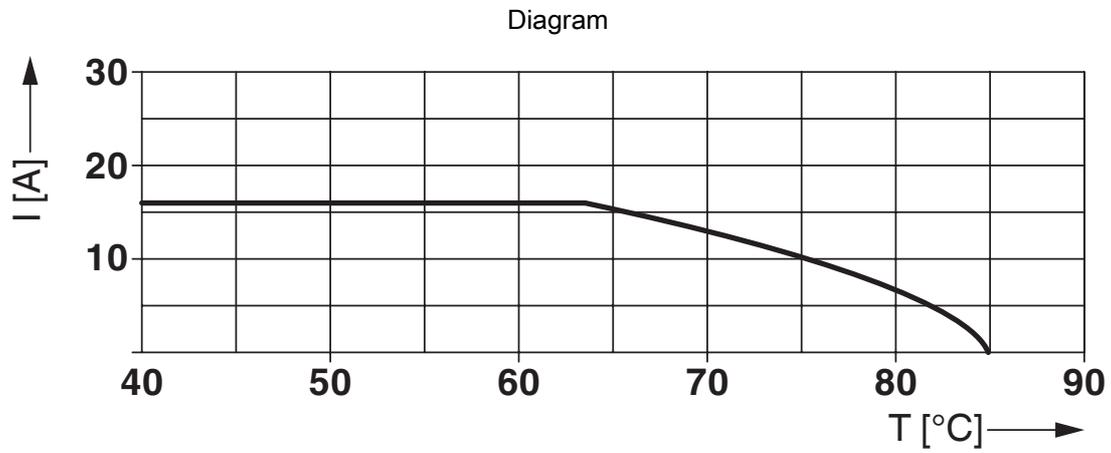


PLT-EE-T3-24DC-R - Type 3 surge protection device

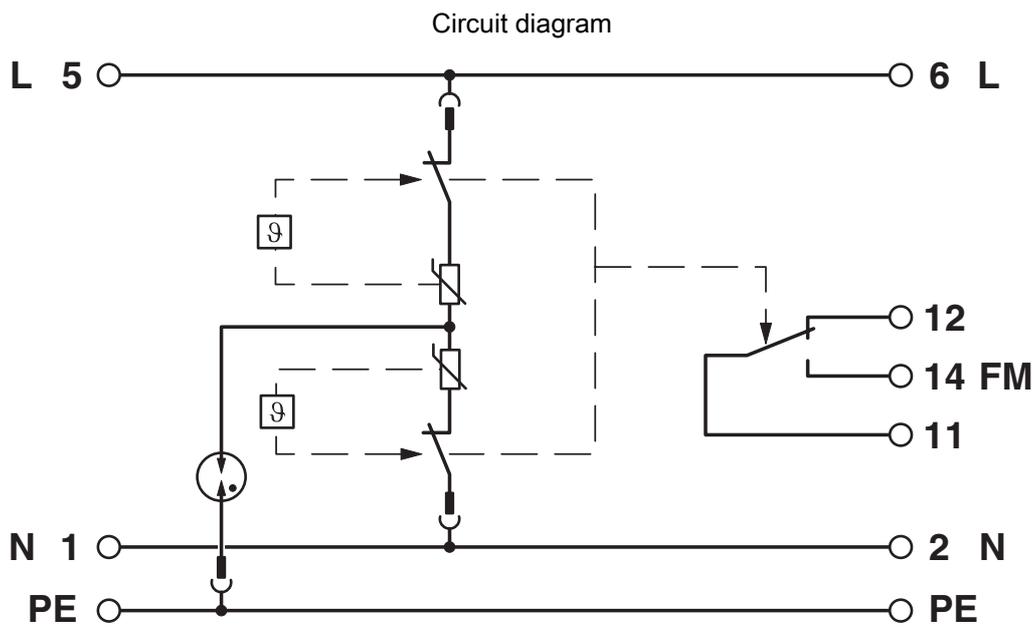


1249054

<https://www.phoenixcontact.com/in/products/1249054>



Nominal current depending on ambient temperature



PLT-EE-T3-24DC-R - Type 3 surge protection device



1249054

<https://www.phoenixcontact.com/in/products/1249054>

Classifications

ECLASS

ECLASS-11.0

27130806

ETIM

ETIM 8.0

EC000942

UNSPSC

UNSPSC 21.0

39121600

PLT-EE-T3-24DC-R - Type 3 surge protection device



1249054

<https://www.phoenixcontact.com/in/products/1249054>

Accessories

CLIPFIX 35 - End clamp

3022218

<https://www.phoenixcontact.com/in/products/3022218>



Quick mounting end clamp for NS 35/7,5 DIN rail or NS 35/15 DIN rail, with marking option, width: 9.5 mm, color: gray

X-PEN 0,35 - Marker pen

0811228

<https://www.phoenixcontact.com/in/products/0811228>



Marker pen without ink cartridge, for manual labeling of markers, labeling extremely wipe-proof, line thickness 0.35 mm

PLT-EE-T3-24DC-R - Type 3 surge protection device



1249054

<https://www.phoenixcontact.com/in/products/1249054>

EML (20XE)R - Label

0803452

<https://www.phoenixcontact.com/in/products/0803452>



Label, Roll, white, unlabeled, can be labeled with: THERMOMARK E.300 (D)/600 (D), THERMOMARK ROLL 2.0, THERMOMARK ROLL, THERMOMARK ROLL X1, THERMOMARK ROLLMASTER 300/600, THERMOMARK X1.2, mounting type: adhesive, lettering field size: continuous x 20 mm

EML (20XE)R YE - Label

0803453

<https://www.phoenixcontact.com/in/products/0803453>



Label, Roll, yellow, unlabeled, can be labeled with: THERMOMARK E.300 (D)/600 (D), THERMOMARK ROLL 2.0, THERMOMARK ROLL, THERMOMARK ROLL X1, THERMOMARK ROLLMASTER 300/600, THERMOMARK X1.2, mounting type: adhesive, lettering field size: continuous x 20 mm

PLT-EE-T3-24DC-R - Type 3 surge protection device



1249054

<https://www.phoenixcontact.com/in/products/1249054>

PLT-EE-T3-24DC-P - Type 3 surge protection plug

1249053

<https://www.phoenixcontact.com/in/products/1249053>



Replacement plug for type 3 surge protection from the PLT-EE product range.
24 V nominal voltage

PLT-EE-T3-BE-R - Type 3 surge protection base element

1249061

<https://www.phoenixcontact.com/in/products/1249061>



Base element for protective plugs from the PLT-EE product range with remote indication contact.

Phoenix Contact 2023 © - all rights reserved
<https://www.phoenixcontact.com>

PHOENIX CONTACT (I) Pvt. Ltd.
A-58/2, Okhla Industrial Area, Phase - II, New Delhi-110 020

+91.1275.71420
info@phoenixcontact.co.in