

PLT-EE-T3-24DC-P - Type 3 surge protection plug



1249053

<https://www.phoenixcontact.com/in/products/1249053>

Please be informed that the data shown in this PDF document is generated from our Online Catalog. Please find the complete data in the user documentation. Our General Terms of Use for Downloads are valid.



Replacement plug for type 3 surge protection from the PLT-EE product range. 24 V nominal voltage

Commercial Data

Item number	1249053
Packing unit	10 pc
Minimum order quantity	1 pc
Sales Key	CL1
Product Key	CL14B1
GTIN	4063151351854
Weight per Piece (including packing)	37.77 g
Weight per Piece (excluding packing)	34 g
Customs tariff number	85363030
Country of origin	DE

PLT-EE-T3-24DC-P - Type 3 surge protection plug



1249053

<https://www.phoenixcontact.com/in/products/1249053>

Technical Data

Product properties

IEC power supply system	TN-S
Type	Male
Product type	Replacement plug
Number of positions	2
Surge protection fault message	optical

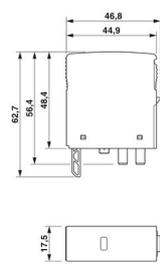
Insulation characteristics

Overvoltage category	III
Pollution degree	2
IEC test classification	III
	T3
EN type	T3
Number of ports	One

Connection data

Connection method	pluggable
-------------------	-----------

Dimensions

Dimensional drawing	
Width	17.5 mm
Height	46.8 mm
Depth	62.7 mm
Horizontal pitch	1 Div.

Material specifications

Color	traffic grey B RAL 7043
Flammability rating according to UL 94	V-0
CTI value of material	600
Insulating material	PA 6.6-FR 20 % GF
	PA 6.6-FR
Housing material	PA 6.6-FR 20 % GF
	PA 6.6-FR

Protective circuit

PLT-EE-T3-24DC-P - Type 3 surge protection plug



1249053

<https://www.phoenixcontact.com/in/products/1249053>

Mode of protection	L-N
	L-PE
	N-PE
Nominal voltage U_N	24 V AC (TN-S)
Nominal frequency f_N	50 Hz (60 Hz)
Maximum continuous voltage U_C	34 V AC
Residual current I_{PE}	$\leq 5 \mu\text{A}$
Standby power consumption P_C	$\leq 2.7 \text{ mVA}$ (at U_{REF})
	$\leq 4.8 \text{ mVA}$ (at U_C)
Reference test voltage U_{REF}	27 V AC
Nominal discharge current I_n (8/20) μs	1 kA
Combination wave U_{OC}	2 kV
Voltage protection level U_p (L-N)	$\leq 0.2 \text{ kV}$
Voltage protection level U_p (L-PE)	$\leq 0.6 \text{ kV}$
Voltage protection level U_p (N-PE)	$\leq 0.6 \text{ kV}$
TOV behavior at U_T (L-N)	50 V AC (120 min / withstand mode)
TOV behavior at U_T (L-PE)	50 V AC (120 min / withstand mode)
Response time t_A (L-N)	$\leq 25 \text{ ns}$
Response time t_A (L-PE)	$\leq 100 \text{ ns}$
Response time t_A (N-PE)	$\leq 100 \text{ ns}$
Short-circuit current rating I_{SCCR}	6 kA AC
Max. backup fuse with branch wiring	16 A (gG / B / C)

Additional technical data

Short-circuit current rating I_{SCCR}	3 kA DC (for 16 A gG / B backup fuse)
Residual voltage U_{res} (L-N)	$\leq 0.16 \text{ kV}$ (at 0.5 kA)
	$\leq 0.2 \text{ kV}$ (at 1 kA)
Residual voltage U_{res} (L-PE)	$\leq 0.35 \text{ kV}$ (at 0.5 kA)
	$\leq 0.4 \text{ kV}$ (at 1 kA)
Residual voltage U_{res} (N-PE)	$\leq 0.35 \text{ kV}$ (at 0.5 kA)
	$\leq 0.4 \text{ kV}$ (at 1 kA)
Maximum continuous voltage U_C	34 V DC
Mode of protection	(DC+) - (DC-)
	(DC+/DC-) - PE

Environmental and real-life conditions

Ambient conditions

Degree of protection	IP20
Ambient temperature (operation)	-40 °C ... 80 °C
Ambient temperature (storage/transport)	-40 °C ... 80 °C
Altitude	$\leq 2000 \text{ m}$ (operating voltage remote contact $\leq 250 \text{ V}$)
	$\leq 6000 \text{ m}$ (operating voltage remote contact $\leq 150 \text{ V}$)
Permissible humidity (operation)	5 % ... 95 %
Shock (operation)	30g (Half-sine / 11 ms / 3x $\pm X$, $\pm Y$, $\pm Z$)

PLT-EE-T3-24DC-P - Type 3 surge protection plug



1249053

<https://www.phoenixcontact.com/in/products/1249053>

Vibration (operation)	5g (5 ... 500 Hz / 2.5 h / X, Y, Z)
-----------------------	-------------------------------------

Standards and regulations

Standards/specifications	IEC 61643-11
--------------------------	--------------

EN 61643-11

Standards/specifications	EN 61643-11
--------------------------	-------------

Mounting

Mounting type	on base element
---------------	-----------------

PLT-EE-T3-24DC-P - Type 3 surge protection plug

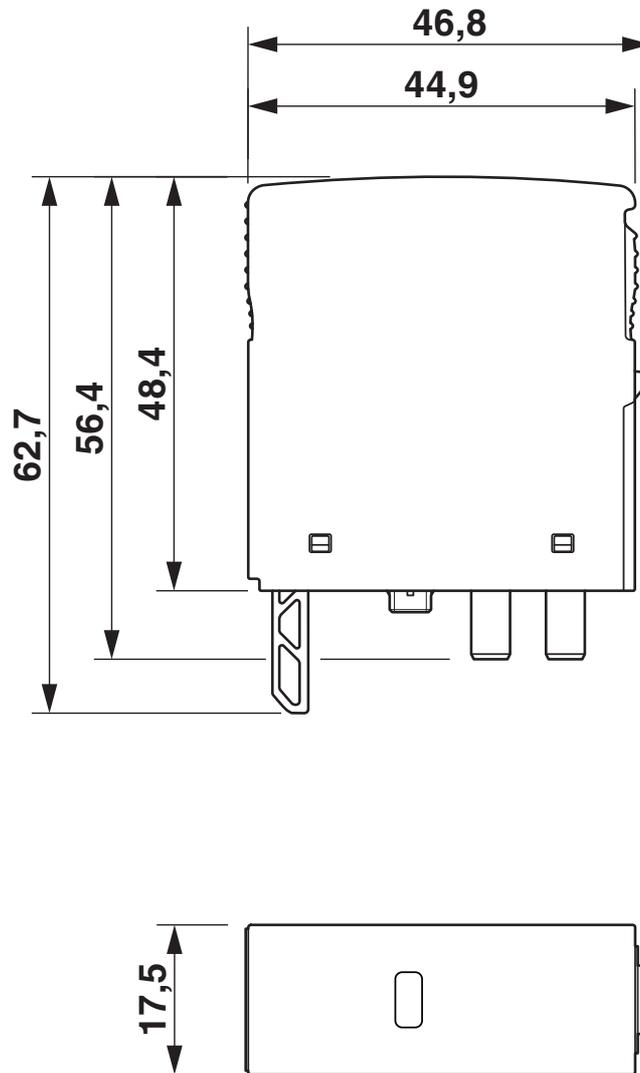
1249053

<https://www.phoenixcontact.com/in/products/1249053>



Drawings

Dimensional drawing



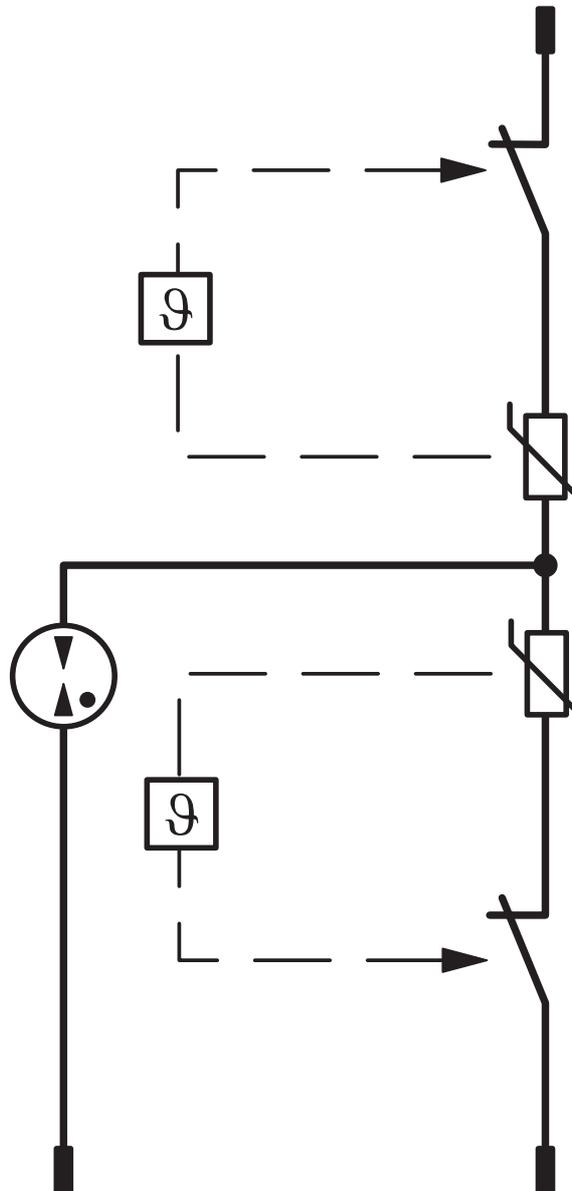
PLT-EE-T3-24DC-P - Type 3 surge protection plug

1249053

<https://www.phoenixcontact.com/in/products/1249053>



Circuit diagram



PLT-EE-T3-24DC-P - Type 3 surge protection plug



1249053

<https://www.phoenixcontact.com/in/products/1249053>

Classifications

ECLASS

ECLASS-11.0

27130890

ETIM

ETIM 8.0

EC002496

UNSPSC

UNSPSC 21.0

39121600

PLT-EE-T3-24DC-P - Type 3 surge protection plug



1249053

<https://www.phoenixcontact.com/in/products/1249053>

Environmental Product Compliance

China RoHS	Environmentally friendly use period: unlimited = EFUP-e
	No hazardous substances above threshold values

Phoenix Contact 2023 © - all rights reserved
<https://www.phoenixcontact.com>

PHOENIX CONTACT (I) Pvt. Ltd.
A-58/2, Okhla Industrial Area, Phase - II, New Delhi-110 020

+91.1275.71420
info@phoenixcontact.co.in