

SZK PZ1 VDE - Screwdriver



1206450

<https://www.phoenixcontact.com/in/products/1206450>

Please be informed that the data shown in this PDF document is generated from our Online Catalog. Please find the complete data in the user documentation. Our General Terms of Use for Downloads are valid.



Screwdriver, PZ crosshead, VDE insulated, size: PZ 1 x 80 mm, 2-component grip, with non-slip grip

Your advantages

- Screwdrivers for Phillips screws with Pozidriv and Phillips Recess screw head
- VDE approval

Commercial Data

| | |
|--------------------------------------|---------------------|
| Item number | 1206450 |
| Packing unit | 10 pc |
| Minimum order quantity | 10 pc |
| Sales Key | BH3 |
| Product Key | BH3146 |
| Catalog Page | Page 444 (C-3-2019) |
| GTIN | 4017918170912 |
| Weight per Piece (including packing) | 60.7 g |
| Weight per Piece (excluding packing) | 60.7 g |
| Customs tariff number | 82054000 |
| Country of origin | CZ |

SZK PZ1 VDE - Screwdriver



1206450

<https://www.phoenixcontact.com/in/products/1206450>

Technical Data

Notes

Environmental Product Compliance

| | |
|---------------------------|---|
| California Proposition 65 | Further information on California's prop. 65 is available under "Downloads" in the manufacturer's declaration |
|---------------------------|---|

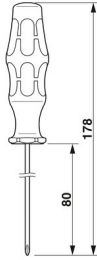
Product properties

| | |
|--------------|-------------------|
| Type | Phillips |
| Product type | Screwdriver tools |
| Type | 1 |

Connection data

| | |
|--------|-----------------------------|
| Output | Crosshead/Pozidriv/Supadriv |
|--------|-----------------------------|

Dimensions

| | |
|--------------------------|---|
| Dimensional drawing |  |
| Width | 33 mm |
| Blade width | 3 mm |
| Blade height | 80 mm |
| Length | 178 mm |
| Wrench size for mounting | 0 mm |

Material specifications

| | |
|----------|--------------------|
| Material | alloyed tool steel |
|----------|--------------------|

Standards and regulations

| | |
|-------|-------------------|
| Tests | DIN/ISO 8764-1 PZ |
|-------|-------------------|

Mounting

| | |
|-------------|------|
| Wrench size | 0 mm |
|-------------|------|

SZK PZ1 VDE - Screwdriver

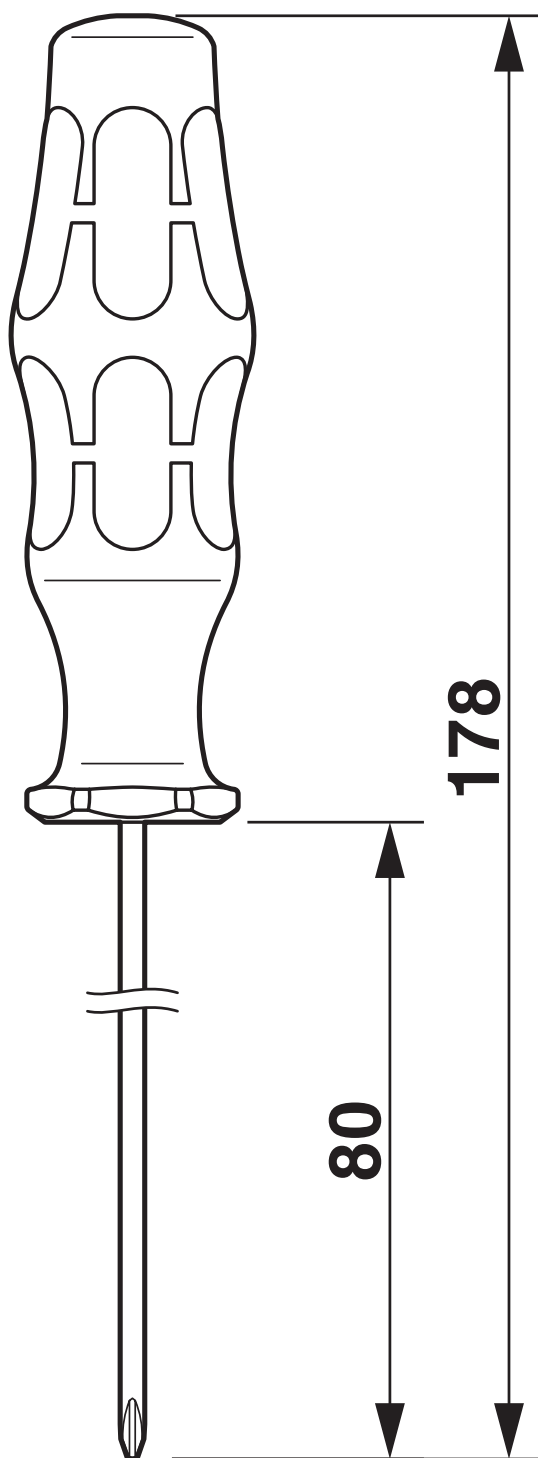
1206450

<https://www.phoenixcontact.com/in/products/1206450>



Drawings

Dimensional drawing



SZK PZ1 VDE - Screwdriver



1206450

<https://www.phoenixcontact.com/in/products/1206450>

Approvals



EAC

Approval ID: RU x-DE.xx08.B.02974



VDE Zeichengenehmigung

Approval ID: 086858

SZK PZ1 VDE - Screwdriver



1206450

<https://www.phoenixcontact.com/in/products/1206450>

Classifications

ECLASS

| | |
|-------------|----------|
| ECLASS-11.0 | 21040406 |
| ECLASS-12.0 | 21040406 |
| ECLASS-13.0 | 21040406 |

ETIM

| | |
|----------|----------|
| ETIM 8.0 | EC000144 |
|----------|----------|

UNSPSC

| | |
|-------------|----------|
| UNSPSC 21.0 | 27111700 |
|-------------|----------|

Phoenix Contact 2023 © - all rights reserved

<https://www.phoenixcontact.com>

PHOENIX CONTACT (I) Pvt. Ltd.

A-58/2, Okhla Industrial Area, Phase - II, New Delhi-110 020

+91.1275.71420

info@phoenixcontact.co.in