

SZK PZ0 VDE - Screwdriver



1206447

<https://www.phoenixcontact.com/in/products/1206447>

Please be informed that the data shown in this PDF document is generated from our Online Catalog. Please find the complete data in the user documentation. Our General Terms of Use for Downloads are valid.



Screwdriver, PZ crosshead, VDE insulated, size: PZ 0 x 80 mm, 2-component grip, with non-slip grip

Your advantages

- Screwdrivers for Phillips screws with Pozidriv and Phillips Recess screw head
- VDE approval

Commercial Data

Item number	1206447
Packing unit	10 pc
Minimum order quantity	10 pc
Sales Key	BH3
Product Key	BH3146
Catalog Page	Page 444 (C-3-2019)
GTIN	4017918170905
Weight per Piece (including packing)	33.77 g
Weight per Piece (excluding packing)	33.77 g
Customs tariff number	82054000
Country of origin	CZ

SZK PZ0 VDE - Screwdriver



1206447

<https://www.phoenixcontact.com/in/products/1206447>

Technical Data

Notes

Environmental Product Compliance

California Proposition 65

Further information on California's prop. 65 is available under "Downloads" in the manufacturer's declaration

Product properties

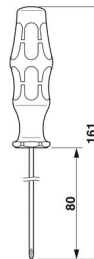
Type	Phillips
Product type	Screwdriver tools
Type	straight

Connection data

Output	Crosshead/Pozidriv/Supadriv
--------	-----------------------------

Dimensions

Dimensional drawing



Width	26 mm
Blade width	3 mm
Blade height	80 mm
Length	161 mm
Wrench size for mounting	0 mm

Material specifications

Material	alloyed tool steel
----------	--------------------

Standards and regulations

Tests	DIN/ISO 8764-1 PZ IEC 60900:2004
-------	----------------------------------

Mounting

Wrench size	0 mm
-------------	------

SZK PZ0 VDE - Screwdriver

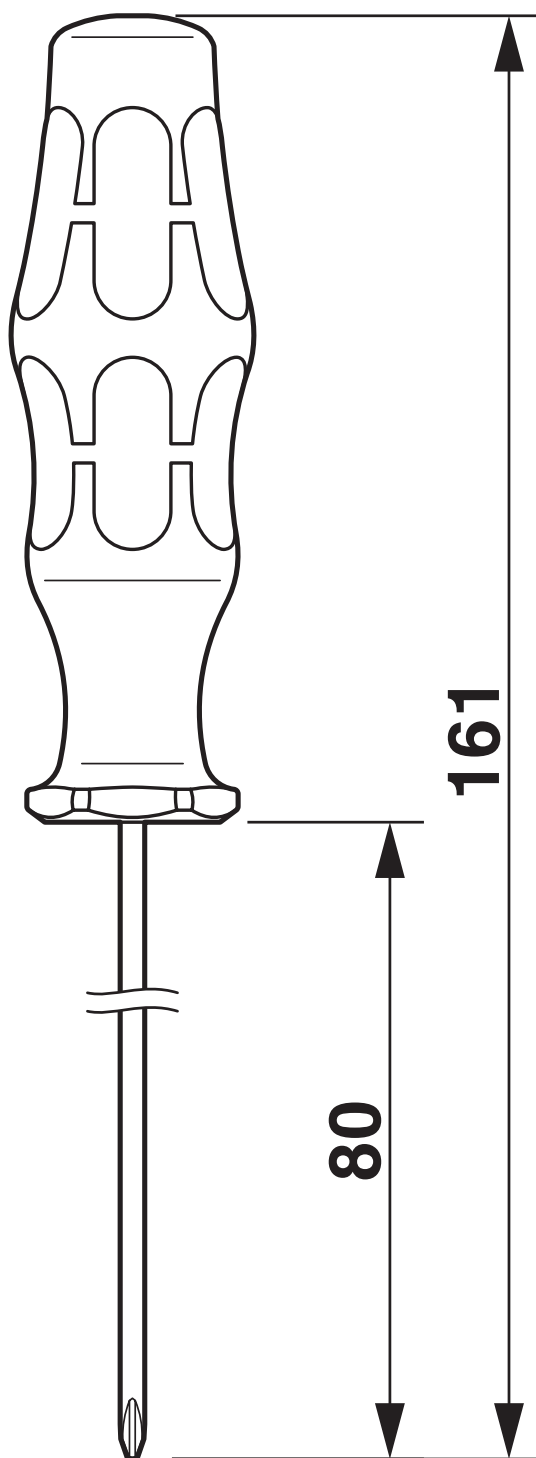
1206447

<https://www.phoenixcontact.com/in/products/1206447>



Drawings

Dimensional drawing



SZK PZ0 VDE - Screwdriver



1206447

<https://www.phoenixcontact.com/in/products/1206447>

Approvals



EAC

Approval ID: RU x-DE.xx08.B.02974



VDE Zeichengenehmigung

Approval ID: 086858

SZK PZ0 VDE - Screwdriver



1206447

<https://www.phoenixcontact.com/in/products/1206447>

Classifications

ECLASS

ECLASS-11.0	21040406
ECLASS-12.0	21040406
ECLASS-13.0	21040406

ETIM

ETIM 8.0	EC000144
----------	----------

UNSPSC

UNSPSC 21.0	27111700
-------------	----------

Phoenix Contact 2023 © - all rights reserved

<https://www.phoenixcontact.com>

PHOENIX CONTACT (I) Pvt. Ltd.

A-58/2, Okhla Industrial Area, Phase - II, New Delhi-110 020

+91.1275.71420

info@phoenixcontact.co.in