

# SZK PH0 VDE - Screwdriver



1205147

<https://www.phoenixcontact.com/in/products/1205147>

Please be informed that the data shown in this PDF document is generated from our Online Catalog. Please find the complete data in the user documentation. Our General Terms of Use for Downloads are valid.



Screwdriver, PH crosshead, VDE insulated, size: PH 0 x 80 mm, 2-component grip, with non-slip grip

## Your advantages

- Screwdrivers for Phillips screws with Pozidriv and Phillips Recess screw head
- VDE approval

## Commercial Data

Item number	1205147
Packing unit	10 pc
Minimum order quantity	10 pc
Sales Key	BH3
Product Key	BH3145
Catalog Page	Page 444 (C-3-2019)
GTIN	4017918019150
Weight per Piece (including packing)	33.51 g
Weight per Piece (excluding packing)	33.51 g
Customs tariff number	82054000
Country of origin	CZ

# SZK PH0 VDE - Screwdriver



1205147

<https://www.phoenixcontact.com/in/products/1205147>

## Technical Data

### Notes

#### Environmental Product Compliance

California Proposition 65

Further information on California's prop. 65 is available under "Downloads" in the manufacturer's declaration

### Product properties

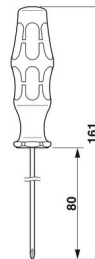
Type	Phillips
Product type	Screwdriver tools
Type	straight

### Connection data

Output	Crosshead/Phillips Recess
--------	---------------------------

### Dimensions

Dimensional drawing



Width	26 mm
Blade width	3 mm
Blade height	80 mm
Length	161 mm
Wrench size for mounting	0 mm

### Material specifications

Material	alloyed tool steel
----------	--------------------

### Standards and regulations

Tests	DIN/ISO 8764-1 PH IEC 60900:2004
-------	----------------------------------

### Mounting

Wrench size	0 mm
-------------	------

# SZK PH0 VDE - Screwdriver

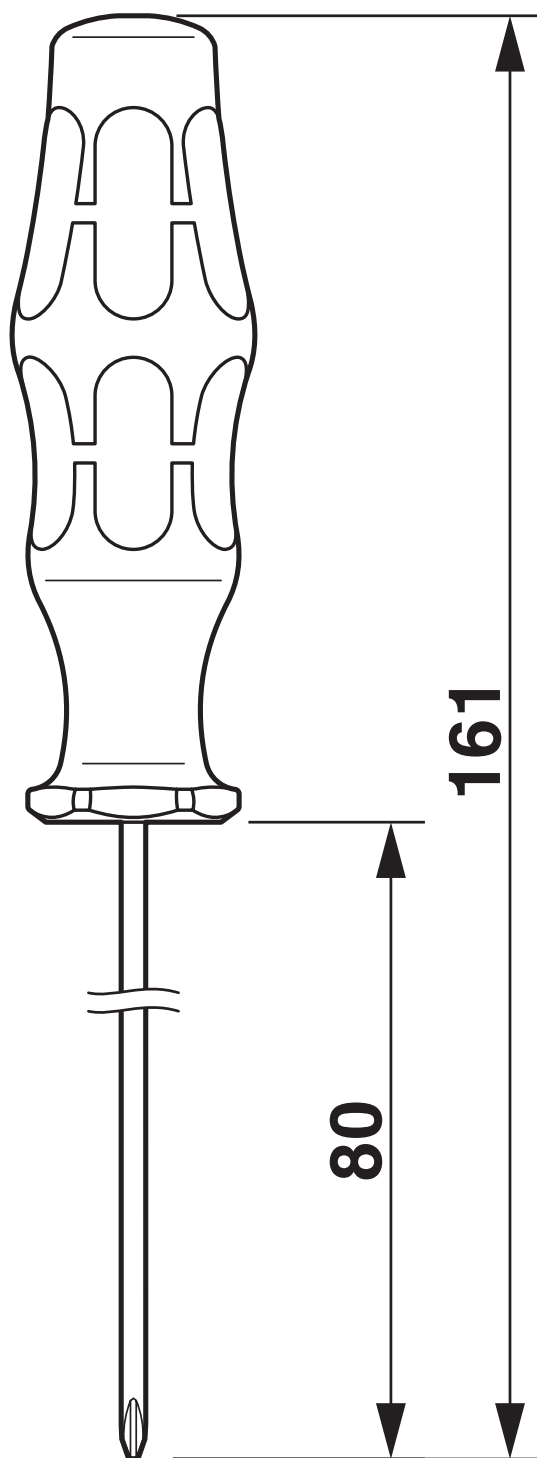
1205147

<https://www.phoenixcontact.com/in/products/1205147>



## Drawings

Dimensional drawing



# SZK PH0 VDE - Screwdriver



1205147

<https://www.phoenixcontact.com/in/products/1205147>

## Approvals



**EAC**

Approval ID: RU x-DE.xx08.B.02974



**VDE Zeichengenehmigung**

Approval ID: 086858

# SZK PH0 VDE - Screwdriver



1205147

<https://www.phoenixcontact.com/in/products/1205147>

## Classifications

### ECLASS

ECLASS-11.0	21040406
ECLASS-12.0	21040406
ECLASS-13.0	21040406

### ETIM

ETIM 8.0	EC000144
----------	----------

### UNSPSC

UNSPSC 21.0	27111700
-------------	----------

Phoenix Contact 2023 © - all rights reserved

<https://www.phoenixcontact.com>

PHOENIX CONTACT (I) Pvt. Ltd.

A-58/2, Okhla Industrial Area, Phase - II, New Delhi-110 020

+91.1275.71420

[info@phoenixcontact.co.in](mailto:info@phoenixcontact.co.in)