

NS 35/15 BLK UNPERF 2000MM-VPE 10 - DIN rail, unperforated



1201701

<https://www.phoenixcontact.com/in/products/1201701>

Please be informed that the data shown in this PDF document is generated from our Online Catalog. Please find the complete data in the user documentation. Our General Terms of Use for Downloads are valid.



DIN rail, unperforated, similar to EN 60715, material: Steel, uncoated, Standard profile, color: white aluminum, Pack of 10 (20 m)

Commercial Data

Item number	1201701
Packing unit	10 pc
Minimum order quantity	10 pc
Sales Key	BE7
Product Key	BE7231
GTIN	4017918155490
Weight per Piece (including packing)	1,350 g
Weight per Piece (excluding packing)	1,350 g
Customs tariff number	72166190
Country of origin	DE

NS 35/15 BLK UNPERF 2000MM-VPE 10 - DIN rail, unperforated



1201701

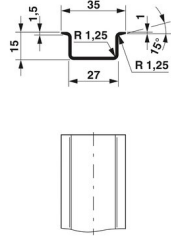
<https://www.phoenixcontact.com/in/products/1201701>

Technical Data

Product properties

Product type	DIN rail
--------------	----------

Dimensions

Dimensional drawing	
Width	35 mm
Height	15 mm
Length	2000 mm

Material specifications

Color	white aluminum
Material	Steel
Coating	uncoated

Standards and regulations

Connection in acc. with standard	IEC / EN
Tests	similar to EN 60715

NS 35/15 BLK UNPERF 2000MM-VPE 10 - DIN rail, unperforated

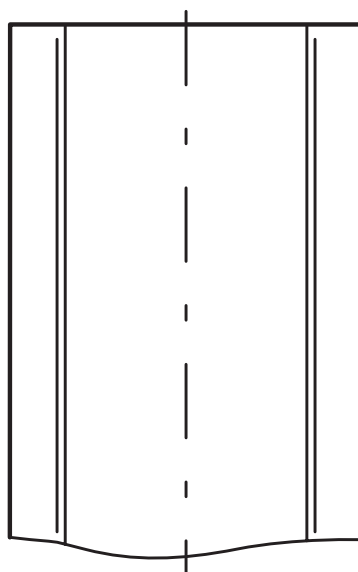
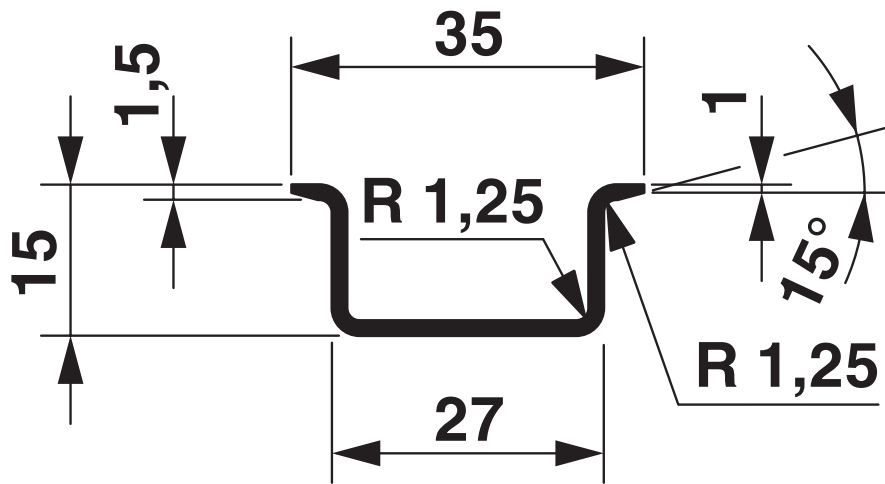


1201701

<https://www.phoenixcontact.com/in/products/1201701>

Drawings

Dimensional drawing



NS 35/15 BLK UNPERF 2000MM-VPE 10 - DIN rail, unperforated



1201701

<https://www.phoenixcontact.com/in/products/1201701>

Classifications

ECLASS

ECLASS-11.0	27400602
ECLASS-13.0	27400602
ECLASS-12.0	27400602

ETIM

ETIM 8.0	EC001285
----------	----------

UNSPSC

UNSPSC 21.0	39121700
-------------	----------

NS 35/15 BLK UNPERF 2000MM-VPE 10 - DIN rail, unperforated



1201701

<https://www.phoenixcontact.com/in/products/1201701>

Environmental Product Compliance

China RoHS	Environmentally friendly use period: unlimited = EFUP-e
	No hazardous substances above threshold values

Phoenix Contact 2023 © - all rights reserved
<https://www.phoenixcontact.com>

PHOENIX CONTACT (I) Pvt. Ltd.
A-58/2, Okhla Industrial Area, Phase - II, New Delhi-110 020

+91.1275.71420
info@phoenixcontact.co.in