

TRIO-PS67/1AC/24DC/10/M12 - Power supply unit



1111634

<https://www.phoenixcontact.com/in/products/1111634>

Please be informed that the data shown in this PDF document is generated from our Online Catalog. Please find the complete data in the user documentation. Our General Terms of Use for Downloads are valid.

Primary-switched power supply unit TRIO POWER, M12 circular connector, Wall mounting, input: 1-phase, output: 24 V DC / 10 A



Commercial Data

Item number	1111634
Packing unit	1 pc
Minimum order quantity	1 pc
Sales Key	CMP
Product Key	CMPF13
GTIN	4063151031824
Weight per Piece (including packing)	1,639 g
Weight per Piece (excluding packing)	1,500 g
Customs tariff number	85044083
Country of origin	CN

Technical Data

Input data

AC operation

Supply system configuration	Star network (TN, TT, IT (PE))
Nominal input voltage range	100 V AC ... 240 V AC
Input voltage range	100 V AC ... 240 V AC $\pm 10\%$
Switch-on voltage	> 75 V AC
Shut-down voltage	< 70 V AC
Electric strength, max.	≤ 300 V AC 15 s
Typical national grid voltage	120 V AC
	230 V AC
Voltage type of supply voltage	AC/DC
Inrush current	≤ 25 A (typical)
Inrush current integral (I^2t)	< 0.5 A ² s
Inrush current limitation	typ. 25 A (after 1 ms)
AC frequency range	50 Hz ... 60 Hz $\pm 10\%$
Frequency range (f_N)	50 Hz ... 60 Hz $\pm 10\%$
Mains buffering time	> 15 ms (120 V AC)
	> 15 ms (230 V AC)
Current consumption	2.8 A (100 V AC)
	1.2 A (240 V AC)
Nominal power consumption	285 VA
Protective circuit	Transient surge protection; Varistor
Power factor (cos phi)	> 0.93
Switch-on time	< 1 s
Input fuse	6.3 A (internal (device protection))
Recommended breaker for input protection	6 A ... 16 A (US/CAN: branch circuit protection < 20 A) (Characteristic B, C, D, K or comparable)
Discharge current to PE	< 3.5 mA

DC operation

Nominal input voltage range	110 V DC ... 250 V DC
Input voltage range	110 V DC ... 250 V DC $\pm 10\%$
Switch-on voltage	≥ 95 V DC
Shut-down voltage	< 95 V DC
Voltage type of supply voltage	AC/DC
Mains buffering time	> 15 ms (230 V AC)
Current consumption	2.4 A (110 V DC)
	1.1 A (250 V DC)

Output data

Efficiency	typ. 91 % (120 V AC)
------------	----------------------

TRIO-PS67/1AC/24DC/10/M12 - Power supply unit



1111634

<https://www.phoenixcontact.com/in/products/1111634>

	typ. 93 % (230 V AC)
Nominal output voltage	24 V DC ± 1 %
Nominal output current (I_N)	10 A
Dynamic Boost ($I_{Dyn.Boost}$)	15 A (5 s)
Derating	> 60 °C ... 70 °C (2.5%/K)
Feedback voltage resistance	≤ 35 V DC
Protection against overvoltage at the output (OVP)	≤ 30 V DC
Control deviation	< 1 % (change in load, static 10 % ... 90 %)
	< 3 % (Dynamic load change 10 % ... 90 %, 10 Hz)
	< 0.1 % (change in input voltage ± 10 %)
Residual ripple	≤ 10 mV _{PP}
Short-circuit-proof	yes
No-load proof	yes
Output power	240 W
	360 W
Maximum no-load power dissipation	< 10 W (120 V AC)
	< 6 W (230 V AC)
Power loss nominal load max.	< 22 W (120 V AC)
	< 17 W (230 V AC)
Rise time	≤ 12 ms (U_{OUT} (10 % ... 90 %))
Connection in parallel	yes, for redundancy and increased capacity
Connection in series	yes

Signal: DC OK

Maximum switching voltage	30 V AC/DC
Continuous load current	100 mA

Signal relay 13/14

Default	closed
Digital	30 V AC 30 V DC 100 mA

Connection data

Input

Connection method	M12 circular connector
Coding	S
Type of locking	M12 screw locking
Range of positions	Plug

Output

Connection method	M12 circular connector
Coding	L
Type of locking	M12 screw locking
Range of positions	Socket

Signaling

TRIO-PS67/1AC/24DC/10/M12 - Power supply unit



1111634

<https://www.phoenixcontact.com/in/products/1111634>

Types of signaling	LED
	Floating signal contact
Status display	2 x green LEDs

Signal output: LED status indicator

Signalization designation	AC OK
Status display	LED
Color	green
AC OK	$AC_{In} > 0.55 \times AC_N$ ($AC_N = 90 \text{ V AC}$)

Signal output: LED status indicator

Signalization designation	DC OK
Status display	LED
Color	green
DC OK	$U_{OUT} > 0.9 \times U_N$ ($U_N = 24 \text{ V DC}$)

Electrical properties

Number of phases	1.00
Insulation voltage input/output	3 kV AC (type test)
	1.5 kV AC (routine test)

Product properties

Product type	Power supply
Product family	TRIO POWER
MTBF (IEC 61709, SN 29500)	> 1800000 h (25 °C)
	> 1000000 h (40 °C)
	> 480000 h (60 °C)

Insulation characteristics

Protection class	I
Degree of pollution	3

Dimensions

Item dimensions

Width	136 mm
Height	240 mm
Depth	53 mm

Drill hole

Diameter	5.6 mm
----------	--------

Mounting

Mounting type	Wall mounting
Assembly instructions	Alignable: 20 mm horizontally, 50 mm vertically above, 100 mm vertically below
With protective coating	No

1111634

<https://www.phoenixcontact.com/in/products/1111634>

Material specifications

Flammability rating according to UL 94 (housing / terminal blocks)	V0
Housing material	Metal
Type of housing	Aluminum (AlMg3)

Environmental and real-life conditions

Ambient conditions

Degree of protection	IP67
Ambient temperature (operation)	-25 °C ... 70 °C (Derating >60°C: 2.5 %/K)
Ambient temperature (storage/transport)	-40 °C ... 85 °C
Maximum altitude	≤ 4000 m (> 2000 m, Derating: 10 %/1000 m)
Climatic class	4K26 (EN 60721-3-4)
Max. permissible relative humidity (operation)	≤ 100 % (at 25 °C, non-condensing)
Permissible humidity (operation)	≤ 100 % (at 25 °C, non-condensing)
Shock	18 ms, 30g, in each space direction (according to IEC 60068-2-27)
Vibration (operation)	< 15 Hz, amplitude ±2.5 mm (according to IEC 60068-2-6) 15 Hz ... 150 Hz, 4g, 90 min.

Standards and regulations

Overvoltage category

EN 61010-1	III (≤ 2000 m)
	II (≤ 4000 m)

Electrical safety

Standards/specifications	IEC 61010-1
--------------------------	-------------

Protective extra-low voltage

Standards/specifications	IEC 61010-1 (SELV)
	IEC 61010-2-201 (PELV)

Safe isolation

Standards/specifications	IEC 61558-2-16
--------------------------	----------------

Low-voltage power supplies, DC output

Standards/specifications	EN 61204-3
--------------------------	------------

Safety requirements for electrical equipment for measurement, control, and laboratory use

Standards/specifications	IEC 61010-1
--------------------------	-------------

Limit values for harmonic currents

Standards/specifications	EN 61000-3-2
--------------------------	--------------

Degrees of protection provided by enclosures (IP code)

Standards/specifications	EN/IEC 60529
--------------------------	--------------

1111634

<https://www.phoenixcontact.com/in/products/1111634>

Approvals

UL

Identification	UL/C-UL Listed UL 61010-1
----------------	---------------------------

UL

Identification	UL/C-UL Listed UL 61010-2-201
----------------	-------------------------------

EMC data

Low Voltage Directive	Conformance with Low Voltage Directive 2014/35/EC
Interference emission	Interference emission in accordance with EN 61000-6-3 (residential and commercial) and EN 61000-6-4 (industrial)
Noise immunity	Immunity in accordance with EN 61000-6-1 (residential), EN 61000-6-2 (industrial)
Electromagnetic compatibility	Conformance with EMC Directive 2014/30/EU
Conducted noise emission	EN 55016 EN 61000-6-3 (Class B)
Noise emission	EN 55011 (EN 55022)
Noise emission	EN 55016 EN 61000-6-3 (Class B)

Harmonic currents

Standards/regulations	EN 61000-3-2 EN 61000-3-2 (Class A)
-----------------------	--

Electrostatic discharge

Standards/regulations	EN 61000-4-2
-----------------------	--------------

Electrostatic discharge

Contact discharge	6 kV (Test Level 3)
Comments	Criterion A

Electromagnetic HF field

Standards/regulations	EN 61000-4-3
-----------------------	--------------

Electromagnetic HF field

Frequency range	80 MHz ... 1 GHz
Test field strength	10 V/m (Test Level 3)
Frequency range	1 GHz ... 2 GHz
Test field strength	10 V/m (Test Level 3)
Frequency range	2 GHz ... 6 GHz
Test field strength	10 V/m (Test Level 3)
Comments	Criterion A

Fast transients (burst)

Standards/regulations	EN 61000-4-4
-----------------------	--------------

Fast transients (burst)

TRIO-PS67/1AC/24DC/10/M12 - Power supply unit



1111634

<https://www.phoenixcontact.com/in/products/1111634>

Input	4 kV (Test Level 3 - asymmetrical)
Output	2 kV (Test Level 3 - asymmetrical)
Signal	2 kV (Test Level 3 - asymmetrical)
Comments	Criterion A

Surge voltage load (surge)

Standards/regulations	EN 61000-4-5
Input	2 kV (Test Level 4 - symmetrical) 4 kV (Test Level 4 - asymmetrical)
Output	1 kV (Test Level 3 - symmetrical) 2 kV (Test Level 3 - asymmetrical)
Signal	1 kV (Test Level 2 - asymmetrical)
Comments	Criterion A

Conducted interference

Standards/regulations	EN 61000-4-6
-----------------------	--------------

Conducted interference

Input/Output	asymmetrical
Frequency range	0.15 MHz ... 80 MHz
Comments	Criterion A
Voltage	10 V (Test Level 3)

Voltage dips

Standards/regulations	EN 61000-4-11
Voltage	230 V AC
Frequency	50 Hz
Voltage dip	70 %
Number of periods	25 periods
Comments	Criterion A
Voltage dip	40 %
Number of periods	10 periods
Comments	Criterion A
Voltage dip	0 %
Number of periods	1 period
Comments	Criterion A

Emitted interference

Standards/regulations	EN 61000-6-3
Radio interference voltage in acc. with EN 55011	EN 55011 (EN 55022) Class B, area of application: Industry and residential
Emitted radio interference in acc. with EN 55011	EN 55011 (EN 55022) Class B, area of application: Industry and residential

Criteria

Criterion A	Normal operating behavior within the specified limits.
Criterion B	Temporary impairment to operational behavior that is corrected

TRIO-PS67/1AC/24DC/10/M12 - Power supply unit



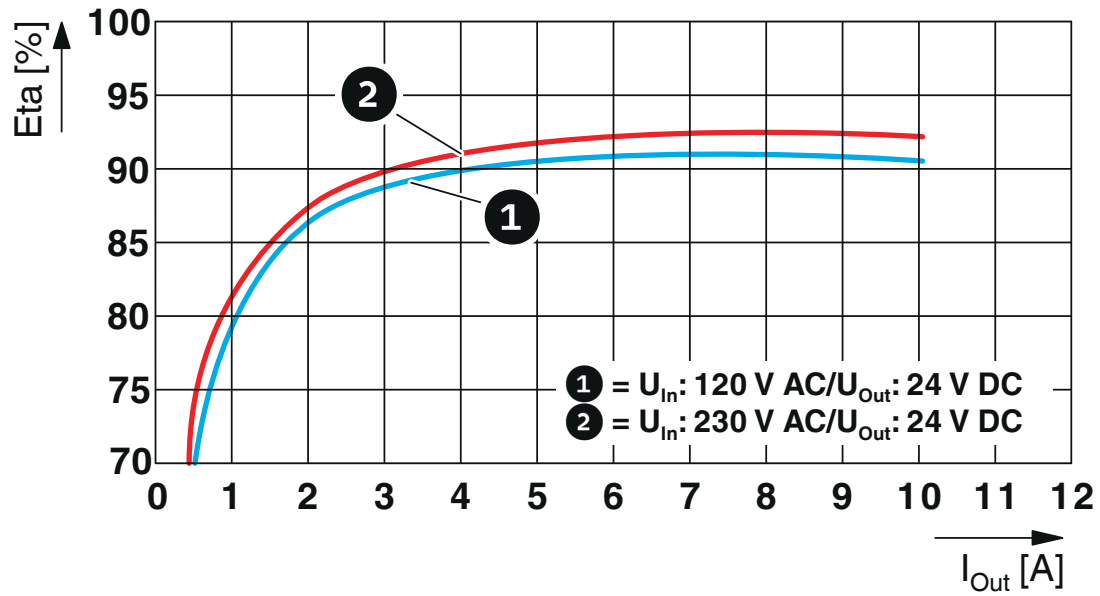
1111634

<https://www.phoenixcontact.com/in/products/1111634>

	by the device itself.
Criterion C	Temporary adverse effects on the operating behavior, which the device corrects automatically or which can be restored by actuating the operating elements.

Drawings

Diagram



Efficiency

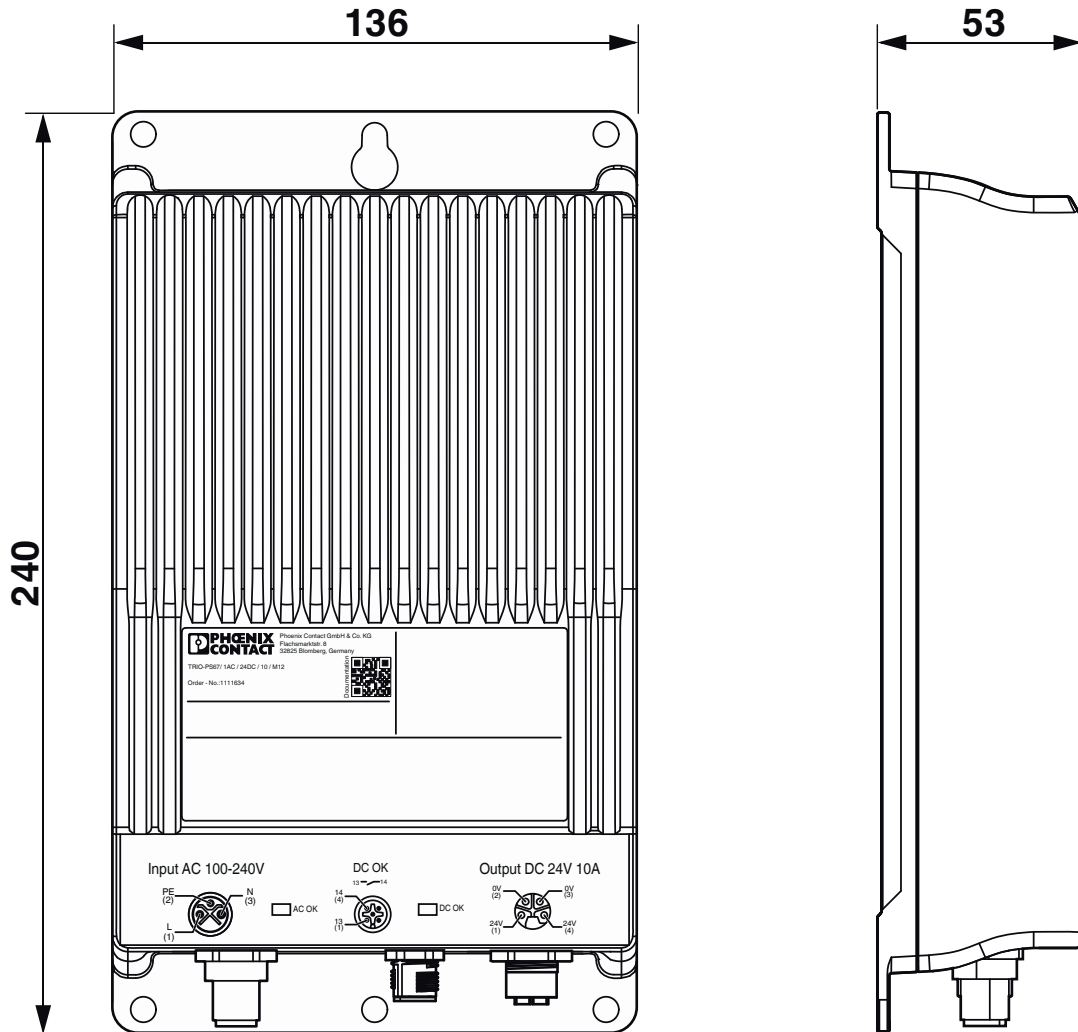
TRIO-PS67/1AC/24DC/10/M12 - Power supply unit



1111634

<https://www.phoenixcontact.com/in/products/1111634>

Dimensional drawing

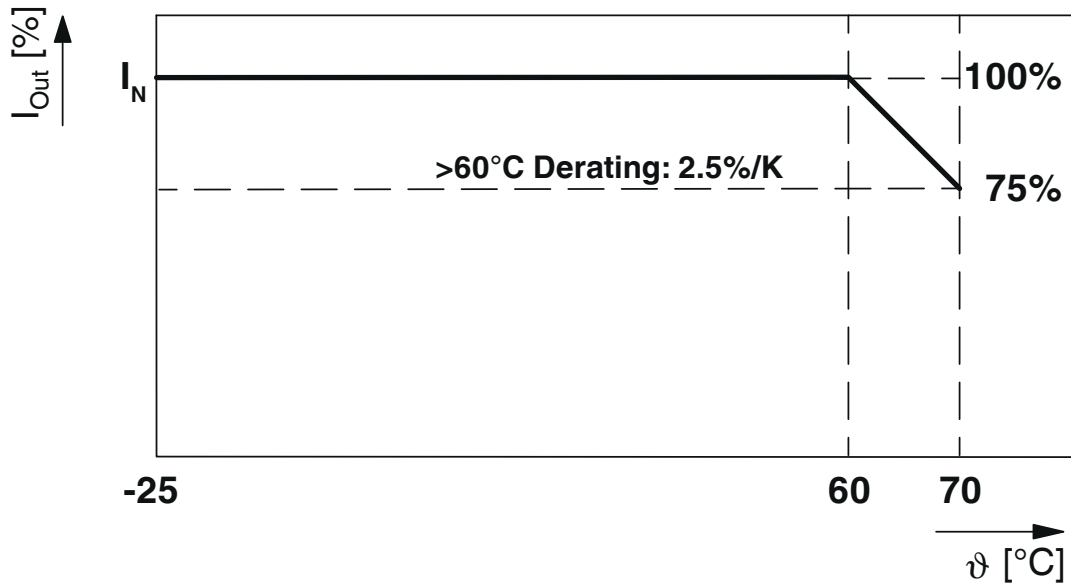


Device dimensions (dimensions in mm)

1111634

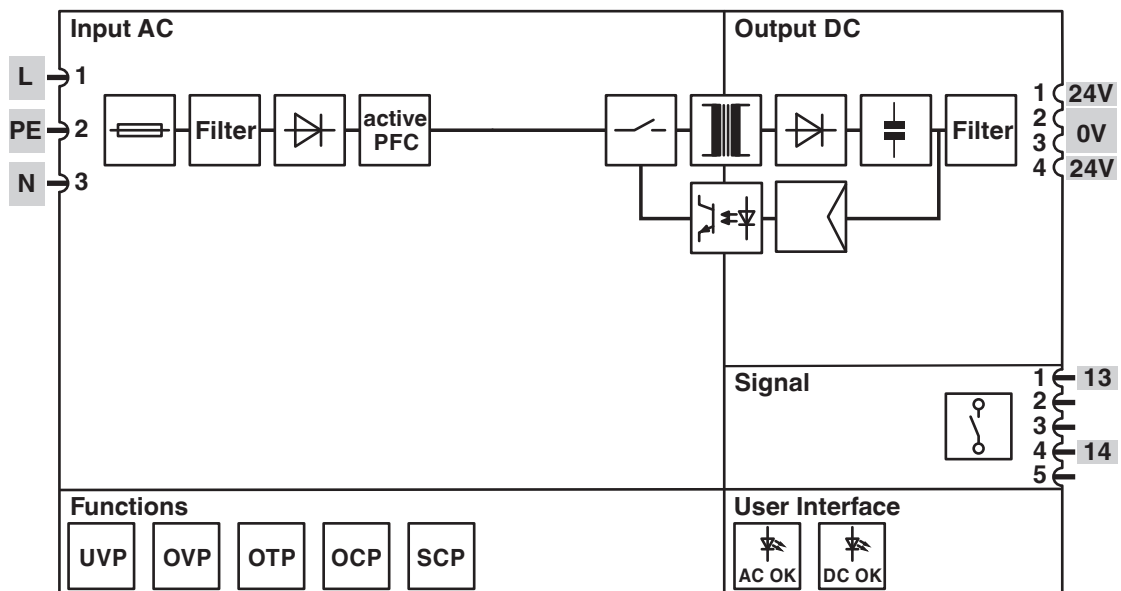
<https://www.phoenixcontact.com/in/products/1111634>

Diagram

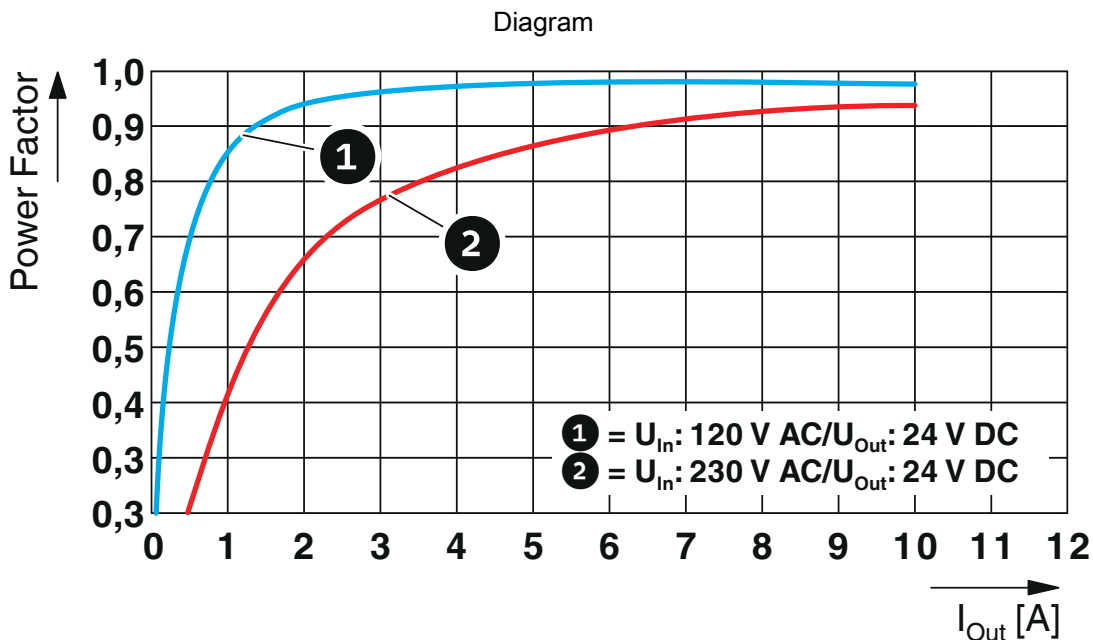


Output current/ambient temperature

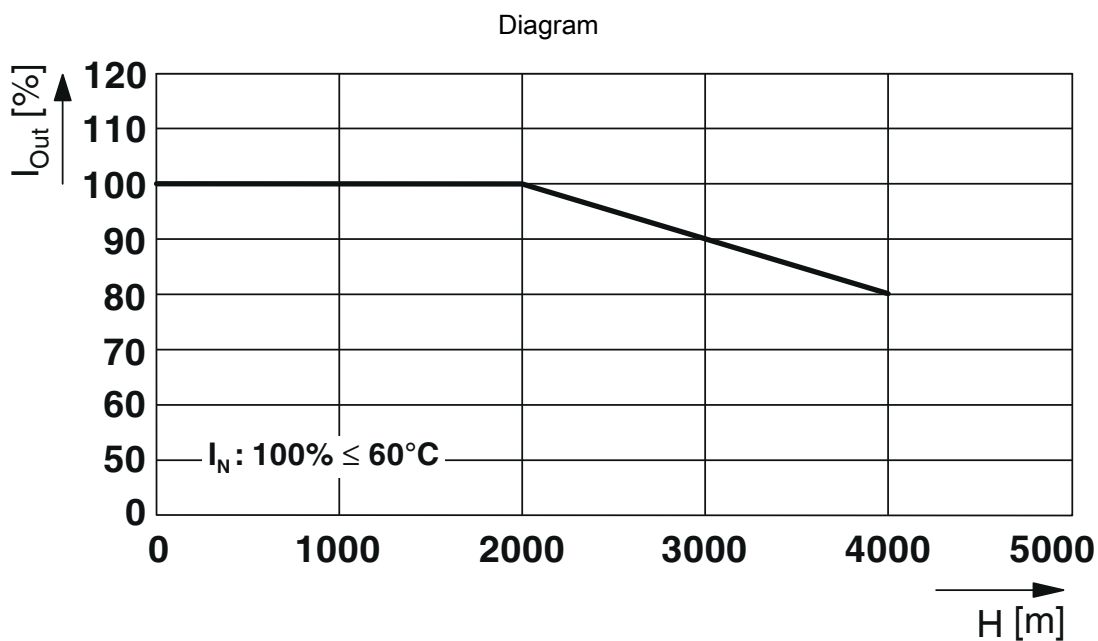
Block diagram



Block diagram

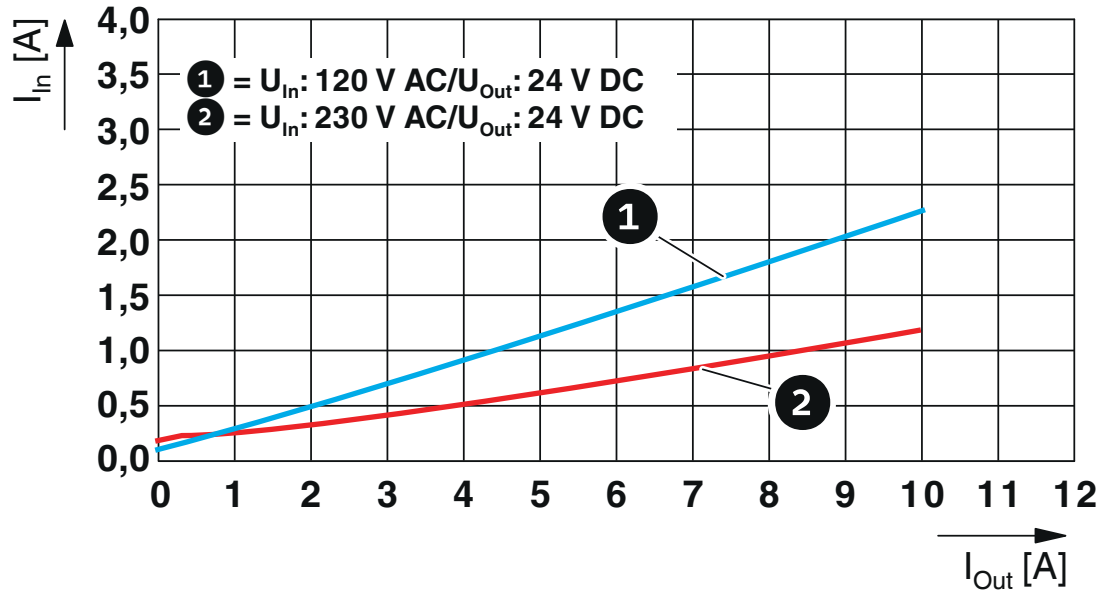


Power factor



Output current/installation altitude

Diagram



Input current/output current

TRIO-PS67/1AC/24DC/10/M12 - Power supply unit



1111634

<https://www.phoenixcontact.com/in/products/1111634>

Approvals



IECEE CB Scheme

Approval ID: DK-135371-A1-UL



cULus Listed

Approval ID: FILE E 123528



EAC

Approval ID: RU S-DE.BL08.W.00764

TRIO-PS67/1AC/24DC/10/M12 - Power supply unit



1111634

<https://www.phoenixcontact.com/in/products/1111634>

Classifications

ECLASS

ECLASS-11.0	27040701
ECLASS-12.0	27040701
ECLASS-13.0	27040701

ETIM

ETIM 8.0	EC002540
----------	----------

UNSPSC

UNSPSC 21.0	39121000
-------------	----------

TRIO-PS67/1AC/24DC/10/M12 - Power supply unit



1111634

<https://www.phoenixcontact.com/in/products/1111634>

Environmental Product Compliance

REACH SVHC	Lead 7439-92-1
China RoHS	Environmentally Friendly Use Period = 25;
	For information on hazardous substances, refer to the manufacturer's declaration available under "Downloads"

TRIO-PS67/1AC/24DC/10/M12 - Power supply unit



1111634

<https://www.phoenixcontact.com/in/products/1111634>

Accessories

SACC-M12FSS-2PEPL-CM SH - Power connector

1080227

<https://www.phoenixcontact.com/in/products/1080227>



Power connector, Power, 3-position, shielded, Socket straight M12, S, Push-lock spring connection, knurl material: Nickel-plated brass, external cable diameter 6 mm ... 11 mm

SAC-3P- 1,0-PUR/M12FSS PE - Power cable

1176479

<https://www.phoenixcontact.com/in/products/1176479>



Power cable, 3-position, free cable end, on Socket straight M12, coding: S, cable length: 1 m, For alternating current up to 16 A/250 V

TRIO-PS67/1AC/24DC/10/M12 - Power supply unit



1111634

<https://www.phoenixcontact.com/in/products/1111634>

SACC-M12MSL-4PL-CM SH - Power connector

1080239

<https://www.phoenixcontact.com/in/products/1080239>



Power connector, Power, 4-position, shielded, Plug straight M12, L, Push-lock spring connection, knurl material: Nickel-plated brass, external cable diameter 6 mm ... 11 mm

SAC-4P-M12MSL/ 1,5-105 - Power cable

1425025

<https://www.phoenixcontact.com/in/products/1425025>



Power cable, 4-position halogen-free, Plug straight M12, coding: L, on free cable end, cable length: 1.5 m, For direct current up to 12 A/63 V

TRIO-PS67/1AC/24DC/10/M12 - Power supply unit



1111634

<https://www.phoenixcontact.com/in/products/1111634>

SACC-M12FS-5PL M - Connector

1424652

<https://www.phoenixcontact.com/in/products/1424652>



Connector, Universal, 5-position, unshielded, Socket straight M12, A, Push-lock spring connection, knurl material: Zinc die-cast, nickel-plated, external cable diameter 4 mm ... 8 mm

SAC-5P- 1,5-PUR/M12FS - Sensor/actuator cable

1669822

<https://www.phoenixcontact.com/in/products/1669822>



Sensor/actuator cable, 5-position, PUR halogen-free, black-gray RAL 7021, free cable end, on Socket straight M12, coding: A, cable length: 1.5 m

Phoenix Contact 2023 © - all rights reserved
<https://www.phoenixcontact.com>

PHOENIX CONTACT (I) Pvt. Ltd.
A-58/2, Okhla Industrial Area, Phase - II, New Delhi-110 020

+91.1275.71420
info@phoenixcontact.co.in