

# HC-BB32-I-PT-F - Contact insert



1014421

<https://www.phoenixcontact.com/in/products/1014421>

Please be informed that the data shown in this PDF document is generated from our online catalog. Please find the complete data in the user documentation. Our general terms of use for downloads are valid.



Contact insert, number of positions: 32+PE, size: B16, power contacts: 32, control contacts: 0, number of connections per position: 1, Socket, Push-in connection, 500 V, 16 A, 0.5 mm<sup>2</sup> ... 2.5 mm<sup>2</sup>, application: Power

## Your advantages

- Easy installation without tools, even when mounted, with push-in connection technology
- Shortest installation time compared to other connection technologies
- Quick and effortless wiring, in particular when space is tight
- Automatic cabling with robots possible
- Safe wiring and operation with color-coded actuators
- Shock and vibration-resistant in accordance with DIN EN 61373
- Cost-effective and fast coding with plastic profiles
- High contact density

## Commercial data

Item number	1014421
Packing unit	1 pc
Minimum order quantity	1 pc
Sales key	BF7
Product key	BF7ABD
Catalog page	Page 553 (C-2-2019)
GTIN	4055626494142
Weight per piece (including packing)	119 g
Weight per piece (excluding packing)	119 g
Customs tariff number	85366990
Country of origin	CN

# HC-BB32-I-PT-F - Contact insert



1014421

<https://www.phoenixcontact.com/in/products/1014421>

## Technical data

### Notes

General	for flexible conductors with or without ferrules
General	Connectors may be operated only when there is no load/voltage.
General	Flexible conductors may be used without ferrules as long as they comply with IEC 60228 Class 1 ... 5. The individual litz wires must have a min. diameter of 0.17 mm.

### Mounting

Assembly note	To ensure correct use, installation in housing with IP54 protection or better is required
---------------	---

### Product properties

Product type	Contact insert with a fixed no. of positions
Series	HC-BB
Application	Power
Type	B16
Number of positions	32
Connection profile	32+PE
Contact numbering	1 - 32
Number of connections per position	1
No. of power contacts	32
No. of control contacts	0
Contact material type	turned

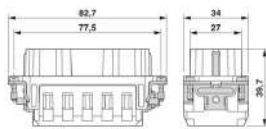
### Data management status

Article revision	03
------------------	----

### Insulation characteristics

Overvoltage category	III
Degree of pollution	3

### Dimensions

Dimensional drawing	
Width	34 mm
Height	33.2 mm
Length	84.5 mm
Drill hole distance, horizontal	77.5 mm
Drill hole distance, vertical	27 mm

### Mechanical characteristics

# HC-BB32-I-PT-F - Contact insert



1014421

<https://www.phoenixcontact.com/in/products/1014421>

Minimum housing height	72 mm
Contact diameter	2.5 mm

## Connection data

### Connection technology

Connection technology	Push-in connection
Number of connections per position	1
Connection in acc. with standard	IEC / EN

### Conductor connection

Conductor cross section	0.5 mm <sup>2</sup> ... 2.5 mm <sup>2</sup>
Connection cross section AWG	20 ... 14
Tightening torque	0.8 Nm ... 1.2 Nm (PE connection) 0.5 Nm ... 0.8 Nm (Mounting screws for mounting in the HEAVYCON housing)
Stripping length of the individual wire	10 mm

## Electrical properties

Rated voltage (III/3)	500 V
Rated surge voltage	6 kV
Rated current	16 A (power contacts)

## Mechanical properties

### Mechanical data

Insertion/withdrawal cycles	≥ 500
-----------------------------	-------

## Material specifications

Flammability rating according to UL 94	V0
Contact material	Copper alloy
Contact surface material	Ag
Contact carrier material	PC
Standards/regulations	PC: Fire protection in rail vehicles - requirement sets R22, R23, and R24 acc. to DIN EN 45545-2 (Risk level HL1 - HL3)

## Environmental and real-life conditions

### Ambient conditions

Ambient temperature (operation)	-40 °C ... 125 °C (including heating up of contacts)
---------------------------------	--

## Standards and regulations

### Testing

Standards/regulations	PC: Fire protection in rail vehicles - requirement sets R22, R23, and R24 acc. to DIN EN 45545-2 (Risk level HL1 - HL3)
-----------------------	---

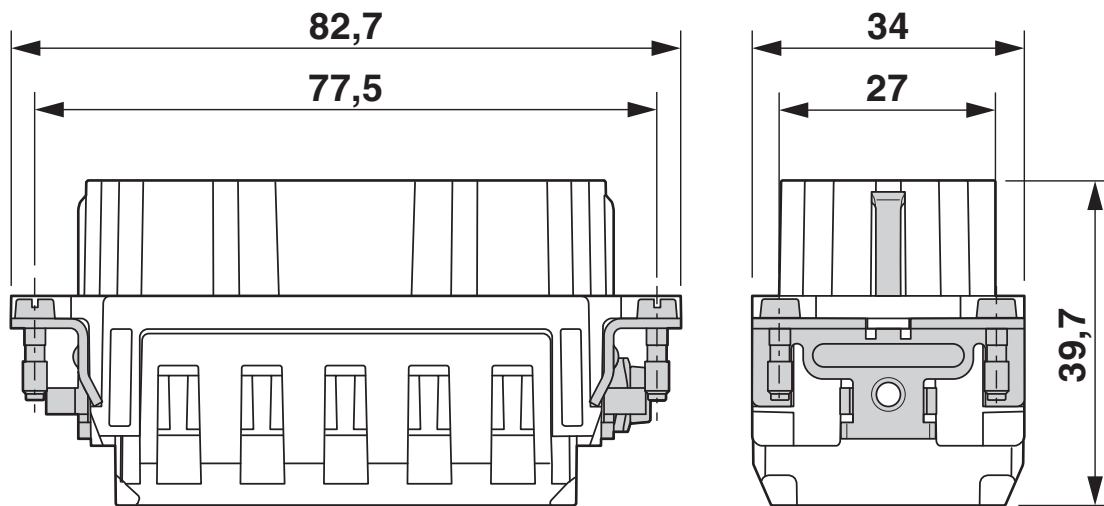
# HC-BB32-I-PT-F - Contact insert

1014421

<https://www.phoenixcontact.com/in/products/1014421>

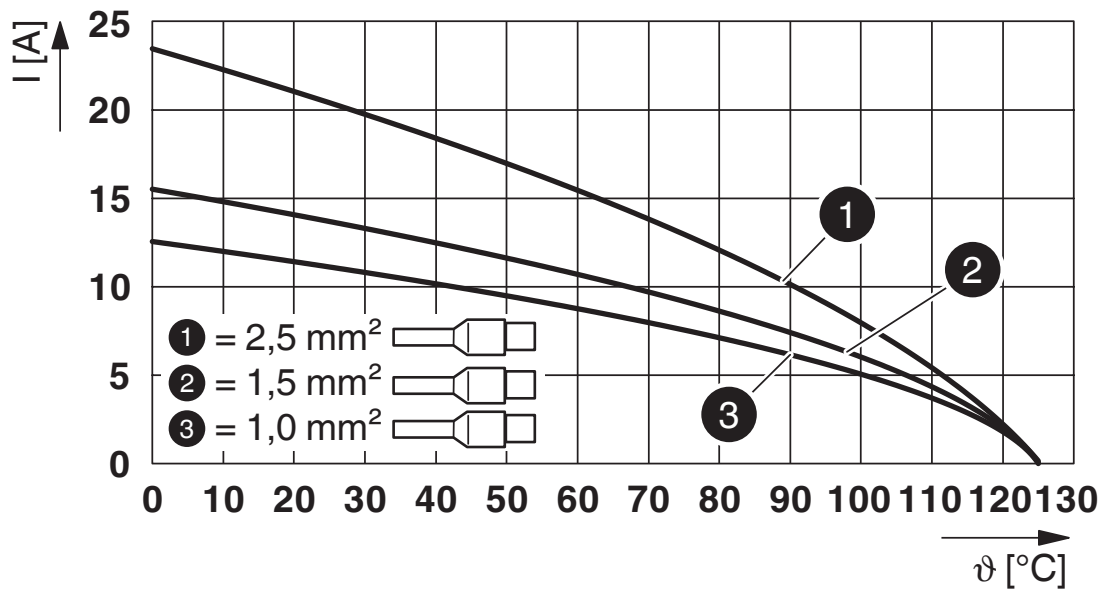
## Drawings

Dimensional drawing



## Female insert

Diagram

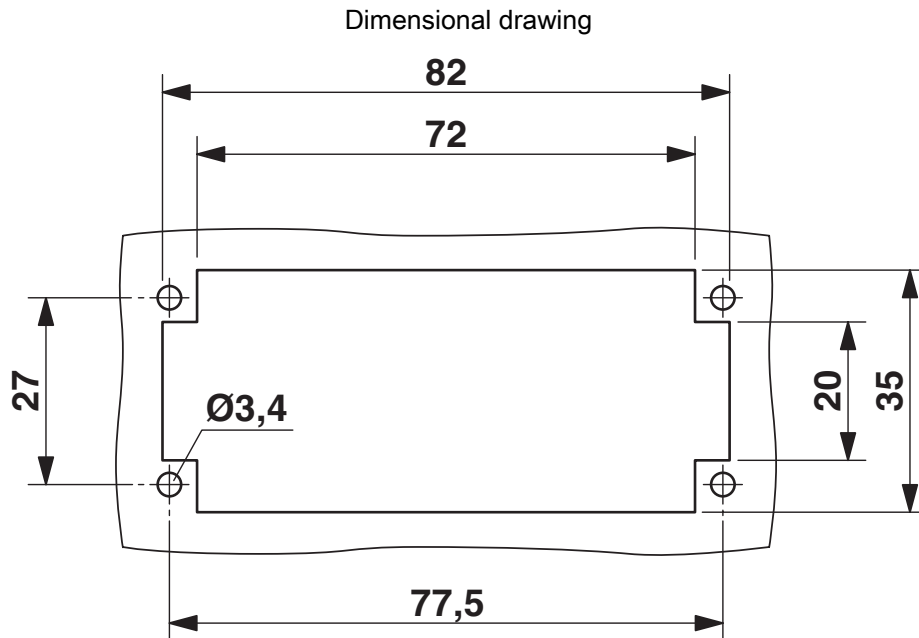


Derating diagram for flexible conductors with ferrule

# HC-BB32-I-PT-F - Contact insert

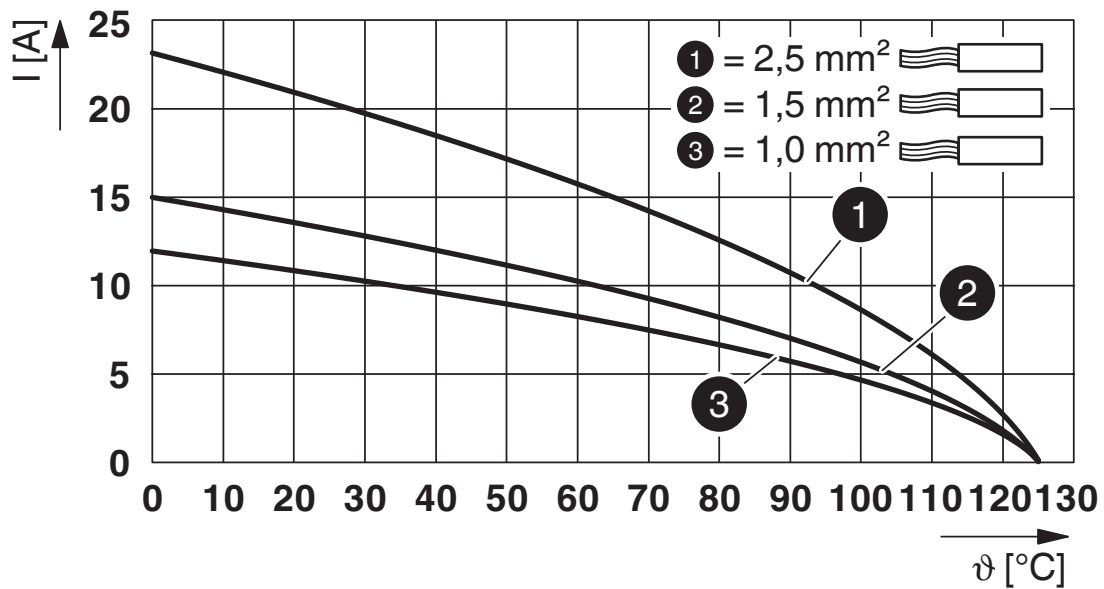
1014421

<https://www.phoenixcontact.com/in/products/1014421>



Mounting cutout when used without housing

Diagram



Derating diagram for flexible conductors

# HC-BB32-I-PT-F - Contact insert



1014421

<https://www.phoenixcontact.com/in/products/1014421>

## Approvals

To download certificates, visit the product detail page: <https://www.phoenixcontact.com/in/products/1014421>

**DNV**

Approval ID: TAE000037S



**EAC**

Approval ID: RU C-DE.BL08.B.00511



**UL Recognized**

Approval ID: E468743

	Nominal voltage $U_N$	Nominal current $I_N$	Cross section AWG	Cross section $\text{mm}^2$
Use group keine	600 V	17 A	- 14	-

# HC-BB32-I-PT-F - Contact insert



1014421

<https://www.phoenixcontact.com/in/products/1014421>

## Classifications

### ECLASS

ECLASS-11.0	27440205
ECLASS-12.0	27440205
ECLASS-13.0	27440205

### ETIM

ETIM 8.0	EC000438
----------	----------

### UNSPSC

UNSPSC 21.0	39121500
-------------	----------

# HC-BB32-I-PT-F - Contact insert



1014421

<https://www.phoenixcontact.com/in/products/1014421>

## Environmental product compliance

### EU RoHS

Fulfills EU RoHS substance requirements	Yes, No exemptions
---	--------------------

### China RoHS

Environment friendly use period (EFUP)	EFUP-E
	No hazardous substances above the limits

### EU REACH SVHC

REACH candidate substance (CAS No.)	No substance above 0.1 wt%
-------------------------------------	----------------------------



# HC-BB32-I-PT-F - Contact insert

1014421

<https://www.phoenixcontact.com/in/products/1014421>



## Accessories

### CP-HC-S - Coding profile

1410916

<https://www.phoenixcontact.com/in/products/1410916>

Coding profile, for contact inserts HC-BB... / HC-A10... / HC-A16...



---

### HC-CB - Coding bolt

1772722

<https://www.phoenixcontact.com/in/products/1772722>

Coding pin, prevents mismatching of up to six connectors with an identical number of positions



# HC-BB32-I-PT-F - Contact insert

1014421

<https://www.phoenixcontact.com/in/products/1014421>



## HC-CST - Coding element

1676857

<https://www.phoenixcontact.com/in/products/1676857>



Coding peg for coding up to 16 connectors

---

## HC-CBU - Coding element

1676860

<https://www.phoenixcontact.com/in/products/1676860>



Coding socket for coding up to 16 connectors

# HC-BB32-I-PT-F - Contact insert

1014421

<https://www.phoenixcontact.com/in/products/1014421>



## HC-B-PE-PT - Adapter

1054672

<https://www.phoenixcontact.com/in/products/1054672>



PE adapter with PT connection, for 1 PE connection, for HC-B / HC-BB / HC-DD / HC-D40 / HC-D64 contact inserts

---

## HC-B-2PE-PT - PE multiplier

1054675

<https://www.phoenixcontact.com/in/products/1054675>



PE adapter with PT connection, for 2 PE connections, for HC-B / HC-BB / HC-DD / HC-D40 / HC-D64 contact inserts

# HC-BB32-I-PT-F - Contact insert

1014421

<https://www.phoenixcontact.com/in/products/1014421>



## HC-B-3PE - PE multiplier

1644326

<https://www.phoenixcontact.com/in/products/1644326>

PE multiplier, for 3 PE connections, for HC-B / HC-BB / HC-DD / HC-D40 / HC-D64 contact inserts



---

## HC-B-PES - Screw

1604997

<https://www.phoenixcontact.com/in/products/1604997>

PE screw, for contact inserts HC-B / HC-BB / HC-DD / HC-D40 / HC-D64



# HC-BB32-I-PT-F - Contact insert

1014421

<https://www.phoenixcontact.com/in/products/1014421>



## HC-B-ZG - Strain relief clamp

1685327

<https://www.phoenixcontact.com/in/products/1685327>



Strain relief clamps contact inserts of series: B-, BB-, D 40, D 64, DD and HV, straight cable exit

---

## HC-B-ZS - Strain relief clamp

1685330

<https://www.phoenixcontact.com/in/products/1685330>



Strain relief clamps contact inserts of series: B-, BB-, D 40, D 64, DD and HV, lateral cable exit

# HC-BB32-I-PT-F - Contact insert

1014421

<https://www.phoenixcontact.com/in/products/1014421>



## HC-CIF-B16-HFWL-PL - DIN rail mounting frame

1424336

<https://www.phoenixcontact.com/in/products/1424336>



DIN rail mounting frame, design: B16, for contact inserts, Top frame

---

## HC-B 16-ANDOCK - Docking frame

1586138

<https://www.phoenixcontact.com/in/products/1586138>



Docking frame for racks, for contact inserts of B16 type, with four M5 flat headed screws, rack balance x/y axis  $\pm 1.5$  mm

# HC-BB32-I-PT-F - Contact insert

1014421

<https://www.phoenixcontact.com/in/products/1014421>



## HC-CIF-B06-24-BFAFL-PL - DIN rail mounting frame

1424338

<https://www.phoenixcontact.com/in/products/1424338>



DIN rail mounting frame, design: B6 - B24, for contact inserts, Base frame

---

## HC-B24/16-ADP-SS - Adapter plate

1034216

<https://www.phoenixcontact.com/in/products/1034216>



Adapter plate, design: B24 to B16

# HC-BB32-I-PT-F - Contact insert

1014421

<https://www.phoenixcontact.com/in/products/1014421>



## HC-BB32-I-PT-M - Contact insert

1014422

<https://www.phoenixcontact.com/in/products/1014422>



Contact insert, number of positions: 32+PE, size: B16, power contacts: 32, control contacts: 0, number of connections per position: 1, Pin, Push-in connection, 500 V, 16 A, 0.5 mm<sup>2</sup> ... 2.5 mm<sup>2</sup>, application: Power

---

## CF CRIMPHANDY 0,5 - Electrical crimping tool

1212463

<https://www.phoenixcontact.com/in/products/1212463>



Mobile handheld device, battery-powered, for processing on-tape ferrules 0.5 mm<sup>2</sup> with functional end, suitable for PVC insulated conductors (H05V-K), incl. battery, charger, CUTFOX 12 cable cutter, waste guide plate 2, service tool for error correction, and one strip of ferrules 0.5 mm<sup>2</sup>, packed in a robust case.



# HC-BB32-I-PT-F - Contact insert

1014421

<https://www.phoenixcontact.com/in/products/1014421>



## CF CRIMPHANDY 0,75 - Electrical crimping tool

1212464

<https://www.phoenixcontact.com/in/products/1212464>



Mobile handheld device, battery-powered, for processing on-tape ferrules 0.75 mm<sup>2</sup> with functional end, suitable for PVC insulated conductors (H05V-K), incl. battery, charger, CUTFOX 12 cable cutter, waste guide plate 2, service tool for error correction, and one strip of ferrules 0.75 mm<sup>2</sup>, packed in a robust case.

---

## CF CRIMPHANDY 1,0 - Electrical crimping tool

1212465

<https://www.phoenixcontact.com/in/products/1212465>



Mobile handheld device, battery-powered, for processing on-tape ferrules 1.0 mm<sup>2</sup> with functional end, suitable for PVC insulated conductors (H05V-K), incl. battery, charger, CUTFOX 12 cable cutter, waste guide plate 2, service tool for error correction, and one strip of ferrules 1.0 mm<sup>2</sup>, packed in a robust case.

# HC-BB32-I-PT-F - Contact insert

1014421

<https://www.phoenixcontact.com/in/products/1014421>



## CF CRIMPHANDY 1,5 - Electrical crimping tool

1212466

<https://www.phoenixcontact.com/in/products/1212466>



Mobile handheld device, battery-powered, for processing on-tape ferrules 1.5 mm<sup>2</sup> with functional end, suitable for PVC insulated conductors (H07V-K), incl. battery, charger, CUTFOX 12 cable cutter, waste guide plate 2, service tool for error correction, and one strip of ferrules 1.5 mm<sup>2</sup>, packed in a robust case.

---

## CRIMPFOX 6 - Crimping pliers

1212034

<https://www.phoenixcontact.com/in/products/1212034>



Crimping pliers, for ferrules without insulating collar according to DIN 46228 Part 1 and ferrules with insulating collar according to DIN 46228 Part 4, 0.25 mm<sup>2</sup> ... 6.0 mm<sup>2</sup>, lateral entry, trapezoidal crimp

# HC-BB32-I-PT-F - Contact insert

1014421

<https://www.phoenixcontact.com/in/products/1014421>



## CRIMPFOX CENTRUS 10S - Crimping pliers

1213154

<https://www.phoenixcontact.com/in/products/1213154>



Crimping pliers, for uninsulated and insulated ferrules, DIN 46228 Part 1 and 4, from 0.14 mm<sup>2</sup> ... 10 mm<sup>2</sup>, also for TWIN ferrules up to 2 x 4 mm<sup>2</sup>, automatic cross section adjustment, lateral insertion, equipped with fall protection

---

## CRIMPFOX CENTRUS 6S - Crimping pliers

1213144

<https://www.phoenixcontact.com/in/products/1213144>



Crimping pliers, for uninsulated and insulated ferrules, DIN 46228 Part 1 and 4, from 0.14 mm<sup>2</sup> ... 6 mm<sup>2</sup>, also for TWIN ferrules up to 2 x 4 mm<sup>2</sup>, automatic cross section adjustment, lateral insertion, equipped with fall protection

---

Phoenix Contact 2024 © - all rights reserved  
<https://www.phoenixcontact.com>

PHOENIX CONTACT (I) Pvt. Ltd.  
A-58/2, Okhla Industrial Area, Phase - II, New Delhi-110 020

+91.1275.71420  
[info@phoenixcontact.co.in](mailto:info@phoenixcontact.co.in)