

# TMC 1 M1 100 10,0A - Thermomagnetic device circuit breaker



0914523

<https://www.phoenixcontact.com/in/products/0914523>

Please be informed that the data shown in this PDF document is generated from our Online Catalog. Please find the complete data in the user documentation. Our General Terms of Use for Downloads are valid.



Thermomagnetic circuit breaker, 1-pos., normal blow, 1 N/O contact, with universal foot for mounting on NS 32 or NS 35

## Commercial Data

Item number	0914523
Packing unit	6 pc
Minimum order quantity	1 pc
Sales Key	CLA
Product Key	CLA121
Catalog Page	Page 282 (CL-2002)
GTIN	4017918009205
Weight per Piece (including packing)	62.7 g
Weight per Piece (excluding packing)	62.7 g
Customs tariff number	85362010
Country of origin	DE

# TMC 1 M1 100 10,0A - Thermomagnetic device circuit breaker



0914523

<https://www.phoenixcontact.com/in/products/0914523>

## Technical Data

### Product properties

Type	DIN rail module, one-piece
Product type	Thermomagnetic device circuit breakers
Product family	TMC
Number of positions	1
Number of connections	4
Number of rows	2
No. of channels	1

### Insulation characteristics

Overvoltage category	II
Degree of pollution	2

### Electrical properties

No. of channels	1
Fuse type	Automatic device

### General

Rated voltage	250 V AC
	65 V DC
Rated current $I_N$	10 A
Rated surge voltage	2.5 kV
Insulation resistance $R_{iso}$	> 100 M $\Omega$ (500 V DC)
Auxiliary circuit	240 V AC / 1 A (Low-induction)
	65 V AC / 1 A (Low-induction)
Tripping method	TM (thermomagnetic)
Device resistance	0.02 $\Omega$
Rated short-circuit switching capacity $I_{cn}$	800 A
	2500 A (32 V DC)
Short-circuit switching capacity	5000 A (UL 1077: 277 V AC)
	2000 A (UL 1077: 65 V DC)
Dielectric strength	3000 V AC (Actuation area)
	3000 V AC (Main to auxiliary circuit)
Switching cycles, max.	10000 (At $1 \times I_N$ , inductive)
Fuse	M1 (normal blow)

### Indicator/remote signaling

Connection name	Auxiliary contact
Operating voltage	240 V AC
	65 V DC
Operating current	10 A AC (Low-induction)

### Connection data

# TMC 1 M1 100 10,0A - Thermomagnetic device circuit breaker



0914523

<https://www.phoenixcontact.com/in/products/0914523>

## Main contact

Screw thread	M3
Tightening torque	0.6 ... 0.8 Nm
Stripping length	12 mm
Internal cylindrical gage	A3
Conductor cross section rigid	0.2 mm <sup>2</sup> ... 6 mm <sup>2</sup>
Cross section AWG	24 ... 10 (converted acc. to IEC)
Conductor cross section flexible	0.2 mm <sup>2</sup> ... 4 mm <sup>2</sup>
Conductor cross-section flexible (ferrule without plastic sleeve)	0.25 mm <sup>2</sup> ... 4 mm <sup>2</sup>
Flexible conductor cross section (ferrule with plastic sleeve)	0.25 mm <sup>2</sup> ... 2.5 mm <sup>2</sup>
2 conductors with same cross section, solid	0.2 mm <sup>2</sup> ... 0.75 mm <sup>2</sup>
2 conductors with same cross section, flexible	0.2 mm <sup>2</sup> ... 0.75 mm <sup>2</sup>
2 conductors with same cross section, flexible, with ferrule without plastic sleeve	0.25 mm <sup>2</sup> ... 1 mm <sup>2</sup>
2 conductors with the same cross section, flexible, with TWIN ferrule with plastic sleeve	0.5 mm <sup>2</sup> ... 2.5 mm <sup>2</sup>
Nominal current	10 A
Nominal voltage	250 V AC 65 V DC

## Auxiliary contact

Screw thread	M3
Tightening torque	0.6 ... 0.8 Nm
Stripping length	12 mm
Internal cylindrical gage	A1
Conductor cross section rigid	0.2 mm <sup>2</sup> ... 2.5 mm <sup>2</sup>
Cross section AWG	24 ... 14 (converted acc. to IEC)
Conductor cross section flexible	0.2 mm <sup>2</sup> ... 1.5 mm <sup>2</sup>
Conductor cross-section flexible (ferrule without plastic sleeve)	0.25 mm <sup>2</sup> ... 2.5 mm <sup>2</sup>
Flexible conductor cross section (ferrule with plastic sleeve)	0.25 mm <sup>2</sup> ... 1.5 mm <sup>2</sup>
2 conductors with same cross section, solid	0.2 m <sup>2</sup> ... 0.75 m <sup>2</sup>
2 conductors with same cross section, flexible	0.2 m <sup>2</sup> ... 0.75 mm <sup>2</sup>
2 conductors with same cross section, flexible, with ferrule without plastic sleeve	0.25 mm <sup>2</sup> ... 0.5 mm <sup>2</sup>
2 conductors with the same cross section, flexible, with TWIN ferrule with plastic sleeve	0.5 mm <sup>2</sup> ... 0.75 mm <sup>2</sup>
Nominal current	10 A
Nominal voltage	250 V AC 65 V DC

## Main contact

Connection method	Screw connection
Screw thread	M3
Tightening torque	0.6 Nm ... 0.8 Nm
Stripping length	12 mm

# TMC 1 M1 100 10,0A - Thermomagnetic device circuit breaker



0914523

<https://www.phoenixcontact.com/in/products/0914523>

Conductor cross section flexible	0.2 mm <sup>2</sup> ... 4 mm <sup>2</sup>
Conductor cross section rigid	0.2 mm <sup>2</sup> ... 6 mm <sup>2</sup>
Conductor cross section AWG	24 ... 10
Conductor cross section, flexible, with ferrule, with plastic sleeve	0.25 mm <sup>2</sup> ... 2.5 mm <sup>2</sup>
Conductor cross section flexible, with ferrule without plastic sleeve	0.25 mm <sup>2</sup> ... 4 mm <sup>2</sup>

## Auxiliary contact

Connection method	Screw connection
Screw thread	M3
Tightening torque	0.6 Nm ... 0.8 Nm
Conductor cross section flexible	0.2 mm <sup>2</sup> ... 1.5 mm <sup>2</sup>
Conductor cross section rigid	0.2 mm <sup>2</sup> ... 2.5 mm <sup>2</sup>
Conductor cross section AWG	24 ... 14
Conductor cross section, flexible, with ferrule, with plastic sleeve	0.25 mm <sup>2</sup> ... 1.5 mm <sup>2</sup>
Conductor cross section flexible, with ferrule without plastic sleeve	0.25 mm <sup>2</sup> ... 2.5 mm <sup>2</sup>

## Dimensions

Dimensional drawing		
Width		12.5 mm
Height		82.5 mm
Depth		96 mm

## Material specifications

Color	black
Flammability rating according to UL 94	V-2
Insulating material group	II
Insulating material	PA66

## Mechanical properties

### Mechanical data

Open side panel	No
-----------------	----

## Environmental and real-life conditions

### Ambient conditions

Degree of protection	IP30 (Actuation area)
	IP20 (Connection area)

# TMC 1 M1 100 10,0A - Thermomagnetic device circuit breaker



0914523

<https://www.phoenixcontact.com/in/products/0914523>

Ambient temperature (operation)	-30 °C ... 60 °C
Humidity test	240 h, 95 % RH, 40 °C

## Standards and regulations

Standards/specifications	EN 60934
Standards/specifications	UL 1077

## Mounting

Mounting type	DIN rail: 35 mm
---------------	-----------------

# TMC 1 M1 100 10,0A - Thermomagnetic device circuit breaker

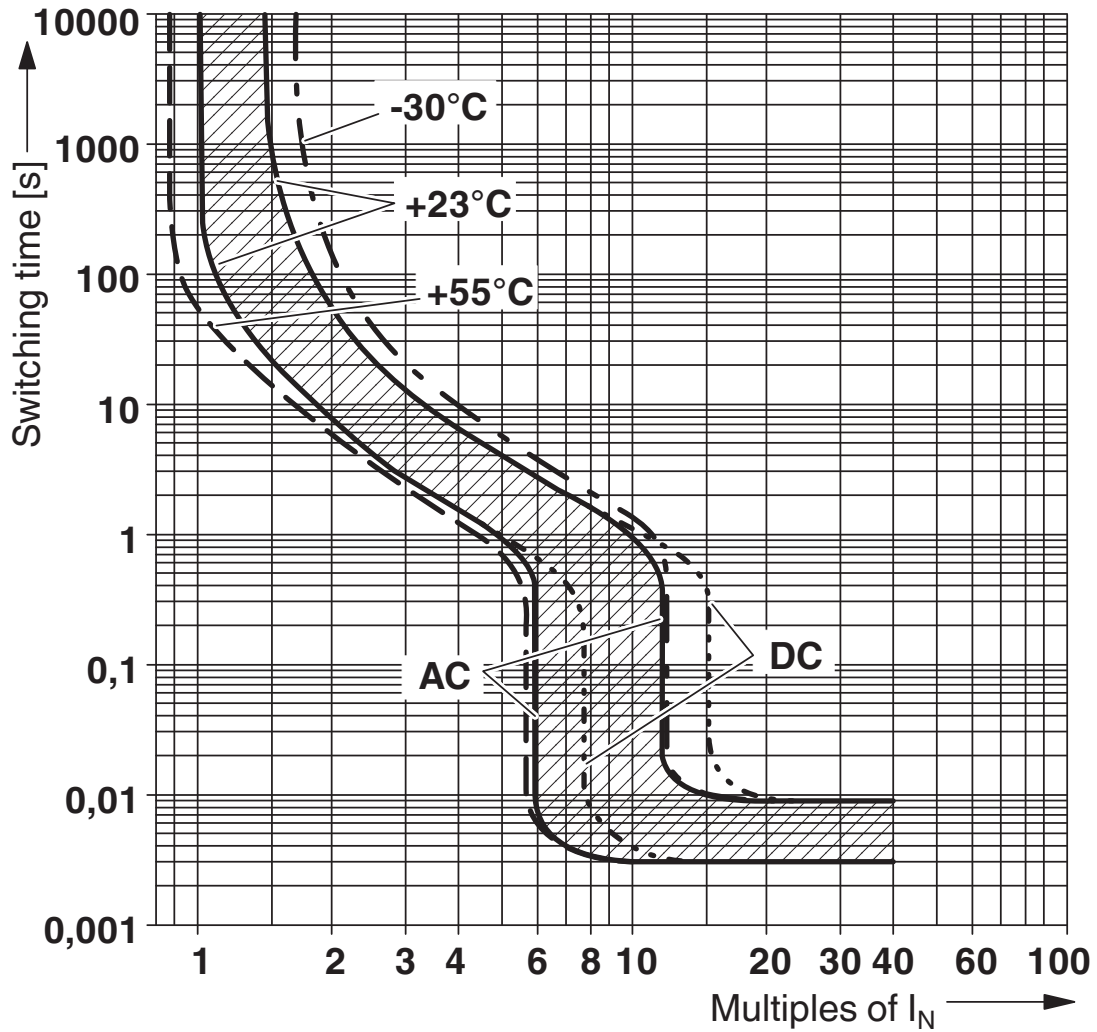


0914523

<https://www.phoenixcontact.com/in/products/0914523>

## Drawings

Diagram

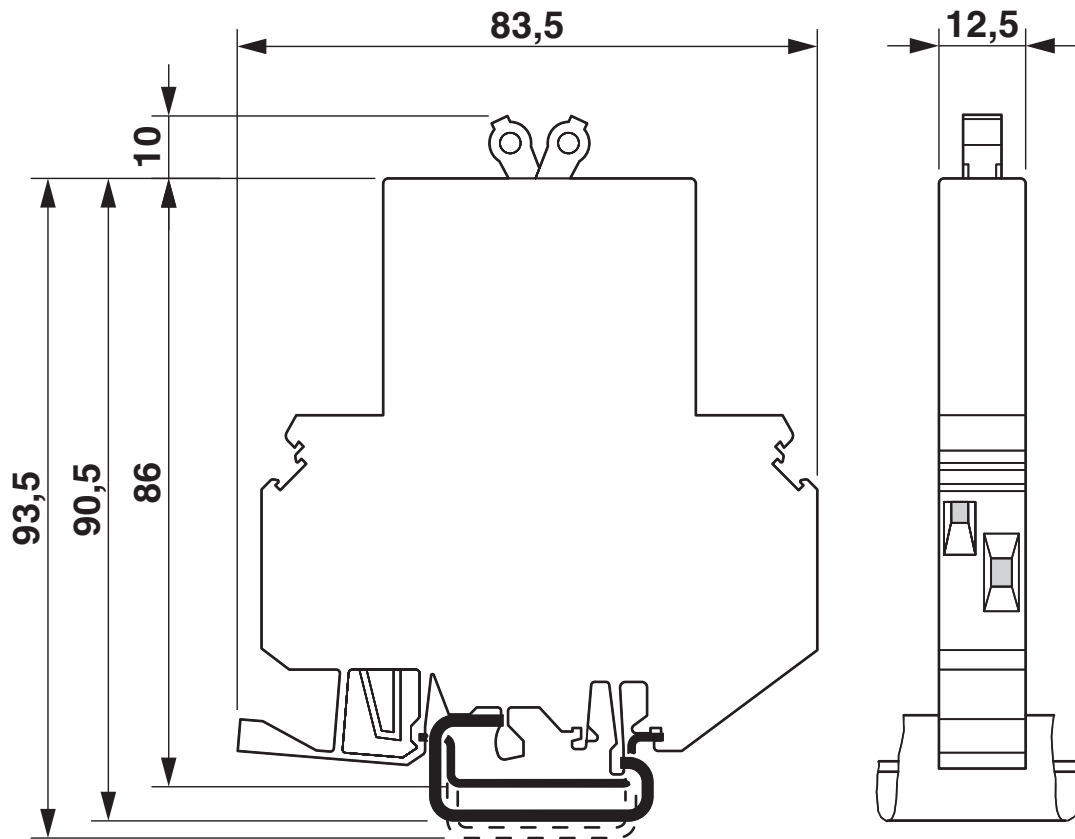


# TMC 1 M1 100 10,0A - Thermomagnetic device circuit breaker

0914523

<https://www.phoenixcontact.com/in/products/0914523>

Dimensional drawing



# TMC 1 M1 100 10,0A - Thermomagnetic device circuit breaker



0914523

<https://www.phoenixcontact.com/in/products/0914523>

## Approvals



**CSA**

Approval ID: 074317



**UL Recognized**

Approval ID: FILE E 140459



**EAC**

Approval ID: EAC-Zulassung



**EAC**

Approval ID: RU C-DE.A\*30.B01546



**VDE Zeichengenehmigung**

Approval ID: 40029348



# TMC 1 M1 100 10,0A - Thermomagnetic device circuit breaker



0914523

<https://www.phoenixcontact.com/in/products/0914523>

## Classifications

### ECLASS

ECLASS-11.0	27141116
ECLASS-12.0	27141116
ECLASS-13.0	27250113

### ETIM

ETIM 8.0	EC000899
----------	----------

### UNSPSC

UNSPSC 21.0	39121400
-------------	----------

# TMC 1 M1 100 10,0A - Thermomagnetic device circuit breaker



0914523

<https://www.phoenixcontact.com/in/products/0914523>

## Environmental Product Compliance

REACH SVHC	Lead 7439-92-1
China RoHS	Environmentally Friendly Use Period = 25;
	For information on hazardous substances, refer to the manufacturer's declaration available under "Downloads"


# TMC 1 M1 100 10,0A - Thermomagnetic device circuit breaker



0914523

<https://www.phoenixcontact.com/in/products/0914523>

## Accessories

 Note: Applying some accessories below might limit this product.


### EB 80-12 - Insertion bridge

3009338

<https://www.phoenixcontact.com/in/products/3009338>



Insertion bridge, pitch: 12 mm, number of positions: 80, color: gray

 Max. current carrying capacity: 50 A

### SZS 0,6X3,5 - Screwdriver

1205053

<https://www.phoenixcontact.com/in/products/1205053>



Actuation tool, for ST terminal blocks, insulated, also suitable for use as a bladed screwdriver, size: 0.6 x 3.5 x 100 mm, 2-component grip, with non-slip grip

# TMC 1 M1 100 10,0A - Thermomagnetic device circuit breaker



0914523

<https://www.phoenixcontact.com/in/products/0914523>

## NS 35/ 7,5 CU UNPERF 2000MM-VPE 10 - DIN rail, unperforated

0801762

<https://www.phoenixcontact.com/in/products/0801762>



DIN rail, unperforated, acc. to EN 60715, material: Copper, uncoated, Standard profile, color: copper-colored, Pack of 10 (20 m)

---

## NS 32 CU/120QMM UNPERF 2000MM - DIN rail, unperforated

1201280

<https://www.phoenixcontact.com/in/products/1201280>



DIN rail, unperforated, similar to EN 60715, material: Copper, uncoated, G profile, color: copper-colored

# TMC 1 M1 100 10,0A - Thermomagnetic device circuit breaker



0914523

<https://www.phoenixcontact.com/in/products/0914523>

## NS 35/15 UNPERF 2000MM - DIN rail, unperforated

1201714

<https://www.phoenixcontact.com/in/products/1201714>



DIN rail, unperforated, similar to EN 60715, material: Steel, galvanized, passivated with a thick layer, Standard profile, color: silver, Pack of 25 (50 m)

---

## NS 32 CU/35QMM UNPERF 2000MM-VPE 10 - DIN rail, unperforated

1201358

<https://www.phoenixcontact.com/in/products/1201358>



DIN rail, unperforated, acc. to EN 60715, material: Copper, uncoated, G profile, color: copper-colored, Pack of 10 (20 m)

# TMC 1 M1 100 10,0A - Thermomagnetic device circuit breaker



0914523

<https://www.phoenixcontact.com/in/products/0914523>

## NS 32 AL UNPERF 2000MM - DIN rail, unperforated

1201028

<https://www.phoenixcontact.com/in/products/1201028>



DIN rail, unperforated, similar to EN 60715, material: Aluminum, uncoated, G profile, color: silver

---

## NS 32 UNPERF 2000MM-VPE 10 - DIN rail, unperforated

1201015

<https://www.phoenixcontact.com/in/products/1201015>



DIN rail, unperforated, acc. to EN 60715, material: Steel, galvanized, passivated with a thick layer, G profile, color: silver, Pack of 10 (20 m)

# TMC 1 M1 100 10,0A - Thermomagnetic device circuit breaker

0914523

<https://www.phoenixcontact.com/in/products/0914523>

## NS 32 PERF 2000MM-VPE 10 - DIN rail perforated

1201002

<https://www.phoenixcontact.com/in/products/1201002>



DIN rail perforated, acc. to EN 60715, material: Steel, galvanized, passivated with a thick layer, G profile, color: silver, Pack of 10 (20 m)

---

## NS 35/15 CU UNPERF 2000MM-VPE 10 - DIN rail, unperforated

1201895

<https://www.phoenixcontact.com/in/products/1201895>



DIN rail, unperforated, similar to EN 60715, material: Copper, uncoated, Standard profile, color: copper-colored, Pack of 10 (20 m)

# TMC 1 M1 100 10,0A - Thermomagnetic device circuit breaker

0914523

<https://www.phoenixcontact.com/in/products/0914523>

## NS 35/15-2,3 UNPERF 2000MM-VPE 10 - DIN rail, unperforated

1201798

<https://www.phoenixcontact.com/in/products/1201798>



DIN rail, unperforated, acc. to EN 60715, material: Steel, galvanized, passivated with a thick layer, Standard profile 2.3 mm, color: silver, Pack of 10 (20 m)

---

## NS 35/15 AL UNPERF 2000MM - DIN rail, unperforated

1201756

<https://www.phoenixcontact.com/in/products/1201756>



DIN rail, unperforated, similar to EN 60715, material: Aluminum, uncoated, Standard profile, color: silver



# TMC 1 M1 100 10,0A - Thermomagnetic device circuit breaker



0914523

<https://www.phoenixcontact.com/in/products/0914523>

## NS 35/15 PERF 2000MM - DIN rail perforated

1201730

<https://www.phoenixcontact.com/in/products/1201730>



DIN rail perforated, similar to EN 60715, material: Steel, galvanized, passivated with a thick layer, Standard profile, color: silver, Pack of 25 (50 m)

---

## NS 35/ 7,5 PERF 2000MM - DIN rail perforated

0801733

<https://www.phoenixcontact.com/in/products/0801733>



DIN rail perforated, acc. to EN 60715, material: Steel, galvanized, passivated with a thick layer, Standard profile, color: silver, Pack of 25 (50 m)

# TMC 1 M1 100 10,0A - Thermomagnetic device circuit breaker



0914523

<https://www.phoenixcontact.com/in/products/0914523>

E/UK 1 - End clamp

1201413

<https://www.phoenixcontact.com/in/products/1201413>



End clamps, for supporting the ends of double-level and three-level terminal blocks, width: 10 mm, color: gray

---

Phoenix Contact 2023 © - all rights reserved

<https://www.phoenixcontact.com>

PHOENIX CONTACT (I) Pvt. Ltd.

A-58/2, Okhla Industrial Area, Phase - II, New Delhi-110 020

+91.1275.71420

[info@phoenixcontact.co.in](mailto:info@phoenixcontact.co.in)