

CARRIER-EMP (49X15) - Marker carriers



0827452

<https://www.phoenixcontact.com/in/products/0827452>

Please be informed that the data shown in this PDF document is generated from our online catalog. Please find the complete data in the user documentation. Our general terms of use for downloads are valid.

Marker carriers, black, unlabeled, mounting type: screw, rivet, lettering field size: 49 x 15 mm



Your advantages

- CARRIER-EMP ... marker carriers are used in conjunction with UC-EMP .../US-EMP ... snap-in labels
- They are used to clearly identify devices and control cabinets
- They can be mounted using screws or rivets

Commercial data

Item number	0827452
Packing unit	40 pc
Minimum order quantity	40 pc
Sales key	BG2
Product key	BG241A
Catalog page	Page 348 (C-3-2019)
GTIN	4046356440769
Weight per piece (including packing)	1.945 g
Weight per piece (excluding packing)	1.88 g
Customs tariff number	39269097
Country of origin	DE

CARRIER-EMP (49X15) - Marker carriers



0827452

<https://www.phoenixcontact.com/in/products/0827452>

Technical data

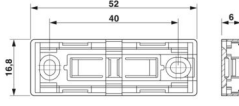
Product properties

Product type	Marker carriers
--------------	-----------------

Data management status

Article revision	00
------------------	----

Dimensions

Dimensional drawing	
Width	52 mm
Text field width	49.00 mm
Height	6 mm
Text field height	15.00 mm
Length	17 mm

Material specifications

Color	black
Material	PA
Flammability rating according to UL 94	V2
Components	free from silicone and halogen

Environmental and real-life conditions

Ambient conditions

Ambient temperature (operation)	-40 °C ... 105 °C
Recommended ambient temperature (storage/transport)	23 °C
Recommended humidity (storage/transport)	50 %

Mounting

Mounting type	screw, rivet
---------------	--------------

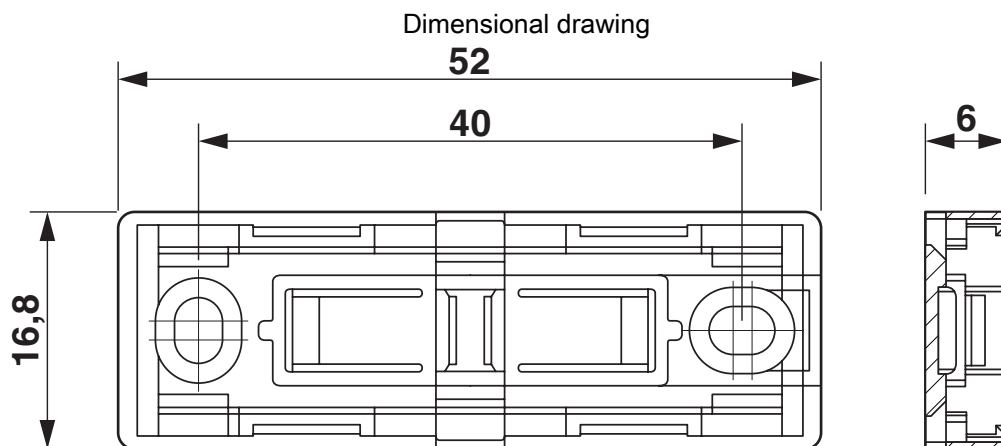
CARRIER-EMP (49X15) - Marker carriers

0827452

<https://www.phoenixcontact.com/in/products/0827452>



Drawings



CARRIER-EMP (49X15) - Marker carriers



0827452

<https://www.phoenixcontact.com/in/products/0827452>

Classifications

ECLASS

ECLASS-11.0	27281105
ECLASS-12.0	27281105
ECLASS-13.0	27281105

ETIM

ETIM 9.0	EC001530
----------	----------

UNSPSC

UNSPSC 21.0	39121400
-------------	----------

CARRIER-EMP (49X15) - Marker carriers



0827452

<https://www.phoenixcontact.com/in/products/0827452>

Environmental product compliance

EU RoHS

Fulfills EU RoHS substance requirements	Yes, No exemptions
---	--------------------

EU REACH SVHC

REACH candidate substance (CAS No.)	No substance above 0.1 wt%
-------------------------------------	----------------------------

CARRIER-EMP (49X15) - Marker carriers



0827452

<https://www.phoenixcontact.com/in/products/0827452>

Accessories

UC-EMP (49X15) - Snap-in markers

0825457

<https://www.phoenixcontact.com/in/products/0825457>

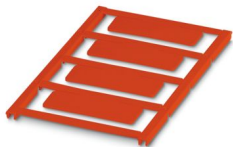


Snap-in markers, Sheet, white, unlabeled, can be labeled with: BLUEMARK ID COLOR, BLUEMARK ID, BLUEMARK CLED, PLOTMARK, CMS-P1-PLOTTER, mounting type: snapped, lettering field size: 49 x 15 mm, Number of individual labels: 4

UC-EMP (49X15) RD - Snap-in markers

0829498

<https://www.phoenixcontact.com/in/products/0829498>



Snap-in markers, Sheet, red, unlabeled, can be labeled with: BLUEMARK ID COLOR, BLUEMARK ID, BLUEMARK CLED, PLOTMARK, CMS-P1-PLOTTER, mounting type: snapped, lettering field size: 49 x 15 mm, Number of individual labels: 4

CARRIER-EMP (49X15) - Marker carriers



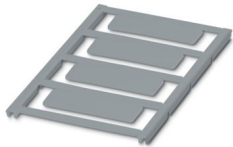
0827452

<https://www.phoenixcontact.com/in/products/0827452>

UC-EMP (49X15) SR - Snap-in markers

0825459

<https://www.phoenixcontact.com/in/products/0825459>

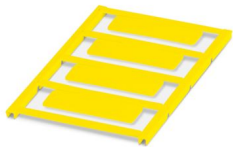


Snap-in markers, Sheet, silver, unlabeled, can be labeled with: BLUEMARK ID COLOR, BLUEMARK ID, BLUEMARK CLED, PLOTMARK, CMS-P1-PLOTTER, mounting type: snapped, lettering field size: 49 x 15 mm, Number of individual labels: 4

UC-EMP (49X15) YE - Snap-in markers

0825458

<https://www.phoenixcontact.com/in/products/0825458>



Snap-in markers, Sheet, yellow, unlabeled, can be labeled with: BLUEMARK ID COLOR, BLUEMARK ID, BLUEMARK CLED, PLOTMARK, CMS-P1-PLOTTER, mounting type: snapped, lettering field size: 49 x 15 mm, Number of individual labels: 4

CARRIER-EMP (49X15) - Marker carriers



0827452

<https://www.phoenixcontact.com/in/products/0827452>

US-EMP (49X15) - Snap-in markers

0828780

<https://www.phoenixcontact.com/in/products/0828780>



Snap-in markers, Card, white, unlabeled, can be labeled with: BLUEMARK ID COLOR, BLUEMARK ID, THERMOMARK PRIME, THERMOMARK CARD 2.0, THERMOMARK CARD, mounting type: snapped, lettering field size: 49 x 15 mm, Number of individual labels: 18

US-EMP (49X15) SR - Snap-in markers

0828855

<https://www.phoenixcontact.com/in/products/0828855>



Snap-in markers, Card, silver, unlabeled, can be labeled with: BLUEMARK ID COLOR, BLUEMARK ID, THERMOMARK PRIME, THERMOMARK CARD 2.0, THERMOMARK CARD, mounting type: snapped, lettering field size: 49 x 15 mm, Number of individual labels: 18

CARRIER-EMP (49X15) - Marker carriers



0827452

<https://www.phoenixcontact.com/in/products/0827452>

US-EMP (49X15) YE - Snap-in markers

0828854

<https://www.phoenixcontact.com/in/products/0828854>



Snap-in markers, Card, yellow, unlabeled, can be labeled with: BLUEMARK ID COLOR, BLUEMARK ID, THERMOMARK PRIME, THERMOMARK CARD 2.0, THERMOMARK CARD, mounting type: snapped, lettering field size: 49 x 15 mm, Number of individual labels: 18

EMP-AL (49X15) - Equipment marking

0830778

<https://www.phoenixcontact.com/in/products/0830778>



Equipment marking, Aluminum label, aluminum color, unlabeled, can be labeled with: BLUEMARK ID, BLUEMARK ID COLOR, BLUEMARK CLED, mounting type: snapped, lettering field size: 49 x 15 mm, Number of individual labels: 1

CARRIER-EMP (49X15) - Marker carriers



0827452

<https://www.phoenixcontact.com/in/products/0827452>

LS-EMP-AL (49X15) - Device marker

0831663

<https://www.phoenixcontact.com/in/products/0831663>

Device marker, Aluminum label, aluminum color, unlabeled, can be labeled with: TOPMARK NEO, TOPMARK LASER, mounting type: snapped, lettering field size: 49 x 15 mm, Number of individual labels: 24



LS-EMP-AL (49X15) BK - Device marker

0831671

<https://www.phoenixcontact.com/in/products/0831671>

Device marker, Aluminum label, black, unlabeled, can be labeled with: TOPMARK NEO, TOPMARK LASER, mounting type: snapped, lettering field size: 49 x 15 mm, Number of individual labels: 24



Phoenix Contact 2024 © - all rights reserved

<https://www.phoenixcontact.com>

PHOENIX CONTACT (I) Pvt. Ltd.

A-58/2, Okhla Industrial Area, Phase - II, New Delhi-110 020

+91.1275.71420

info@phoenixcontact.co.in