

# CES-LTPG-GY - Blind sleeve



0801716

<https://www.phoenixcontact.com/in/products/0801716>

Please be informed that the data shown in this PDF document is generated from our Online Catalog. Please find the complete data in the user documentation. Our General Terms of Use for Downloads are valid.

Blind sleeve, large, no. of conductors: 0, type: Blind sleeve, closed, material: SEBS (halogen-free), color: gray, length: 29.5 mm, width: 19.5 mm, height: 17 mm



## Product Description

Blind sleeves seal feed-through sections that are not required in CES sealing frames

## Commercial Data

Item number	0801716
Packing unit	10 pc
Minimum order quantity	10 pc
Sales Key	BF7
Product Key	BF7CCX
Catalog Page	Page 680 (C-2-2019)
GTIN	4046356675178
Weight per Piece (including packing)	34.03 g
Weight per Piece (excluding packing)	34.03 g
Customs tariff number	40169997
Country of origin	PL

# CES-LTPG-GY - Blind sleeve

0801716

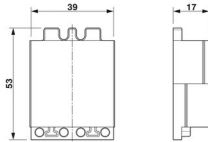
<https://www.phoenixcontact.com/in/products/0801716>

## Technical Data

### Product properties

Product type	Cable sleeve
No. of conductors	0

### Dimensions

Dimensional drawing	
Width	19.5 mm
Height	17 mm
Length	29.5 mm

### Material specifications

Color	gray
Material	SEBS
Flammability rating according to UL 94	V0

### Characteristics

Conductor sealing range	Blind sleeve
Seal size	large
Design, Format	Blind sleeve
Design, Cable seal	closed

### Environmental and real-life conditions

#### Ambient conditions

Degree of protection	IP54 (Observe the assembly instructions)
Ambient temperature (operation)	-40 °C ... 80 °C (static)

### Mounting

Assembly instructions	IP54: for vertical sealing frame mounting/for horizontal sealing frame mounting (downward cable outlet direction).
-----------------------	--

# CES-LTPG-GY - Blind sleeve

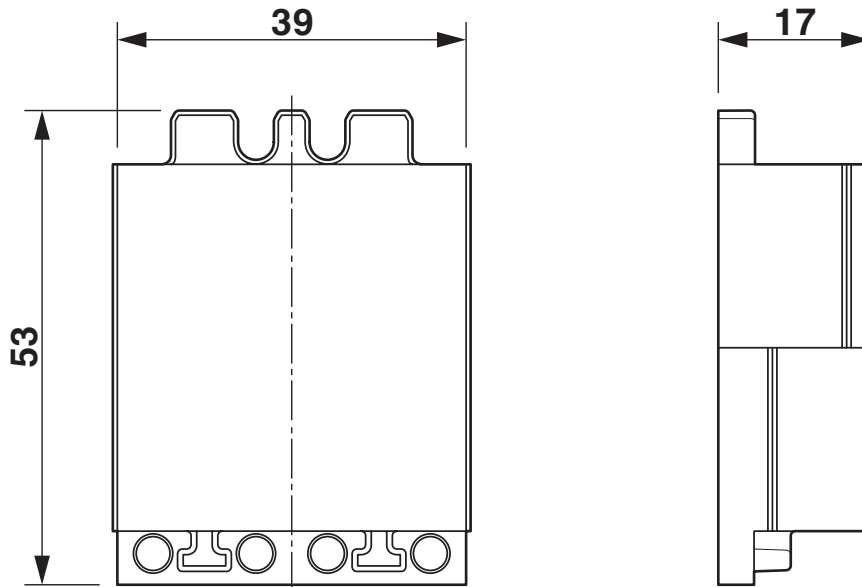


0801716

<https://www.phoenixcontact.com/in/products/0801716>

## Drawings

Dimensional drawing



Dimensional drawing

# CES-LTPG-GY - Blind sleeve



0801716

<https://www.phoenixcontact.com/in/products/0801716>

## Approvals



**cUL Recognized**

Approval ID: NITW8.E255026



**UL Recognized**

Approval ID: NITW2.E255026

# CES-LTPG-GY - Blind sleeve



0801716

<https://www.phoenixcontact.com/in/products/0801716>

## Classifications

### ECLASS

ECLASS-11.0	27144425
ECLASS-12.0	27144425
ECLASS-13.0	27144425

### ETIM

ETIM 8.0	EC000451
----------	----------

### UNSPSC

UNSPSC 21.0	39121400
-------------	----------

# CES-LTPG-GY - Blind sleeve



0801716

<https://www.phoenixcontact.com/in/products/0801716>

## Environmental Product Compliance

China RoHS	Environmentally friendly use period: unlimited = EFUP-e
	No hazardous substances above threshold values

# CES-LTPG-GY - Blind sleeve

0801716

<https://www.phoenixcontact.com/in/products/0801716>



## Accessories

### CES-B10-HFFS-PLBK - Sealing frame

0801663

<https://www.phoenixcontact.com/in/products/0801663>



Sealing frame with locking latch, size B10, with flat gasket, for 6 small sleeves

---

### CES-B16-HFFS-PLBK - Sealing frame

0801662

<https://www.phoenixcontact.com/in/products/0801662>



Sealing frame with locking latch, size B16, with flat gasket, for 8 small sleeves

## CES-LTPG-GY - Blind sleeve

0801716

<https://www.phoenixcontact.com/in/products/0801716>



## CES-B24-HFFS-PLBK - Sealing frame

0801661

<https://www.phoenixcontact.com/in/products/0801661>



Sealing frame with locking latch, size B24, with flat gasket, for 10 small sleeves

---

## CES-B10-SFFS-PLBK - Sealing frame

0801660

<https://www.phoenixcontact.com/in/products/0801660>



Sealing frame with screw locking, size B10, with flat gasket, for 6 small sleeves



## CES-LTPG-GY - Blind sleeve

0801716

<https://www.phoenixcontact.com/in/products/0801716>



## CES-B16-SFFS-PLBK - Sealing frame

0801659

<https://www.phoenixcontact.com/in/products/0801659>

Sealing frame with screw locking, size B16, with flat gasket, for 8 small sleeves



---

## CES-B24-SFFS-PLBK - Sealing frame

0801658

<https://www.phoenixcontact.com/in/products/0801658>

Sealing frame with screw locking, size B24, with flat gasket, for 10 small sleeves



---

Phoenix Contact 2023 © - all rights reserved  
<https://www.phoenixcontact.com>

PHOENIX CONTACT (I) Pvt. Ltd.  
A-58/2, Okhla Industrial Area, Phase - II, New Delhi-110 020

+91.1275.71420  
[info@phoenixcontact.co.in](mailto:info@phoenixcontact.co.in)