

# CES-LRG-BK-22 - Cable sleeve



0801637

<https://www.phoenixcontact.com/in/products/0801637>

Please be informed that the data shown in this PDF document is generated from our online catalog. Please find the complete data in the user documentation. Our general terms of use for downloads are valid.

Cable sleeve, large, no. of conductors: 1, type: Round cable, slotted, external cable diameter: 1x 21 mm ... 22 mm, material: NBR, color: black, length: 53 mm, width: 39 mm, height: 17 mm



## Product description

Slotted cable sleeve Slotted sleeves for accommodating preassembled cables and lines with a diameter of 21 mm ... 22 mm, can be used in CES sealing frames.

## Commercial data

Item number	0801637
Packing unit	10 pc
Minimum order quantity	10 pc
Sales key	BF7
Product key	BF7CCX
Catalog page	Page 678 (C-2-2019)
GTIN	4046356674324
Weight per piece (including packing)	30.35 g
Weight per piece (excluding packing)	30.35 g
Customs tariff number	40169997
Country of origin	TW

# CES-LRG-BK-22 - Cable sleeve

0801637

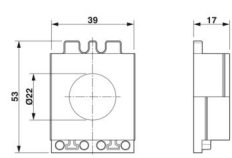
<https://www.phoenixcontact.com/in/products/0801637>

## Technical data

### Product properties

Product type	Cable sleeve
No. of conductors	1

### Dimensions

Dimensional drawing	
Width	39 mm
Height	17 mm
Length	53 mm

### Material specifications

Material	NBR
----------	-----

### Cable/line

External cable diameter	1x 21 mm ... 22 mm
-------------------------	--------------------

### Characteristics

Seal size	large
Design, Format	Round cable
Design, Cable seal	slotted

### Environmental and real-life conditions

#### Ambient conditions

Degree of protection	IP54
Ambient temperature (operation)	-40 °C ... 125 °C (static)

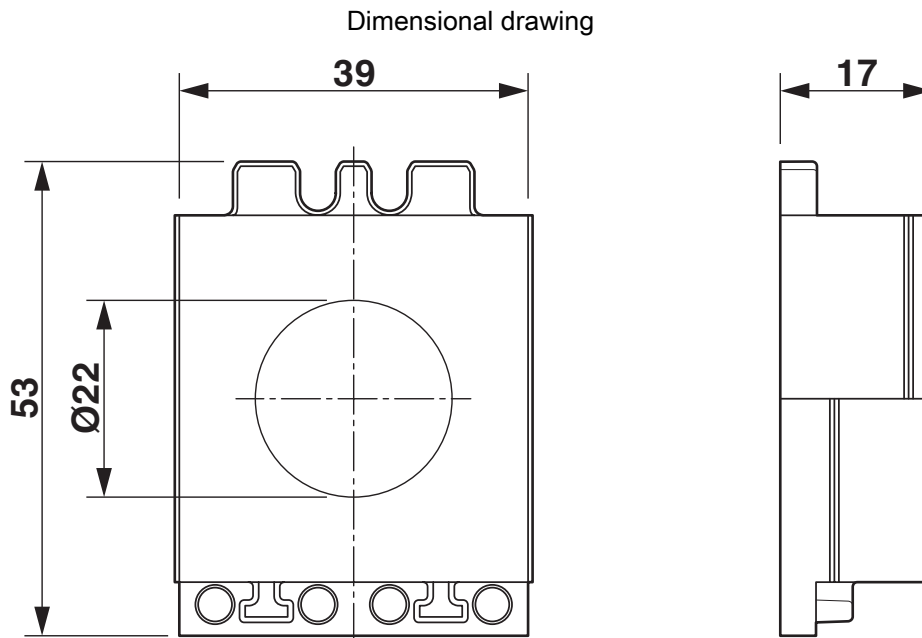
# CES-LRG-BK-22 - Cable sleeve

0801637

<https://www.phoenixcontact.com/in/products/0801637>



## Drawings



Dimensional drawing

# CES-LRG-BK-22 - Cable sleeve



0801637

<https://www.phoenixcontact.com/in/products/0801637>

## Approvals

🔗 To download certificates, visit the product detail page: <https://www.phoenixcontact.com/in/products/0801637>

**DNV**

Approval ID: TAE00003VJ

# CES-LRG-BK-22 - Cable sleeve



0801637

<https://www.phoenixcontact.com/in/products/0801637>

## Classifications

### ECLASS

ECLASS-11.0	27144425
ECLASS-12.0	27144425
ECLASS-13.0	27144425

### ETIM

ETIM 9.0	EC000451
----------	----------

### UNSPSC

UNSPSC 21.0	39121400
-------------	----------

# CES-LRG-BK-22 - Cable sleeve



0801637

<https://www.phoenixcontact.com/in/products/0801637>

## Environmental product compliance

### EU RoHS

Fulfills EU RoHS substance requirements	Yes, No exemptions
---	--------------------

### China RoHS

Environment friendly use period (EFUP)	EFUP-E
	No hazardous substances above the limits

### EU REACH SVHC

REACH candidate substance (CAS No.)	No substance above 0.1 wt%
-------------------------------------	----------------------------

# CES-LRG-BK-22 - Cable sleeve

0801637

<https://www.phoenixcontact.com/in/products/0801637>



## Accessories

### CES-B10-HFFS-PLBK - Sealing frame

0801663

<https://www.phoenixcontact.com/in/products/0801663>



Sealing frame, With locking latch, design: B10, Number of cable seals (small): 6, material: PA (halogen-free), color: black, length: 99.2 mm, width: 58 mm, height: 20 mm

---

### CES-B16-HFFS-PLBK - Sealing frame

0801662

<https://www.phoenixcontact.com/in/products/0801662>



Sealing frame, With locking latch, design: B16, Number of cable seals (small): 8, material: PA (halogen-free), color: black, length: 120 mm, width: 58 mm, height: 20 mm

## CES-LRG-BK-22 - Cable sleeve

0801637

<https://www.phoenixcontact.com/in/products/0801637>

## CES-B24-HFFS-PLBK - Sealing frame

0801661

<https://www.phoenixcontact.com/in/products/0801661>



Sealing frame, With locking latch, design: B24, Number of cable seals (small): 10, material: PA (halogen-free), color: black, length: 147 mm, width: 58 mm, height: 20 mm

---

## CES-B10-SFFS-PLBK - Sealing frame

0801660

<https://www.phoenixcontact.com/in/products/0801660>



Sealing frame, with screw locking, design: B10, Number of cable seals (small): 6, material: PA (halogen-free), color: black, length: 99.2 mm, width: 58 mm, height: 20 mm



## CES-LRG-BK-22 - Cable sleeve

0801637

<https://www.phoenixcontact.com/in/products/0801637>



## CES-B16-SFFS-PLBK - Sealing frame

0801659

<https://www.phoenixcontact.com/in/products/0801659>



Sealing frame, with screw locking, design: B16, Number of cable seals (small): 8, material: PA (halogen-free), color: black, length: 120 mm, width: 58 mm, height: 20 mm

## CES-B24-SFFS-PLBK - Sealing frame

0801658

<https://www.phoenixcontact.com/in/products/0801658>



Sealing frame, with screw locking, design: B24, Number of cable seals (small): 10, material: PA (halogen-free), color: black, length: 147 mm, width: 58 mm, height: 20 mm

Phoenix Contact 2024 © - all rights reserved  
<https://www.phoenixcontact.com>

PHOENIX CONTACT (I) Pvt. Ltd.  
A-58/2, Okhla Industrial Area, Phase - II, New Delhi-110 020

+91.1275.71420  
[info@phoenixcontact.co.in](mailto:info@phoenixcontact.co.in)