

HDFK 95-F-VP/Z - Panel feed-through terminal block



0717076

<https://www.phoenixcontact.com/in/products/0717076>

Please be informed that the data shown in this PDF document is generated from our Online Catalog. Please find the complete data in the user documentation. Our General Terms of Use for Downloads are valid.



Panel feed-through terminal block, connection method: Screw connection with tension sleeve, Cable lug connection, number of positions: 1, load current: 232 A, cross section: 35 mm² - 95 mm², connection direction of the conductor to plug-in direction: 0 °, width: 25 mm

Your advantages

- Well-known connection principle allows worldwide use
- Low temperature rise, thanks to maximum contact force
- Tool-free snap-in principle enables easy mounting on the device panel
- Automatic panel thickness compensation enables universal use
- Reliable seal even with low-viscosity molding compounds

Commercial Data

Item number	0717076
Packing unit	10 pc
Minimum order quantity	10 pc
Sales Key	AA1
Product Key	AA1GAB
Catalog Page	Page 619 (C-1-2013)
GTIN	4017918811068
Weight per Piece (including packing)	178.03 g
Weight per Piece (excluding packing)	178.03 g
Customs tariff number	85369010
Country of origin	GR

HDFK 95-F-VP/Z - Panel feed-through terminal block



0717076

<https://www.phoenixcontact.com/in/products/0717076>

Technical Data

Product properties

Product type	Panel feed-through terminal block
Product family	HDFK 95-VP
Number of positions	1
Pitch	25 mm
Number of connections	2
Number of rows	1
Number of potentials	1

Insulation characteristics

Overvoltage category	III
Degree of pollution	3

Electrical properties

Nominal current I_N	232 A
Nominal voltage U_N	630 V (metal panels 2.5 mm ... 5 mm)
Degree of pollution	3
Rated voltage (III/3)	630 V
Rated surge voltage (III/3)	6 kV

Connection data

Connection technology

Connector system	HDFK 95
Nominal cross section	95 mm ²

Conductor connection exterior

Connection method	Screw connection with tension sleeve
Connection direction of the conductor to plug-in direction	0 °
Conductor cross section rigid	35 mm ² ... 95 mm ²
Conductor cross section flexible	35 mm ² ... 95 mm ²
Conductor cross section flexible, with ferrule without plastic sleeve	30 mm ² ... 95 mm ²
Conductor cross section, flexible, with ferrule, with plastic sleeve	30 mm ² ... 95 mm ²
2 conductors with same cross section, solid	25 mm ² ... 35 mm ²
2 conductors with same cross section, flexible	25 mm ² ... 35 mm ²
2 conductors with same cross section, flexible, with ferrule without plastic sleeve	16 mm ² ... 35 mm ²
Internal cylindrical gage	B12
Stripping length	27 mm
Tightening torque	15 Nm ... 20 Nm

Conductor connection interior

Connection method	Cable lug connection
-------------------	----------------------

HDFK 95-F-VP/Z - Panel feed-through terminal block



0717076

<https://www.phoenixcontact.com/in/products/0717076>

Connection direction of the conductor to plug-in direction	0 °
--	-----

Mounting

Plate thickness	1 mm ... 6 mm
-----------------	---------------

Material specifications

Material data - contact

Note	WEEE/RoHS-compliant, free of whiskers according to IEC 60068-2-82/JEDEC JESD 201
Contact material	Cu alloy
Surface characteristics	tin-plated

Material data - housing

Color (Housing)	gray (7042)
Insulating material	PA
Insulating material group	I
CTI according to IEC 60112	600
Flammability rating according to UL 94	V0
Glow wire flammability index GWFI according to EN 60695-2-12	850
Glow wire ignition temperature GWIT according to EN 60695-2-13	775
Temperature for the ball pressure test according to EN 60695-10-2	125 °C

Notes

Safety note

Safety note	<ul style="list-style-type: none">• Only electrically qualified personnel may install and operate the product. To recognize and prevent danger, the qualified personnel must be familiar with the basics of electrical engineering.• Observe the technical data provided here and refer to the documents listed under "Downloads". The download area contains important information, such as installation notes, technical drawings, and 3D data.• The cable entry funnel is not safe to touch. Never connect or disconnect the terminal when it is energized. Take appropriate steps to ensure touch protection.• To maintain the nominal voltage, align the cable lugs straight and centered, and cast the terminals on the inside. <p><input type="checkbox"/> There is no electrical contact to the housing. Make sure that protective grounding is provided for green/yellow color variants and articles marked with PE.</p>
-------------	--

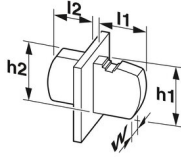
Dimensions

HDFK 95-F-VP/Z - Panel feed-through terminal block



0717076

<https://www.phoenixcontact.com/in/products/0717076>

Dimensional drawing	
Pitch	25 mm
Width [w]	25 mm
Height [h]	74 mm
Length [l]	91.5 mm

Electrical tests

Air clearances and creepage distances | 1. Insulation coordination

Application	Metal wall 2.5 mm ... 5.0 mm
Specification	IEC 60947-7-1:1989-10 + AMD 1:1999-06
Insulating material group	I
Comparative tracking index (IEC 60112)	CTI 600
Rated insulation voltage (III/3)	630 V
Rated surge voltage (III/3)	6 kV
minimum clearance value - non-homogenous field (III/3)	5.5 mm
minimum creepage distance (III/3)	8 mm

Air clearances and creepage distances | 2. Insulation coordination

Application	Metal panel > 5.0 mm ... 6.0 mm
Specification	IEC 60947-7-1:1989-10 + AMD 1:1999-06
Insulating material group	I
Comparative tracking index (IEC 60112)	CTI 600
Rated insulation voltage (III/3)	500 V
Rated surge voltage (III/3)	6 kV
minimum clearance value - non-homogenous field (III/3)	5.5 mm
minimum creepage distance (III/3)	6.3 mm

Air clearances and creepage distances | 3. Insulation coordination

Application	Plastic panel 2.5 ... 6.0 mm
Specification	IEC 60947-7-1:1989-10 + AMD 1:1999-06
Insulating material group	I
Comparative tracking index (IEC 60112)	CTI 600
Rated insulation voltage (III/3)	630 V
Rated surge voltage (III/3)	6 kV
minimum clearance value - non-homogenous field (III/3)	5.5 mm
minimum creepage distance (III/3)	8 mm

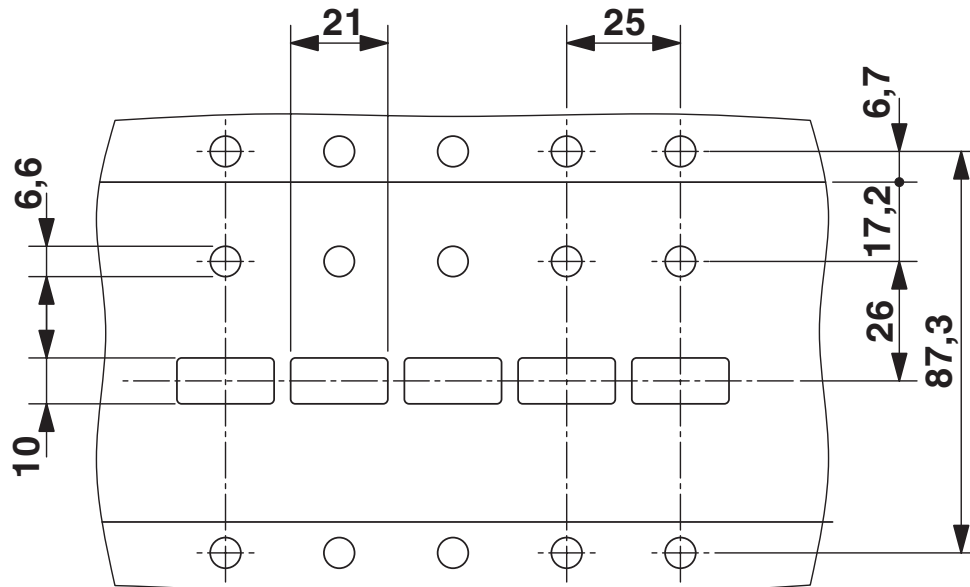
HDFK 95-F-VP/Z - Panel feed-through terminal block

0717076

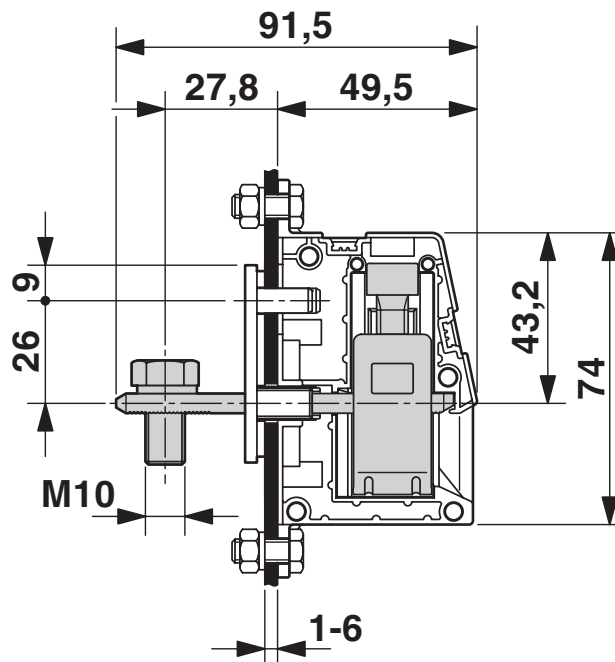
<https://www.phoenixcontact.com/in/products/0717076>

Drawings

Dimensional drawing



Dimensional drawing




HDFK 95-F-VP/Z - Panel feed-through terminal block





0717076

<https://www.phoenixcontact.com/in/products/0717076>

Approvals

 CSA Approval ID: 13631				
	Nominal Voltage U_N	Nominal Current I_N	Cross Section AWG	Cross Section mm^2
Use group B				
	600 V	230 A	2 - 4/0	-
Use group C				
	600 V	230 A	2 - 4/0	-

 UL Recognized Approval ID: E60425-19890329				
	Nominal Voltage U_N	Nominal Current I_N	Cross Section AWG	Cross Section mm^2
Use group B				
	600 V	230 A	4 - 4/0	-
Use group C				
	600 V	230 A	4 - 4/0	-

 EAC Approval ID: B.01687				
--	--	--	--	--

HDFK 95-F-VP/Z - Panel feed-through terminal block



0717076

<https://www.phoenixcontact.com/in/products/0717076>

Classifications

ECLASS

ECLASS-11.0	27141134
ECLASS-13.0	27141134
ECLASS-12.0	27141134

ETIM

ETIM 8.0	EC001283
----------	----------

UNSPSC

UNSPSC 21.0	39121400
-------------	----------

HDFK 95-F-VP/Z - Panel feed-through terminal block



0717076

<https://www.phoenixcontact.com/in/products/0717076>

Environmental Product Compliance

China RoHS	Environmentally friendly use period: unlimited = EFUP-e
	No hazardous substances above threshold values

HDFK 95-F-VP/Z - Panel feed-through terminal block



0717076

<https://www.phoenixcontact.com/in/products/0717076>

Accessories

UKH 95 EP - Insertion profile

3009231

<https://www.phoenixcontact.com/in/products/3009231>

Insertion profile, color: silver



SF-THEX 6-200 - Screwdriver

1212642

<https://www.phoenixcontact.com/in/products/1212642>

T-handle screwdriver, for Allen screws, hexagonal (with chamfer), size: hex 6 x 200 mm, ergonomically shaped handle, matt chrome-plated



HDFK 95-F-VP/Z - Panel feed-through terminal block



0717076

<https://www.phoenixcontact.com/in/products/0717076>

DP-HDFK 95/15 - Spacer plate

0717102

<https://www.phoenixcontact.com/in/products/0717102>



Spacer plate

UC-TM 12 - Marker for terminal blocks

0819194

<https://www.phoenixcontact.com/in/products/0819194>



Marker for terminal blocks, Sheet, white, unlabeled, can be labeled with: BLUEMARK ID COLOR, BLUEMARK ID, BLUEMARK CLED, PLOTMARK, CMS-P1-PLOTTER, mounting type: snapped, for terminal block width: 12 mm, lettering field size: 11.45 x 10.5 mm, Number of individual labels: 40

HDFK 95-F-VP/Z - Panel feed-through terminal block



0717076

<https://www.phoenixcontact.com/in/products/0717076>

UC-TM 12 CUS - Marker for terminal blocks

0824613

<https://www.phoenixcontact.com/in/products/0824613>



Marker for terminal blocks, can be ordered: by sheet, white, labeled according to customer specifications, mounting type: snap into tall marker groove, for terminal block width: 12 mm, lettering field size: 11.45 x 10.5 mm, Number of individual labels: 40

ZB 12:UNPRINTED - Zack marker strip

0812120

<https://www.phoenixcontact.com/in/products/0812120>



Zack marker strip, Strip, white, unlabeled, can be labeled with: PLOTMARK, CMS-P1-PLOTTER, mounting type: snapped, for terminal block width: 12.2 mm, lettering field size: 12 x 10.5 mm, Number of individual labels: 5

HDFK 95-F-VP/Z - Panel feed-through terminal block



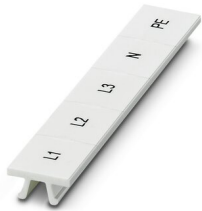
0717076

<https://www.phoenixcontact.com/in/products/0717076>

ZB 12,LGS:L1-N,PE - Zack marker strip

0812146

<https://www.phoenixcontact.com/in/products/0812146>



Zack marker strip, Strip, white, labeled, printed horizontally: L1, L2, L3, N, PE, mounting type: snapped, for terminal block width: 12.2 mm, lettering field size: 10.5 x 12.15 mm, Number of individual labels: 5

ZB 12 CUS - Zack marker strip

0824942

<https://www.phoenixcontact.com/in/products/0824942>



Zack marker strip, can be ordered: Strip, white, labeled according to customer specifications, mounting type: snap into tall marker groove, for terminal block width: 12.2 mm, lettering field size: 10.5 x 12.15 mm, Number of individual labels: 5

Phoenix Contact 2023 © - all rights reserved

<https://www.phoenixcontact.com>

PHOENIX CONTACT (I) Pvt. Ltd.

A-58/2, Okhla Industrial Area, Phase - II, New Delhi-110 020

+91.1275.71420

info@phoenixcontact.co.in