

HDFK 25 - Panel feed-through terminal block



0707743

<https://www.phoenixcontact.com/in/products/0707743>

Please be informed that the data shown in this PDF document is generated from our online catalog. Please find the complete data in the user documentation. Our general terms of use for downloads are valid.



Panel feed-through terminal block, connection method: Screw connection with tension sleeve, Screw connection with tension sleeve, number of positions: 1, load current: 101 A, cross section: 6 mm² - 35 mm², connection direction of the conductor to plug-in direction: 0 °, width: 15.1 mm, color: gray

Your advantages

- Well-known connection principle allows worldwide use
- Low temperature rise, thanks to maximum contact force
- Tool-free snap-in principle enables easy mounting on the device panel
- Automatic panel thickness compensation enables universal use

Commercial data

| | |
|--------------------------------------|--------------------|
| Item number | 0707743 |
| Packing unit | 50 pc |
| Minimum order quantity | 50 pc |
| Sales key | AA1 |
| Product key | AA1EAA |
| Catalog page | Page 630 (CC-2009) |
| GTIN | 4017918004194 |
| Weight per piece (including packing) | 67.972 g |
| Weight per piece (excluding packing) | 64.7 g |
| Customs tariff number | 85369010 |
| Country of origin | IN |

HDFK 25 - Panel feed-through terminal block



0707743

<https://www.phoenixcontact.com/in/products/0707743>

Technical data

Product properties

| | |
|-----------------------|-----------------------------------|
| Product type | Panel feed-through terminal block |
| Product family | HDFK 25 |
| Number of positions | 1 |
| Pitch | 15.1 mm |
| Number of connections | 2 |
| Number of rows | 1 |
| Number of potentials | 1 |

Data management status

| | |
|------------------|----|
| Article revision | 03 |
|------------------|----|

Insulation characteristics

| | |
|----------------------|-----|
| Overvoltage category | III |
| Degree of pollution | 3 |

Electrical properties

| | |
|-----------------------------|-------|
| Nominal current I_N | 101 A |
| Nominal voltage U_N | 500 V |
| Rated voltage (III/3) | 500 V |
| Rated surge voltage (III/3) | 6 kV |

Connection data

Connection technology

| | |
|-----------------------|--------------------|
| Connector system | HDFK 25 |
| Nominal cross section | 25 mm ² |

Conductor connection exterior

| | |
|---|--|
| Connection method | Screw connection with tension sleeve |
| Connection direction of the conductor to plug-in direction | 0 ° |
| Conductor cross section rigid | 6 mm ² ... 35 mm ² |
| Conductor cross section flexible | 10 mm ² ... 25 mm ² |
| Conductor cross section flexible, with ferrule without plastic sleeve | 4 mm ² ... 25 mm ² |
| Conductor cross section, flexible, with ferrule, with plastic sleeve | 4 mm ² ... 25 mm ² |
| 2 conductors with same cross section, solid | 2.5 mm ² ... 10 mm ² |
| 2 conductors with same cross section, flexible | 4 mm ² ... 10 mm ² |
| 2 conductors with same cross section, flexible, with ferrule without plastic sleeve | 2.5 mm ² ... 10 mm ² |
| 2 conductors with the same cross section, flexible, with TWIN ferrule with plastic sleeve | 2.5 mm ² ... 10 mm ² |
| Internal cylindrical gage | B8 |
| Stripping length | 19 mm |

HDFK 25 - Panel feed-through terminal block



0707743

<https://www.phoenixcontact.com/in/products/0707743>

| | |
|---|--|
| Tightening torque | 4 Nm ... 4.5 Nm |
| Conductor connection interior | |
| Connection method | Screw connection with tension sleeve |
| Connection direction of the conductor to plug-in direction | 0 ° |
| Conductor cross section rigid | 6 mm ² ... 35 mm ² |
| Conductor cross section flexible | 10 mm ² ... 25 mm ² |
| Conductor cross section flexible, with ferrule without plastic sleeve | 4 mm ² ... 25 mm ² |
| Conductor cross section, flexible, with ferrule, with plastic sleeve | 4 mm ² ... 25 mm ² |
| 2 conductors with same cross section, solid | 2.5 mm ² ... 10 mm ² |
| 2 conductors with same cross section, flexible | 4 mm ² ... 10 mm ² |
| 2 conductors with same cross section, flexible, with ferrule without plastic sleeve | 2.5 mm ² ... 10 mm ² |
| 2 conductors with the same cross section, flexible, with TWIN ferrule with plastic sleeve | 2.5 mm ² ... 10 mm ² |
| Internal cylindrical gage | B8 |
| Stripping length | 19 mm |
| Tightening torque | 4 Nm ... 4.5 Nm |

Material specifications

Material data - contact

| | |
|-------------------------|--|
| Note | WEEE/RoHS-compliant, free of whiskers according to IEC 60068-2-82/JEDEC JESD 201 |
| Contact material | Cu alloy |
| Surface characteristics | tin-plated |

Material data - housing

| | |
|---|-------------|
| Color (Housing) | gray (7042) |
| Insulating material | PA |
| Insulating material group | I |
| CTI according to IEC 60112 | 600 |
| Flammability rating according to UL 94 | V0 |
| Glow wire flammability index GWFI according to EN 60695-2-12 | 850 |
| Glow wire ignition temperature GWIT according to EN 60695-2-13 | 775 |
| Temperature for the ball pressure test according to EN 60695-10-2 | 125 °C |

Notes

Safety note

| | |
|-------------|---|
| Safety note | <ul style="list-style-type: none">• Only electrically qualified personnel may install and operate the product. To recognize and prevent danger, the qualified personnel must be familiar with the basics of electrical engineering.• Observe the technical data provided here and refer to the documents listed under "Downloads". The download area |
|-------------|---|

HDFK 25 - Panel feed-through terminal block

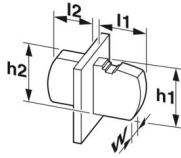


0707743

<https://www.phoenixcontact.com/in/products/0707743>

| | |
|--|---|
| | contains important information, such as installation notes, technical drawings, and 3D data. |
| | <ul style="list-style-type: none"> • The cable entry funnel is not safe to touch. Never connect or disconnect the terminal when it is energized. Take appropriate steps to ensure touch protection. • There is no electrical contact to the housing. Make sure that protective grounding is provided for green/yellow color variants and articles marked with PE. |

Dimensions

| | |
|---------------------|--|
| Dimensional drawing |  |
| Pitch | 15.1 mm |
| Width [w] | 15.1 mm |
| Height [h] | 48.5 mm |

External dimensions

| | |
|-------------|---------|
| Width [w] | 15.1 mm |
| Height [h1] | 48.5 mm |
| Length [l1] | 38.5 mm |

Internal dimensions

| | |
|-------------|---------|
| Width [w] | 15.1 mm |
| Height [h2] | 45 mm |
| Length [l2] | 30 mm |

Mechanical tests

Test for conductor damage and slackening

| | |
|---------------|-----------------------|
| Specification | IEC 60947-7-1:2009-04 |
| Result | Test passed |

Pull-out test

| | |
|---|---|
| Specification | IEC 60947-7-1:2009-04 |
| Conductor cross section/conductor type/tractive force setpoint/actual value | 6 mm ² / solid / > 80 N |
| | 10 mm ² / flexible / > 90 N |
| | 35 mm ² / stranded / > 190 N |
| | 25 mm ² / flexible / > 135 N |

Electrical tests

Temperature-rise test

| | |
|-----------------------------------|--------------------------------|
| Specification | IEC 60947-7-1:2009-04 |
| Requirement temperature-rise test | Increase in temperature ≤ 45 K |

HDFK 25 - Panel feed-through terminal block



0707743

<https://www.phoenixcontact.com/in/products/0707743>

Short-time withstand current

| | |
|---------------|-----------------------|
| Specification | IEC 60947-7-1:2009-04 |
|---------------|-----------------------|

Air clearances and creepage distances | 1. Insulation coordination

| | |
|--|------------------------------|
| Application | Metal wall 1.0 mm ... 6.0 mm |
| Specification | IEC 60947-7-1:2002-07 |
| Insulating material group | I |
| Comparative tracking index (IEC 60112) | CTI 600 |
| Rated insulation voltage (III/3) | 500 V |
| Rated surge voltage (III/3) | 6 kV |
| minimum clearance value - non-homogenous field (III/3) | 5.5 mm |
| minimum creepage distance (III/3) | 6.3 mm |

Air clearances and creepage distances | 2. Insulation coordination

| | |
|--|------------------------------|
| Application | Plastic panel 1.0 ... 6.0 mm |
| Specification | IEC 60947-7-1:2002-07 |
| Insulating material group | I |
| Comparative tracking index (IEC 60112) | CTI 600 |
| Rated insulation voltage (III/3) | 500 V |
| Rated surge voltage (III/3) | 6 kV |
| minimum clearance value - non-homogenous field (III/3) | 5.5 mm |
| minimum creepage distance (III/3) | 6.3 mm |

Environmental and real-life conditions

Vibration test

| | |
|------------------------|-----------------------------|
| Specification | IEC 60068-2-6:2007-12 |
| Frequency | 10 - 150 - 10 Hz |
| Sweep speed | 1 octave/min |
| Amplitude | 0.35 mm (10 Hz ... 60.1 Hz) |
| Acceleration | 5g (60.1 Hz ... 150 Hz) |
| Test duration per axis | 2.5 h |
| Test directions | X-, Y- and Z-axis |

Glow-wire test

| | |
|------------------|------------------------|
| Specification | IEC 60695-2-11:2014-02 |
| Temperature | 960 °C |
| Time of exposure | 30 s |

Ambient conditions

| | |
|---|---|
| Ambient temperature (operation) | -40 °C ... 100 °C (Depending on the current carrying capacity/derating curve) |
| Ambient temperature (storage/transport) | -40 °C ... 70 °C |
| Relative humidity (storage/transport) | 30 % ... 70 % |
| Ambient temperature (assembly) | -5 °C ... 100 °C |

HDFK 25 - Panel feed-through terminal block



0707743

<https://www.phoenixcontact.com/in/products/0707743>

Packaging specifications

| Type of packaging |
|---------------------|
| packed in cardboard |

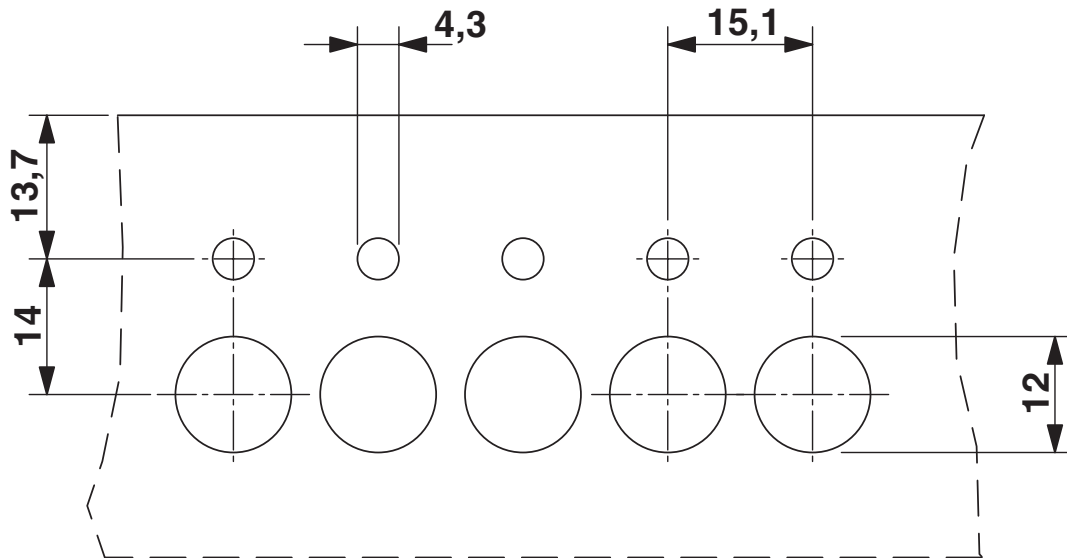
HDFK 25 - Panel feed-through terminal block

0707743

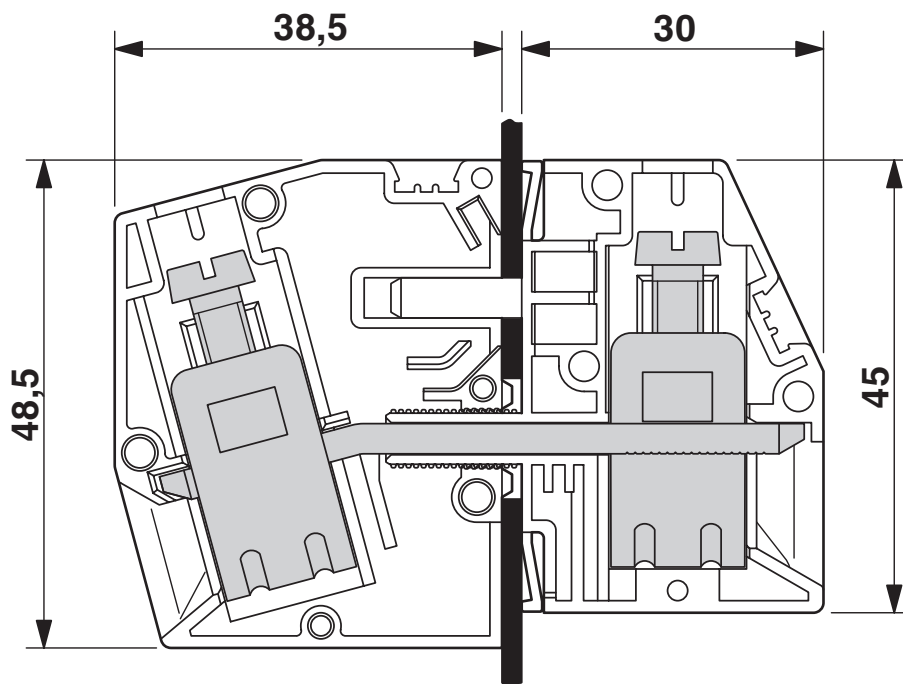
<https://www.phoenixcontact.com/in/products/0707743>

Drawings

Dimensional drawing



Dimensional drawing



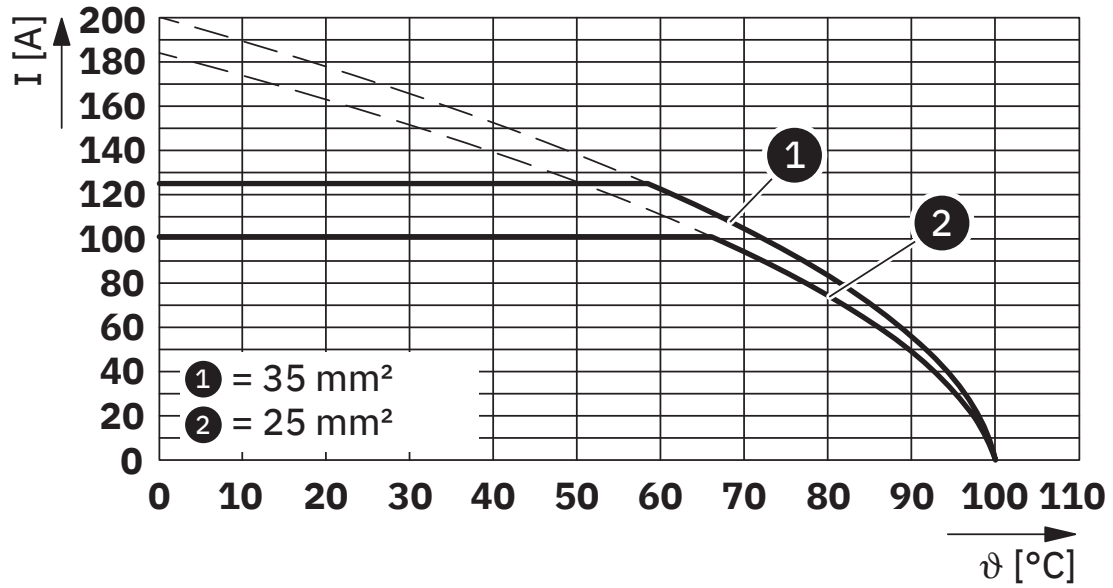
HDFK 25 - Panel feed-through terminal block



0707743

<https://www.phoenixcontact.com/in/products/0707743>

Diagram



Type: HDFK 25

HDFK 25 - Panel feed-through terminal block





0707743

<https://www.phoenixcontact.com/in/products/0707743>

Approvals

To download certificates, visit the product detail page: <https://www.phoenixcontact.com/in/products/0707743>

|  CSA Approval ID: 13631 | | | | |
|--|-----------------------|-----------------------|-------------------|-----------------------------|
| | Nominal voltage U_N | Nominal current I_N | Cross section AWG | Cross section mm^2 |
| Use group B | | | | |
| | 600 V | 100 A | 8 - 2 | - |
| Use group C | | | | |
| | 600 V | 100 A | 8 - 2 | - |

|  UL Recognized Approval ID: E60425-19890329 | | | | |
|--|-----------------------|-----------------------|-------------------|-----------------------------|
| | Nominal voltage U_N | Nominal current I_N | Cross section AWG | Cross section mm^2 |
| Use group B | | | | |
| | 600 V | 115 A | 8 - 2 | - |
| Use group C | | | | |
| | 600 V | 115 A | 8 - 2 | - |

|  KEMA-KEUR Approval ID: 2169260.02 | | | | |
|---|--|--|--|--|
|---|--|--|--|--|

HDFK 25 - Panel feed-through terminal block



0707743

<https://www.phoenixcontact.com/in/products/0707743>

Classifications

ECLASS

| | |
|-------------|----------|
| ECLASS-11.0 | 27141134 |
| ECLASS-13.0 | 27141134 |
| ECLASS-12.0 | 27141134 |

ETIM

| | |
|----------|----------|
| ETIM 9.0 | EC001283 |
|----------|----------|

UNSPSC

| | |
|-------------|----------|
| UNSPSC 21.0 | 39121400 |
|-------------|----------|

HDFK 25 - Panel feed-through terminal block



0707743

<https://www.phoenixcontact.com/in/products/0707743>

Environmental product compliance

EU RoHS

| | |
|---|--------------------|
| Fulfills EU RoHS substance requirements | Yes, No exemptions |
|---|--------------------|

China RoHS

| | |
|--|--|
| Environment friendly use period (EFUP) | EFUP-E |
| | No hazardous substances above the limits |

EU REACH SVHC

| | |
|-------------------------------------|----------------------------|
| REACH candidate substance (CAS No.) | No substance above 0.1 wt% |
|-------------------------------------|----------------------------|

HDFK 25 - Panel feed-through terminal block



0707743

<https://www.phoenixcontact.com/in/products/0707743>

Accessories

SZS 1,0X6,5 VDE - Screwdriver

1205079

<https://www.phoenixcontact.com/in/products/1205079>



Screwdriver, slot-headed, VDE insulated, size: 1.0 x 6.5 x 150 mm, 2-component grip, with non-slip grip

Phoenix Contact 2024 © - all rights reserved
<https://www.phoenixcontact.com>

PHOENIX CONTACT (I) Pvt. Ltd.
A-58/2, Okhla Industrial Area, Phase - II, New Delhi-110 020

+91.1275.71420
info@phoenixcontact.co.in