

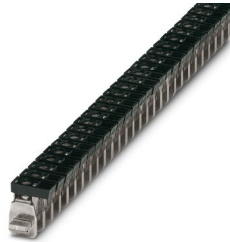
# AKG 16 BK - Connection terminal block



0423030

<https://www.phoenixcontact.com/in/products/0423030>

Please be informed that the data shown in this PDF document is generated from our Online Catalog. Please find the complete data in the user documentation. Our General Terms of Use for Downloads are valid.



Connection terminal block, nom. voltage: 300 V, nominal current: 76 A, connection method: Screw connection, Rated cross section: 16 mm<sup>2</sup>, cross section: 1.5 mm<sup>2</sup> - 16 mm<sup>2</sup>, mounting: Neutral busbar, color: black

## Commercial Data

Item number	0423030
Packing unit	50 pc
Minimum order quantity	50 pc
Sales Key	BE7
Product Key	BE7331
Catalog Page	Page 555 (C-3-2019)
GTIN	4017918002015
Weight per Piece (including packing)	10.663 g
Weight per Piece (excluding packing)	10.495 g
Customs tariff number	85369010
Country of origin	IN

# AKG 16 BK - Connection terminal block



0423030

<https://www.phoenixcontact.com/in/products/0423030>

## Technical Data

### Product properties

Product type	Installation terminal block
Number of connections	1
Number of rows	1

### Electrical properties

Maximum load current	76 A (with 16 mm <sup>2</sup> conductor cross section)
Maximum power dissipation for nominal condition	2.43 W
Nominal current I <sub>N</sub>	76 A
Current carrying capacity of the neutral busbar	140 A

### Connection data

Nominal cross section	16 mm <sup>2</sup>
Maximum load current	76 A (with 16 mm <sup>2</sup> conductor cross section)

#### Level 1 above 1 below 1

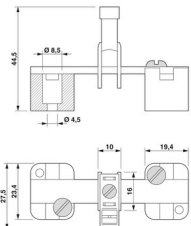
Screw thread	M5
Tightening torque	2.5 ... 3 Nm
Stripping length	16 mm
Conductor cross section rigid	1.5 mm <sup>2</sup> ... 16 mm <sup>2</sup>
Cross section AWG	16 ... 6 (converted acc. to IEC)
Conductor cross section flexible	1.5 mm <sup>2</sup> ... 16 mm <sup>2</sup>
Conductor cross section, flexible [AWG]	16 ... 6 (converted acc. to IEC)
Conductor cross-section flexible (ferrule without plastic sleeve)	1.5 mm <sup>2</sup> ... 16 mm <sup>2</sup>
Flexible conductor cross section (ferrule with plastic sleeve)	1.5 mm <sup>2</sup> ... 16 mm <sup>2</sup>
2 conductors with same cross section, solid	1.5 mm <sup>2</sup> ... 6 mm <sup>2</sup>
2 conductors with same cross section, flexible	1.5 mm <sup>2</sup> ... 6 mm <sup>2</sup>
2 conductors with same cross section, flexible, with ferrule without plastic sleeve	1.5 mm <sup>2</sup> ... 6 mm <sup>2</sup>
2 conductors with the same cross section, flexible, with TWIN ferrule with plastic sleeve	1.5 mm <sup>2</sup> ... 10 mm <sup>2</sup>
Nominal current	76 A
Maximum load current	76 A (with 16 mm <sup>2</sup> conductor cross section)
Nominal voltage	300 V
Nominal cross section	16 mm <sup>2</sup>

### Dimensions

# AKG 16 BK - Connection terminal block

0423030

<https://www.phoenixcontact.com/in/products/0423030>

Dimensional drawing	
Width	9.8 mm
Height	32 mm
Length	23.4 mm

## Material specifications

Color	black
Flammability rating according to UL 94	V2
Insulating material	PA
Static insulating material application in cold	-40 °C
Temperature index of insulation material (DIN EN 60216-1 (VDE 0304-21))	125 °C
Relative insulation material temperature index (Elec., UL 746 B)	125 °C

## Environmental and real-life conditions

### Ambient conditions

Ambient temperature (operation)	-60 °C ... 105 °C (max. short-term operating temperature RTI Elec.)
Ambient temperature (storage/transport)	-25 °C ... 60 °C (for a short time, not exceeding 24 h, -60 °C to +70 °C)
Ambient temperature (assembly)	-5 °C ... 70 °C
Ambient temperature (actuation)	-5 °C ... 70 °C
Permissible humidity (storage/transport)	30 % ... 70 %

## Mounting

Mounting type	Neutral busbar
---------------	----------------

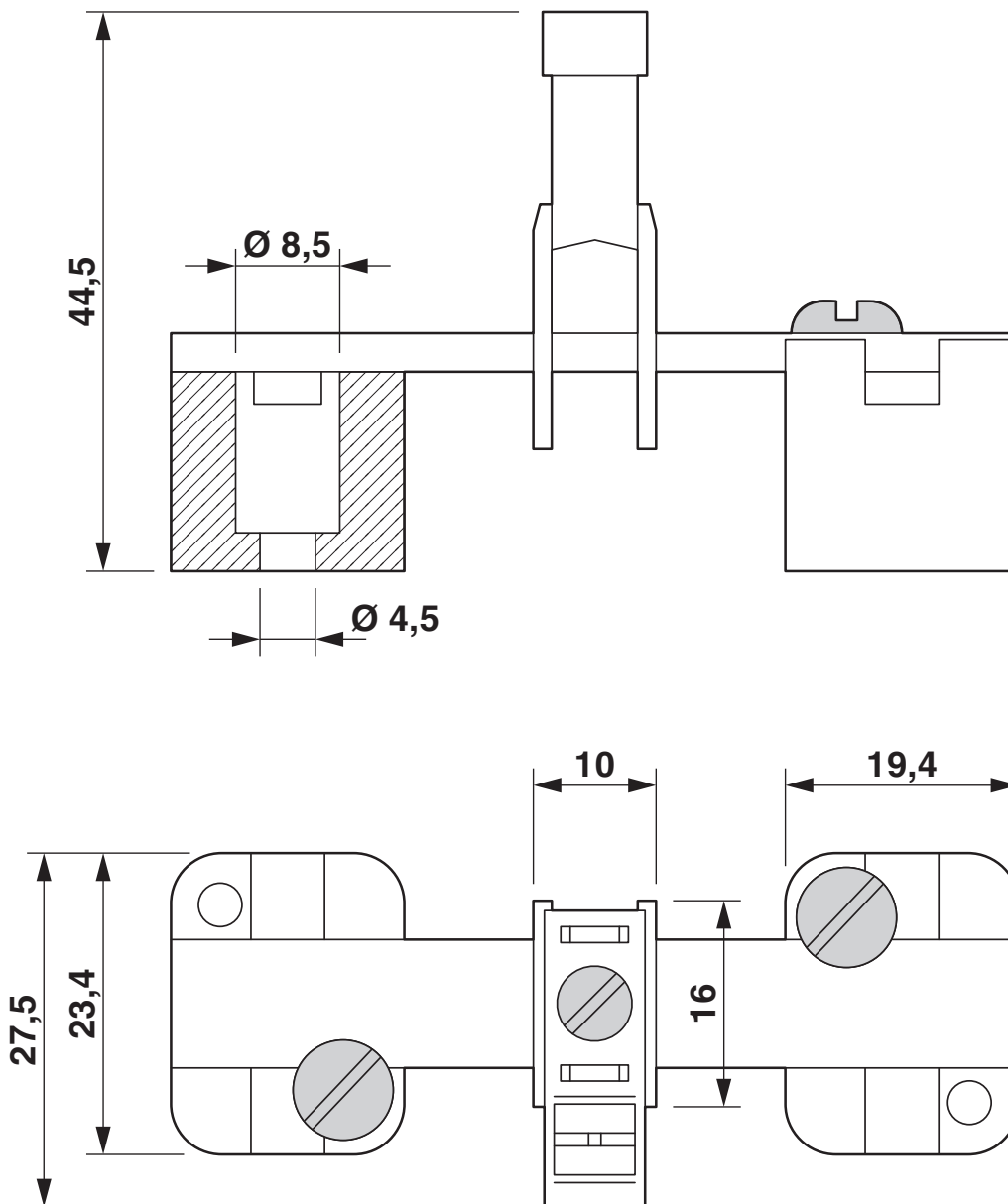
# AKG 16 BK - Connection terminal block

0423030

<https://www.phoenixcontact.com/in/products/0423030>

## Drawings

Dimensional drawing



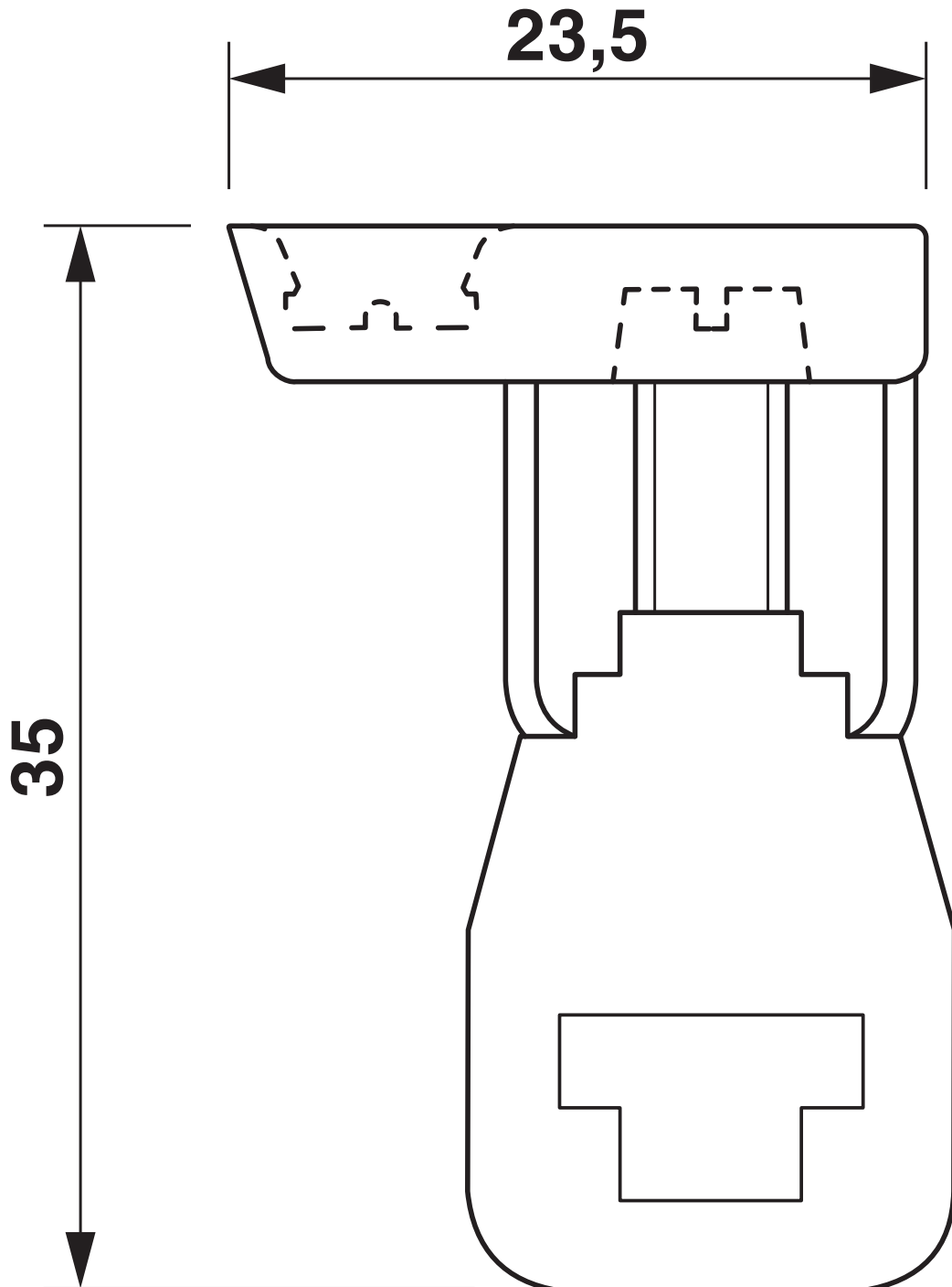
# AKG 16 BK - Connection terminal block



0423030

<https://www.phoenixcontact.com/in/products/0423030>

Dimensional drawing




# AKG 16 BK - Connection terminal block





0423030

<https://www.phoenixcontact.com/in/products/0423030>

## Approvals

 <b>CSA</b> Approval ID: 13631				
	Nominal Voltage $U_N$	Nominal Current $I_N$	Cross Section AWG	Cross Section $\text{mm}^2$
	-	65 A	18 - 6	-

 <b>UL Recognized</b> Approval ID: E60425				
	Nominal Voltage $U_N$	Nominal Current $I_N$	Cross Section AWG	Cross Section $\text{mm}^2$
Use group B	-	65 A	18 - 6	-
Use group C	-	65 A	18 - 6	-
Use group F	-	65 A	18 - 6	-

 <b>EAC</b> Approval ID: RU C-DE.BL08.B.00534				
---	--	--	--	--

# AKG 16 BK - Connection terminal block



0423030

<https://www.phoenixcontact.com/in/products/0423030>

## Classifications

### ECLASS

ECLASS-11.0	27141146
ECLASS-12.0	27141146
ECLASS-13.0	27250116

### ETIM

ETIM 8.0	EC000001
----------	----------

### UNSPSC

UNSPSC 21.0	31162900
-------------	----------

# AKG 16 BK - Connection terminal block



0423030

<https://www.phoenixcontact.com/in/products/0423030>

## Environmental Product Compliance

China RoHS	Environmentally friendly use period: unlimited = EFUP-e
	No hazardous substances above threshold values



# AKG 16 BK - Connection terminal block

0423030

<https://www.phoenixcontact.com/in/products/0423030>

## Accessories

 Note: Applying some accessories below might limit this product.

### NLS-CU 3/10 SN 1000MM - Neutral busbar

0402174

<https://www.phoenixcontact.com/in/products/0402174>



Neutral busbar, DIN VDE 0611-4: 1991-02, material: Copper, tin-plated, color: silver

 Max. current carrying capacity: 140 A

### ABN 2/SS - Support bracket

0404460

<https://www.phoenixcontact.com/in/products/0404460>



Double support bracket, insulating material, optionally for use with 3 x 10 mm or 6 x 6 mm busbar, height in closed state: 39 mm

# AKG 16 BK - Connection terminal block

0423030

<https://www.phoenixcontact.com/in/products/0423030>



## UAB 1 - Support bracket

3032431

<https://www.phoenixcontact.com/in/products/3032431>



Support bracket, number of positions: 1, mounting type: DIN rail mounting, color: gray

---

## AB/SS - Support bracket

0404428

<https://www.phoenixcontact.com/in/products/0404428>



Support bracket made from insulation material, with retaining screw, can be used with either 3 x 10 mm or 6 x 6 mm busbar, color: gray

# AKG 16 BK - Connection terminal block

0423030

<https://www.phoenixcontact.com/in/products/0423030>



## AB2/SS - Support bracket

0404431

<https://www.phoenixcontact.com/in/products/0404431>



Double support bracket, insulating material, optionally for use with 3 mm x 10 mm or 6 mm x 6 mm busbar, height: 48 mm

---

## SZS 1,0X4,0 VDE - Screwdriver

1205066

<https://www.phoenixcontact.com/in/products/1205066>



Screwdriver, slot-headed, VDE insulated, size: 1.0 x 4.0 x 100 mm, 2-component grip, with non-slip grip

# AKG 16 BK - Connection terminal block

0423030

<https://www.phoenixcontact.com/in/products/0423030>



## SZS 1,0X6,5 VDE - Screwdriver

1205079

<https://www.phoenixcontact.com/in/products/1205079>



Screwdriver, slot-headed, VDE insulated, size: 1.0 x 6.5 x 150 mm, 2-component grip, with non-slip grip

---

## NLS-CU 6/ 6 SN 1000MM - Neutral busbar

0402161

<https://www.phoenixcontact.com/in/products/0402161>



Neutral busbar, material: Copper, tin-plated, color: silver

# AKG 16 BK - Connection terminal block



0423030

<https://www.phoenixcontact.com/in/products/0423030>

## ZB 6:UNBEDRUCKT - Zack marker strip

1051003

<https://www.phoenixcontact.com/in/products/1051003>



Zack marker strip, Strip, white, unlabeled, can be labeled with: PLOTMARK, CMS-P1-PLOTTER, mounting type: snapped, for terminal block width: 6.2 mm, lettering field size: 6.15 x 10.5 mm, Number of individual labels: 10

---

## ZB 6 CUS - Zack marker strip

0824992

<https://www.phoenixcontact.com/in/products/0824992>



Zack marker strip, can be ordered: Strip, white, labeled according to customer specifications, mounting type: snap into tall marker groove, for terminal block width: 6.2 mm, lettering field size: 6.15 x 10.5 mm, Number of individual labels: 10

# AKG 16 BK - Connection terminal block



0423030

<https://www.phoenixcontact.com/in/products/0423030>

## ZB 6,LGS:FORTL.ZAHLEN - Zack marker strip

1051016

<https://www.phoenixcontact.com/in/products/1051016>

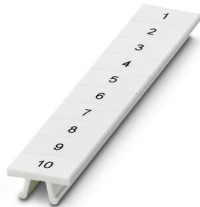


Zack marker strip, Strip, white, labeled, can be labeled with: CMS-P1-PLOTTER, printed horizontally: consecutive numbers 1 ... 10, 11 ... 20, etc. up to 491 ... 500, mounting type: snapped, for terminal block width: 6.2 mm, lettering field size: 6. 15 x 10.5 mm, Number of individual labels: 10

## ZB 6,QR:FORTL.ZAHLEN - Zack marker strip

1051029

<https://www.phoenixcontact.com/in/products/1051029>



Zack marker strip, Strip, white, labeled, can be labeled with: CMS-P1-PLOTTER, Printed vertically: consecutive numbers 1 ... 10, 11 ... 20, etc. up to 491 ... 500, mounting type: snapped, for terminal block width: 6.2 mm, lettering field size: 6. 15 x 10.5 mm, Number of individual labels: 10

# AKG 16 BK - Connection terminal block



0423030

<https://www.phoenixcontact.com/in/products/0423030>

## ZB 6,LGS:GLEICHE ZAHLEN - Zack marker strip

1051032

<https://www.phoenixcontact.com/in/products/1051032>



Zack marker strip, Strip, white, labeled, can be labeled with: CMS-P1-PLOTTER, printed horizontally: Identical numbers 1 or 2, etc. up to 100, mounting type: snapped, for terminal block width: 6.2 mm, lettering field size: 6.15 x 10.5 mm, Number of individual labels: 10

---

## ZB 6,LGS:L1-N,PE - Marker for terminal blocks

1051414

<https://www.phoenixcontact.com/in/products/1051414>



Marker for terminal blocks, Strip, white, labeled, can be labeled with: CMS-P1-PLOTTER, horizontal: L1, L2, L3, N, PE, L1, L2, L3, N, PE, mounting type: snapped, for terminal block width: 6.2 mm, lettering field size: 6.15 x 10.5 mm, Number of individual labels: 10

# AKG 16 BK - Connection terminal block



0423030

<https://www.phoenixcontact.com/in/products/0423030>

## ZB 6,LGS:U-N - Marker for terminal blocks

1051430

<https://www.phoenixcontact.com/in/products/1051430>



Marker for terminal blocks, Strip, white, labeled, can be labeled with: CMS-P1-PLOTTER, printed horizontally: U, V, W, N, GND, U, V, W, N, GND, mounting type: snapped, for terminal block width: 6.2 mm, lettering field size: 6.15 x 10.5 mm, Number of individual labels: 10

---

## UC-TM 6 - Marker for terminal blocks

0818085

<https://www.phoenixcontact.com/in/products/0818085>



Marker for terminal blocks, Sheet, white, unlabeled, can be labeled with: BLUEMARK ID COLOR, BLUEMARK ID, BLUEMARK CLED, PLOTMARK, CMS-P1-PLOTTER, mounting type: snapped, for terminal block width: 6.2 mm, lettering field size: 5.6 x 10.5 mm, Number of individual labels: 80



# AKG 16 BK - Connection terminal block

0423030

<https://www.phoenixcontact.com/in/products/0423030>



## UC-TM 6 CUS - Marker for terminal blocks

0824589

<https://www.phoenixcontact.com/in/products/0824589>



Marker for terminal blocks, can be ordered: by sheet, white, labeled according to customer specifications, mounting type: snap into tall marker groove, for terminal block width: 6.2 mm, lettering field size: 5.6 x 10.5 mm, Number of individual labels: 80

---

## UCT-TM 6 - Marker for terminal blocks

0828736

<https://www.phoenixcontact.com/in/products/0828736>



Marker for terminal blocks, Sheet, white, unlabeled, can be labeled with: TOPMARK NEO, TOPMARK LASER, BLUEMARK ID COLOR, BLUEMARK ID, BLUEMARK CLED, THERMOMARK PRIME, THERMOMARK CARD 2.0, THERMOMARK CARD, mounting type: snapped, for terminal block width: 6.2 mm, lettering field size: 5.6 x 10.5 mm, Number of individual labels: 60

# AKG 16 BK - Connection terminal block

0423030

<https://www.phoenixcontact.com/in/products/0423030>



## UCT-TM 6 CUS - Marker for terminal blocks

0829602

<https://www.phoenixcontact.com/in/products/0829602>



Marker for terminal blocks, can be ordered: by sheet, white, labeled according to customer specifications, mounting type: snap into tall marker groove, for terminal block width: 6.2 mm, lettering field size: 5.6 x 10.5 mm, Number of individual labels: 60

---

Phoenix Contact 2023 © - all rights reserved

<https://www.phoenixcontact.com>

PHOENIX CONTACT (I) Pvt. Ltd.

A-58/2, Okhla Industrial Area, Phase - II, New Delhi-110 020

+91.1275.71420

[info@phoenixcontact.co.in](mailto:info@phoenixcontact.co.in)