

# AB/SS - Support bracket



0404428

<https://www.phoenixcontact.com/in/products/0404428>

Please be informed that the data shown in this PDF document is generated from our Online Catalog. Please find the complete data in the user documentation. Our General Terms of Use for Downloads are valid.



Support bracket made from insulation material, with retaining screw, can be used with either 3 x 10 mm or 6 x 6 mm busbar, color: gray

## Commercial Data

Item number	0404428
Packing unit	10 pc
Minimum order quantity	10 pc
Sales Key	BE7
Product Key	BE7113
Catalog Page	Page 552 (C-3-2019)
GTIN	4017918001889
Weight per Piece (including packing)	7.17 g
Weight per Piece (excluding packing)	7.05 g
Customs tariff number	85472000
Country of origin	IN

# AB/SS - Support bracket

0404428

<https://www.phoenixcontact.com/in/products/0404428>



## Technical Data

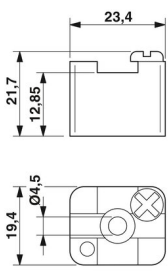
### Product properties

Product type	Support
Number of positions	1.00

### Electrical properties

Nominal current $I_N$	0 A
-----------------------	-----

### Dimensions

Dimensional drawing	
Width	19.4 mm
Height	21.7 mm
Length	23.4 mm
Diameter	4.5 mm

### Material specifications

Color	gray
Material	PA
Flammability rating according to UL 94	V0
Static insulating material application in cold	-40 °C
Temperature index of insulation material (DIN EN 60216-1 (VDE 0304-21))	125 °C
Components	free from silicone and halogen

### Environmental and real-life conditions

#### Ambient conditions

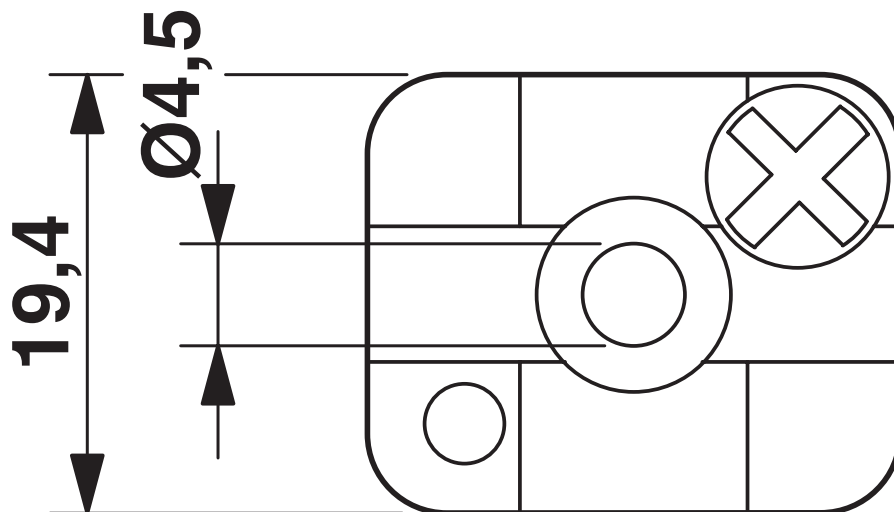
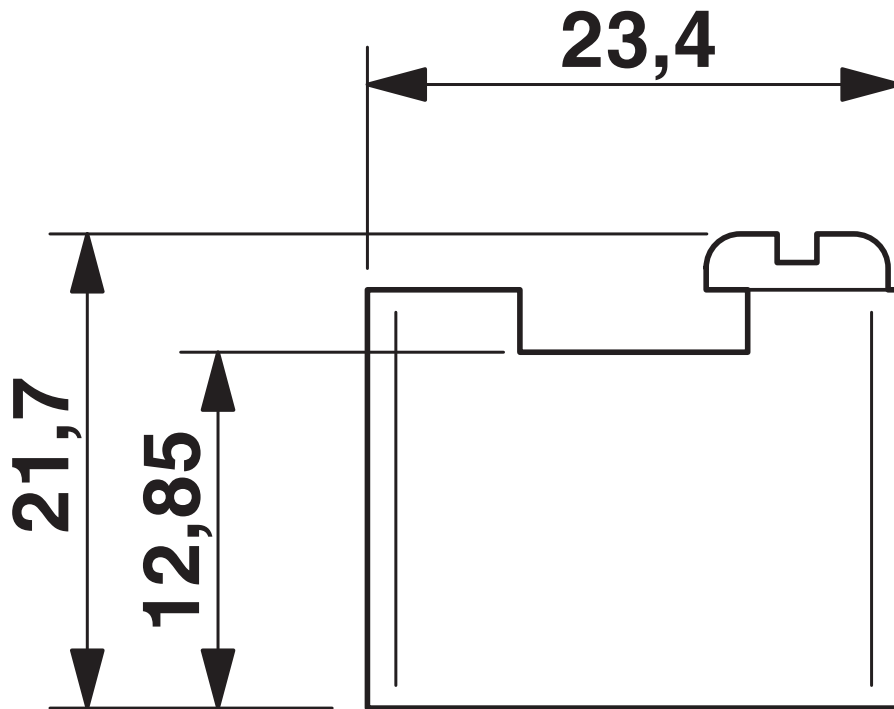
Ambient temperature (operation)	-60 °C ... 105 °C (max. short-term operating temperature RTI Elec.)
Ambient temperature (storage/transport)	-25 °C ... 60 °C (for a short time, not exceeding 24 h, -60 °C to +70 °C)
Ambient temperature (assembly)	-5 °C ... 70 °C
Ambient temperature (actuation)	-5 °C ... 70 °C
Permissible humidity (storage/transport)	30 % ... 70 %

### Mounting

Mounting type	Direct mounting
---------------	-----------------

Drawings

Dimensional drawing



# AB/SS - Support bracket

0404428

<https://www.phoenixcontact.com/in/products/0404428>



## Classifications

### ECLASS

ECLASS-11.0	27400607
ECLASS-12.0	27400607
ECLASS-13.0	27400607

### ETIM

ETIM 8.0	EC001166
----------	----------

### UNSPSC

UNSPSC 21.0	39121700
-------------	----------

# AB/SS - Support bracket

0404428

<https://www.phoenixcontact.com/in/products/0404428>



## Environmental Product Compliance

China RoHS	Environmentally friendly use period: unlimited = EFUP-e
	No hazardous substances above threshold values

# AB/SS - Support bracket

0404428

<https://www.phoenixcontact.com/in/products/0404428>



## Accessories

### NLS-CU 3/10 SN 2000MM - Neutral busbar

0402006

<https://www.phoenixcontact.com/in/products/0402006>



Neutral busbar, DIN VDE 0611-4: 1991-02, material: Copper, tin-plated, color: silver

---

### NLS-CU 3/10 SN 1000MM - Neutral busbar

0402174

<https://www.phoenixcontact.com/in/products/0402174>



Neutral busbar, DIN VDE 0611-4: 1991-02, material: Copper, tin-plated, color: silver

# AB/SS - Support bracket

0404428

<https://www.phoenixcontact.com/in/products/0404428>



## NLS-CU 6/ 6 SN 1000MM - Neutral busbar

0402161

<https://www.phoenixcontact.com/in/products/0402161>



Neutral busbar, material: Copper, tin-plated, color: silver

---

Phoenix Contact 2023 © - all rights reserved

<https://www.phoenixcontact.com>

PHOENIX CONTACT (I) Pvt. Ltd.

A-58/2, Okhla Industrial Area, Phase - II, New Delhi-110 020

+91.1275.71420

[info@phoenixcontact.co.in](mailto:info@phoenixcontact.co.in)