

# AK 16 - Connection terminal block



0404033

<https://www.phoenixcontact.com/in/products/0404033>

Please be informed that the data shown in this PDF document is generated from our Online Catalog. Please find the complete data in the user documentation. Our General Terms of Use for Downloads are valid.



Connection terminal block, connection method: Screw connection, Rated cross section: 16 mm<sup>2</sup>, cross section: 1.5 mm<sup>2</sup> - 16 mm<sup>2</sup>, mounting: Neutral busbar, color: silver

## Commercial Data

|                                      |                     |
|--------------------------------------|---------------------|
| Item number                          | 0404033             |
| Packing unit                         | 50 pc               |
| Minimum order quantity               | 50 pc               |
| Sales Key                            | BE7                 |
| Product Key                          | BE7331              |
| Catalog Page                         | Page 555 (C-3-2019) |
| GTIN                                 | 4017918001858       |
| Weight per Piece (including packing) | 9.55 g              |
| Weight per Piece (excluding packing) | 9.51 g              |
| Customs tariff number                | 25093400            |
| Country of origin                    | IN                  |

# AK 16 - Connection terminal block

0404033

<https://www.phoenixcontact.com/in/products/0404033>

## Technical Data

### Product properties

|                       |                   |
|-----------------------|-------------------|
| Product type          | Pick-off terminal |
| Number of connections | 1                 |
| Number of rows        | 1                 |

### Electrical properties

|   |  |
|---|--|
| Maximum load current                            | 76 A (with 16 mm <sup>2</sup> conductor cross section) |
| Maximum power dissipation for nominal condition | 2.43 W   |
| Nominal current I <sub>N</sub>                  | 76 A   |
| Current carrying capacity of the neutral busbar | 140 A  |

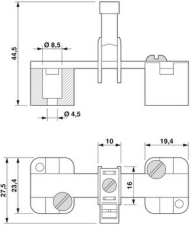
### Connection data

|                       |  |
|-----------------------|--|
| Nominal cross section | 16 mm <sup>2</sup>                                     |
| Maximum load current  | 76 A (with 16 mm <sup>2</sup> conductor cross section) |

#### Level 1 above 1 below 1

|  |  |
|--|--|
| Screw thread                                   | M5   |
| Tightening torque                              | 2.5 ... 3 Nm                               |
| Stripping length                               | 16 mm                                      |
| Conductor cross section rigid                  | 1.5 mm <sup>2</sup> ... 16 mm <sup>2</sup> |
| Cross section AWG                              | 16 ... 6 (converted acc. to IEC)           |
| Conductor cross section flexible               | 1.5 mm <sup>2</sup> ... 16 mm <sup>2</sup> |
| Conductor cross section, flexible [AWG]        | 16 ... 6 (converted acc. to IEC)           |
| 2 conductors with same cross section, solid    | 1.5 mm <sup>2</sup> ... 6 mm <sup>2</sup>  |
| 2 conductors with same cross section, flexible | 1.5 mm <sup>2</sup> ... 6 mm <sup>2</sup>  |
| Nominal cross section                          | 16 mm <sup>2</sup>                         |

### Dimensions

|                     |  |
|---------------------|--|
| Dimensional drawing |  |
| Width               | 9.8 mm   |
| Height              | 34 mm  |
| Length              | 16 mm  |

### Material specifications

|       |        |
|-------|--------|
| Color | silver |
|-------|--------|

# AK 16 - Connection terminal block



0404033

<https://www.phoenixcontact.com/in/products/0404033>

## Mounting

|               |                |
|---------------|----------------|
| Mounting type | Neutral busbar |
|---------------|----------------|

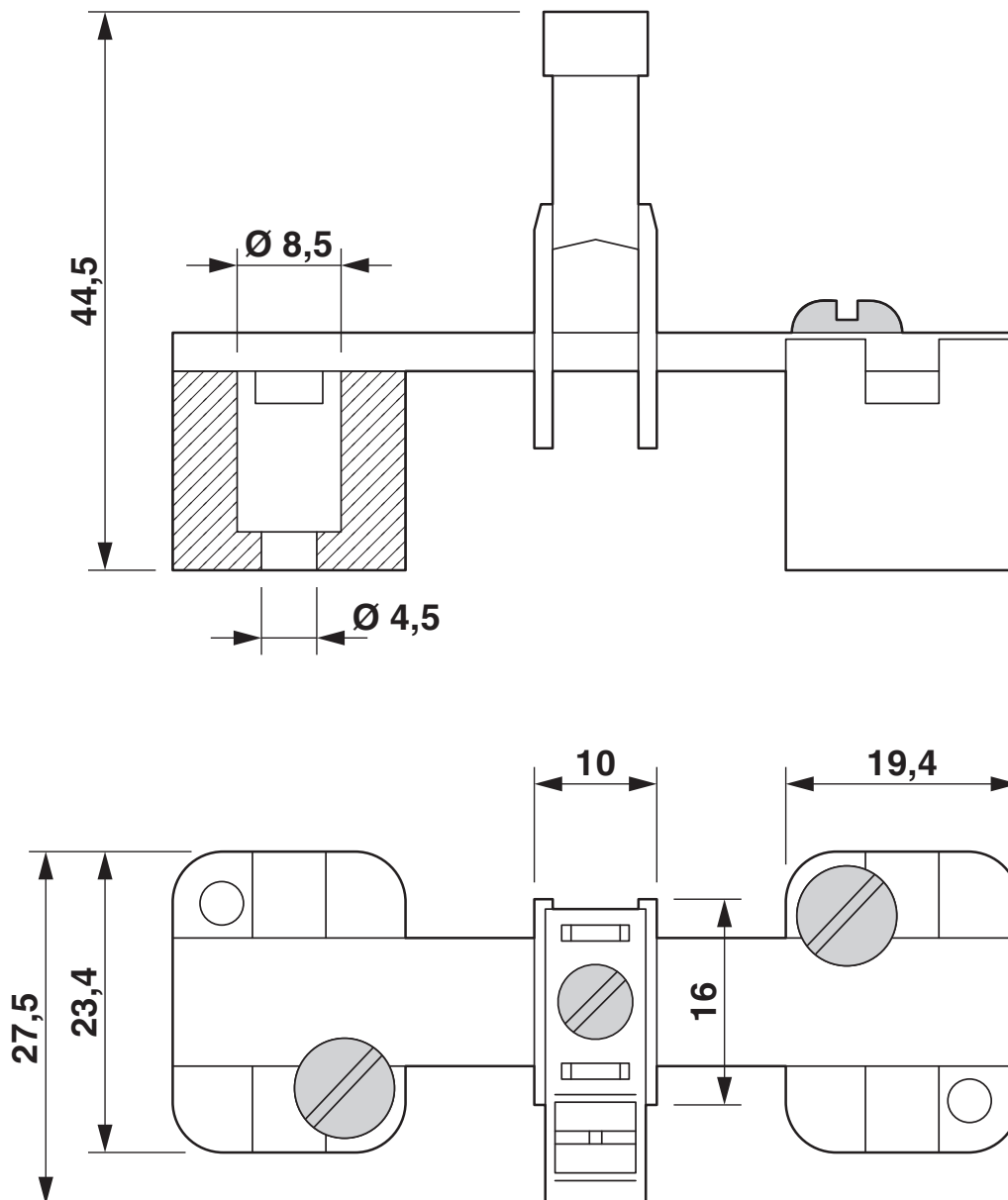
# AK 16 - Connection terminal block

0404033

<https://www.phoenixcontact.com/in/products/0404033>

## Drawings

Dimensional drawing

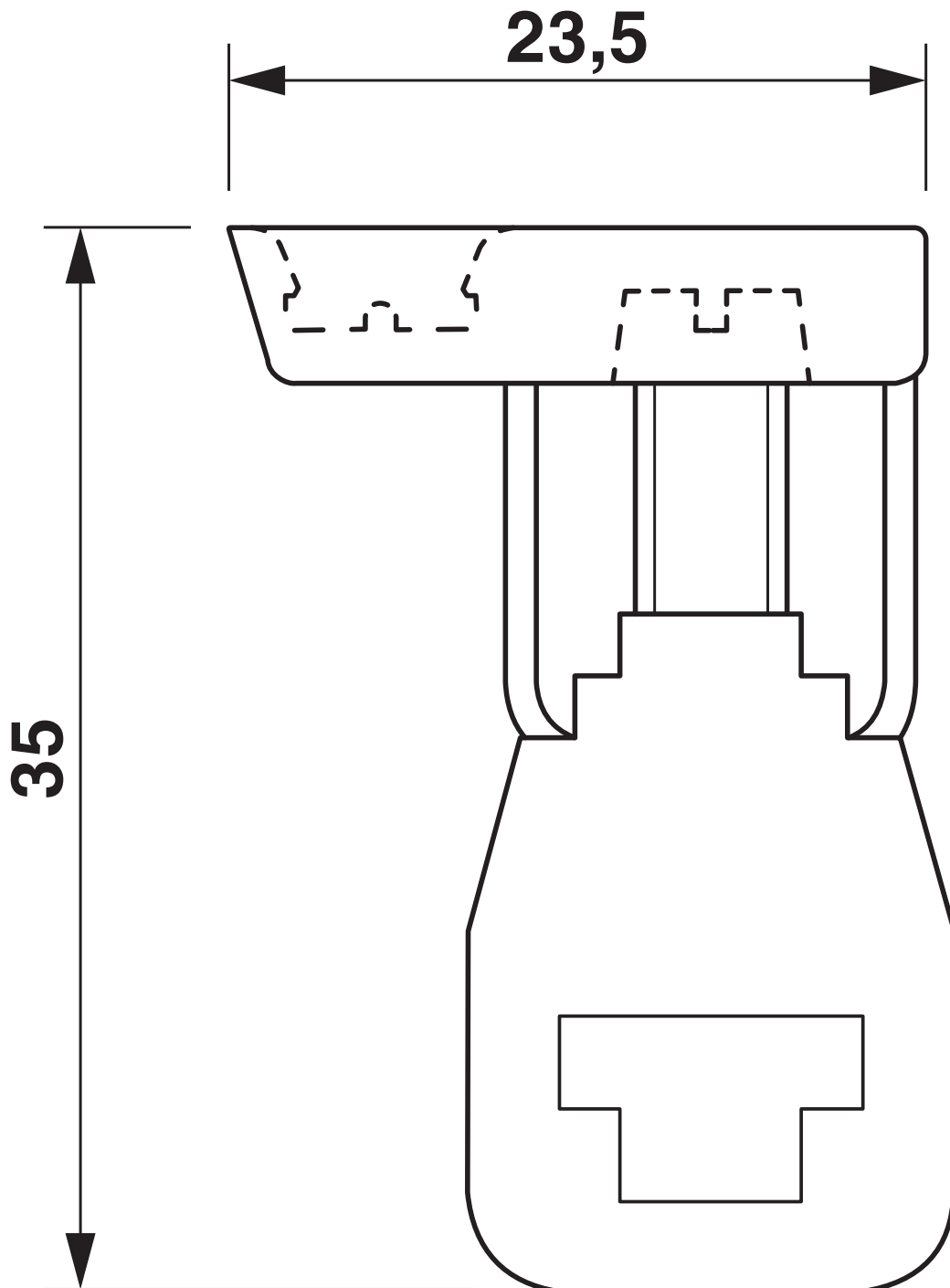


# AK 16 - Connection terminal block

0404033

<https://www.phoenixcontact.com/in/products/0404033>

Dimensional drawing



# AK 16 - Connection terminal block



0404033

<https://www.phoenixcontact.com/in/products/0404033>

## Approvals



**EAC**

Approval ID: RU C-DE.BL08.B.00534

# AK 16 - Connection terminal block



0404033

<https://www.phoenixcontact.com/in/products/0404033>

## Classifications

### ECLASS

|             |          |
|-------------|----------|
| ECLASS-11.0 | 27141146 |
| ECLASS-12.0 | 27141146 |
| ECLASS-13.0 | 27250116 |

### ETIM

|          |          |
|----------|----------|
| ETIM 8.0 | EC000001 |
|----------|----------|

### UNSPSC

|             |          |
|-------------|----------|
| UNSPSC 21.0 | 31162900 |
|-------------|----------|

# AK 16 - Connection terminal block



0404033

<https://www.phoenixcontact.com/in/products/0404033>

## Environmental Product Compliance

|            |   |
|------------|---|
| China RoHS | Environmentally friendly use period: unlimited = EFUP-e |
|            | No hazardous substances above threshold values          |



# AK 16 - Connection terminal block

0404033

<https://www.phoenixcontact.com/in/products/0404033>



## Accessories

**i** Note: Applying some accessories below might limit this product.

### NLS-CU 3/10 SN 1000MM - Neutral busbar

0402174

<https://www.phoenixcontact.com/in/products/0402174>



Neutral busbar, DIN VDE 0611-4: 1991-02, material: Copper, tin-plated, color: silver

**i** Max. current carrying capacity: 140 A

### UAB 1 - Support bracket

3032431

<https://www.phoenixcontact.com/in/products/3032431>



Support bracket, number of positions: 1, mounting type: DIN rail mounting, color: gray

# AK 16 - Connection terminal block

0404033

<https://www.phoenixcontact.com/in/products/0404033>



## ABN 2/SS - Support bracket

0404460

<https://www.phoenixcontact.com/in/products/0404460>



Double support bracket, insulating material, optionally for use with 3 x 10 mm or 6 x 6 mm busbar, height in closed state: 39 mm

---

## AB2/SS - Support bracket

0404431

<https://www.phoenixcontact.com/in/products/0404431>



Double support bracket, insulating material, optionally for use with 3 mm x 10 mm or 6 mm x 6 mm busbar, height: 48 mm

# AK 16 - Connection terminal block

0404033

<https://www.phoenixcontact.com/in/products/0404033>



## AB/SS - Support bracket

0404428

<https://www.phoenixcontact.com/in/products/0404428>



Support bracket made from insulation material, with retaining screw, can be used with either 3 x 10 mm or 6 x 6 mm busbar, color: gray

---

## SZS 1,0X4,0 VDE - Screwdriver

1205066

<https://www.phoenixcontact.com/in/products/1205066>



Screwdriver, slot-headed, VDE insulated, size: 1.0 x 4.0 x 100 mm, 2-component grip, with non-slip grip

# AK 16 - Connection terminal block

0404033

<https://www.phoenixcontact.com/in/products/0404033>

## SZS 1,0X6,5 VDE - Screwdriver

1205079

<https://www.phoenixcontact.com/in/products/1205079>



Screwdriver, slot-headed, VDE insulated, size: 1.0 x 6.5 x 150 mm, 2-component grip, with non-slip grip

---

## NLS-CU 6/ 6 SN 1000MM - Neutral busbar

0402161

<https://www.phoenixcontact.com/in/products/0402161>



Neutral busbar, material: Copper, tin-plated, color: silver

# AK 16 - Connection terminal block

0404033

<https://www.phoenixcontact.com/in/products/0404033>

## ZB 6:UNBEDRUCKT - Zack marker strip

1051003

<https://www.phoenixcontact.com/in/products/1051003>



Zack marker strip, Strip, white, unlabeled, can be labeled with: PLOTMARK, CMS-P1-PLOTTER, mounting type: snapped, for terminal block width: 6.2 mm, lettering field size: 6.15 x 10.5 mm, Number of individual labels: 10

---

## ZB 6 CUS - Zack marker strip

0824992

<https://www.phoenixcontact.com/in/products/0824992>



Zack marker strip, can be ordered: Strip, white, labeled according to customer specifications, mounting type: snap into tall marker groove, for terminal block width: 6.2 mm, lettering field size: 6.15 x 10.5 mm, Number of individual labels: 10

# AK 16 - Connection terminal block

0404033

<https://www.phoenixcontact.com/in/products/0404033>

## ZB 6,LGS:FORTL.ZAHLEN - Zack marker strip

1051016

<https://www.phoenixcontact.com/in/products/1051016>



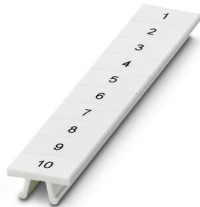
Zack marker strip, Strip, white, labeled, can be labeled with: CMS-P1-PLOTTER, printed horizontally: consecutive numbers 1 ... 10, 11 ... 20, etc. up to 491 ... 500, mounting type: snapped, for terminal block width: 6.2 mm, lettering field size: 6. 15 x 10.5 mm, Number of individual labels: 10

---

## ZB 6,QR:FORTL.ZAHLEN - Zack marker strip

1051029

<https://www.phoenixcontact.com/in/products/1051029>



Zack marker strip, Strip, white, labeled, can be labeled with: CMS-P1-PLOTTER, Printed vertically: consecutive numbers 1 ... 10, 11 ... 20, etc. up to 491 ... 500, mounting type: snapped, for terminal block width: 6.2 mm, lettering field size: 6. 15 x 10.5 mm, Number of individual labels: 10

# AK 16 - Connection terminal block

0404033

<https://www.phoenixcontact.com/in/products/0404033>

## ZB 6,LGS:GLEICHE ZAHLEN - Zack marker strip

1051032

<https://www.phoenixcontact.com/in/products/1051032>



Zack marker strip, Strip, white, labeled, can be labeled with: CMS-P1-PLOTTER, printed horizontally: Identical numbers 1 or 2, etc. up to 100, mounting type: snapped, for terminal block width: 6.2 mm, lettering field size: 6.15 x 10.5 mm, Number of individual labels: 10

---

## ZB 6,LGS:L1-N,PE - Marker for terminal blocks

1051414

<https://www.phoenixcontact.com/in/products/1051414>



Marker for terminal blocks, Strip, white, labeled, can be labeled with: CMS-P1-PLOTTER, horizontal: L1, L2, L3, N, PE, L1, L2, L3, N, PE, mounting type: snapped, for terminal block width: 6.2 mm, lettering field size: 6.15 x 10.5 mm, Number of individual labels: 10

# AK 16 - Connection terminal block



0404033

<https://www.phoenixcontact.com/in/products/0404033>

## ZB 6,LGS:U-N - Marker for terminal blocks

1051430

<https://www.phoenixcontact.com/in/products/1051430>



Marker for terminal blocks, Strip, white, labeled, can be labeled with: CMS-P1-PLOTTER, printed horizontally: U, V, W, N, GND, U, V, W, N, GND, mounting type: snapped, for terminal block width: 6.2 mm, lettering field size: 6.15 x 10.5 mm, Number of individual labels: 10

---

## UC-TM 6 - Marker for terminal blocks

0818085

<https://www.phoenixcontact.com/in/products/0818085>



Marker for terminal blocks, Sheet, white, unlabeled, can be labeled with: BLUEMARK ID COLOR, BLUEMARK ID, BLUEMARK CLED, PLOTMARK, CMS-P1-PLOTTER, mounting type: snapped, for terminal block width: 6.2 mm, lettering field size: 5.6 x 10.5 mm, Number of individual labels: 80



# AK 16 - Connection terminal block

0404033

<https://www.phoenixcontact.com/in/products/0404033>



## UC-TM 6 CUS - Marker for terminal blocks

0824589

<https://www.phoenixcontact.com/in/products/0824589>



Marker for terminal blocks, can be ordered: by sheet, white, labeled according to customer specifications, mounting type: snap into tall marker groove, for terminal block width: 6.2 mm, lettering field size: 5.6 x 10.5 mm, Number of individual labels: 80

---

## UCT-TM 6 - Marker for terminal blocks

0828736

<https://www.phoenixcontact.com/in/products/0828736>



Marker for terminal blocks, Sheet, white, unlabeled, can be labeled with: TOPMARK NEO, TOPMARK LASER, BLUEMARK ID COLOR, BLUEMARK ID, BLUEMARK CLED, THERMOMARK PRIME, THERMOMARK CARD 2.0, THERMOMARK CARD, mounting type: snapped, for terminal block width: 6.2 mm, lettering field size: 5.6 x 10.5 mm, Number of individual labels: 60

# AK 16 - Connection terminal block

0404033

<https://www.phoenixcontact.com/in/products/0404033>



## UCT-TM 6 CUS - Marker for terminal blocks

0829602

<https://www.phoenixcontact.com/in/products/0829602>



Marker for terminal blocks, can be ordered: by sheet, white, labeled according to customer specifications, mounting type: snap into tall marker groove, for terminal block width: 6.2 mm, lettering field size: 5.6 x 10.5 mm, Number of individual labels: 60

---

Phoenix Contact 2023 © - all rights reserved

<https://www.phoenixcontact.com>

PHOENIX CONTACT (I) Pvt. Ltd.

A-58/2, Okhla Industrial Area, Phase - II, New Delhi-110 020

+91.1275.71420

[info@phoenixcontact.co.in](mailto:info@phoenixcontact.co.in)