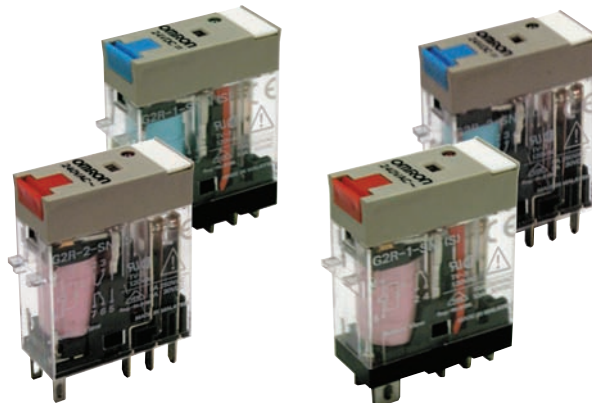


General-purpose Relay G2R-□-S (S)

CSM_G2R-_-S_(S)_DS_E_1_3

Slim and Space-saving Power Plug-in Relay

- Reduces wiring work by 60% when combined with the P2RF-□-PU Push-In Plus Socket (according to actual OMRON measurements).
- Lockable test button models available.
- Built-in mechanical operation indicator.
- Provided with nameplate.
- AC type is equipped with a coil-disconnection self-diagnostic function (LED type).
- High switching power (1-pole: 10 A).



For the most recent information on models that have been certified for safety standards, refer to your OMRON website.

Model Number Structure

Model Number Legend

G2R - □ - S □ □ (S)
1 2 3 4 5

1. Number of Poles

- 1: 1 pole
- 2: 2 poles

2. Terminals

- S: Plug-in

3. Classification

- Blank: General-purpose
- N: LED indicator
- D: Diode
- ND: LED indicator and diode
- NI: LED indicator with test button
- NDI: LED indicator and diode with test button

4. Rated Coil Voltage

5. Mechanical operation indicator and Nameplate

- (S): Models with mechanical operation indicator and Nameplate

Note: Contact your OMRON representative for Relays with gold-plated contacts.

Ordering Information

When your order, specify the rated voltage.

List of Models

| Classification | Coil ratings | Contact form | |
|--|---|----------------|----------------|
| | | SPDT | DPDT |
| General-purpose | AC 24, 110, 120, 230, 240 DC 6, 12, 24, 48 | G2R-1-S (S) | G2R-2-S (S) |
| LED indicator | | G2R-1-SN (S) | G2R-2-SN (S) |
| LED indicator with test button | | G2R-1-SNI (S) | G2R-2-SNI (S) |
| Diode | DC 6, 12, 24, 48 | G2R-1-SD (S) | G2R-2-SD (S) |
| LED indicator and diode | | G2R-1-SND (S) | G2R-2-SND (S) |
| LED indicator and diode with test button | | G2R-1-SNDI (S) | G2R-2-SNDI (S) |

Note: 1. The standard models are compliant with UL/CSA and VDE standards. Also, an EC compliance declaration has been made for combinations with the P2RF-□-E, P2RF-□-S and P2RF-□-PU. The Relays bear the CE Marking.

2. Refer to *Connecting Sockets*, below, for applicable Socket models.

3. When ordering, add the rated coil voltage and "(S)" to the model number. Rated coil voltages are given in the coil ratings table.

Example: G2R-1-S 12 VDC (S)

Rated coil voltage

Accessories (Order Separately)

Connecting Sockets

| Applicable Relay model | | Track/surface-mounting Socket | | Back-mounting Socket | |
|------------------------|-------------|-------------------------------|----------------------|----------------------|------------------|
| | | Push-In Plus Terminal Blocks | Screw terminals * | PCB terminals | Solder terminals |
| | | Model | Models | Models | Model |
| 1 pole | G2R-1-S (S) | P2RF-05-PU | P2RF-05 P2RF-05-E | P2R-05P P2R-057P | P2R-05A |
| 2 poles | G2R-2-S (S) | P2RF-08-PU | P2RF-08 P2RF-08-E | P2R-08P P2R-087P | P2R-08A |

* The structure of P2RF-□-E models provides finger protection. Round terminals cannot be used. Use forked crimp terminals.

Accessories for Push-In Plus Terminal Block Sockets (P2RF-□-PU)

Short Bars

| Pitch | No. of poles | Colors | Model * | Minimum order (quantity) |
|---------|--------------|-----------------------------------|----------------|--------------------------|
| 7.75 mm | 2 | Red (R) Blue (S) Yellow (Y) | PYDN-7.75-020□ | 10 |
| | 3 | | PYDN-7.75-030□ | |
| | 4 | | PYDN-7.75-040□ | |
| | 20 | | PYDN-7.75-200□ | |
| 15.5 mm | 8 | | PYDN-15.5-080□ | |

Note: Use the Short Bars for crossover wiring within one Socket or between Sockets.

* Replace the box (□) in the model number with the code for the covering color.

Labels

| Model | Minimum order (sheet) (quantity per sheet) |
|--------------|---|
| XW5Z-P4.0LB1 | 5 1 sheet (60 pieces) |

Mounting Tracks

| Applicable Socket | Description | | Model | Minimum order (quantity) |
|-------------------------|-------------------|-------------------------|-----------|-----------------------------|
| Track-connecting Socket | Mounting track | 50 cm (ℓ) × 7.3 mm (t): | PFP-50N | --- |
| | | 1 m (ℓ) × 7.3 mm (t): | PFP-100N | |
| | | 1 m (ℓ) × 16 mm (t): | PFP-100N2 | |
| Track-connecting Socket | End plate *1 | | PFP-M | 10 |
| | Spacer | | PFP-S | |
| Back-connecting Socket | Mounting plate *2 | | P2R-P | 1 |

*1. When mounting DIN rail, please use End Plate (PFP-M).

*2. Used to mount several P2R-05A and P2R-08A Connecting Sockets side by side.

Specifications

Coil Ratings

| Rated voltage | | Rated current* | | Coil resistance | Coil inductance (H) (ref. value) | | Must operate voltage | Must release voltage | Max. voltage | Power consumption (approx.) |
|---------------|-------|----------------|---------|-----------------|----------------------------------|-------------|----------------------|----------------------|--------------|-----------------------------|
| | | 50 Hz | 60 Hz | | Armature OFF | Armature ON | | | | |
| AC | 24 V | 43.5 mA | 37.4 mA | 253 Ω | 0.81 | 1.55 | 80% max. | 30% max. | 110% | 0.9 VA at 60 Hz |
| | 110 V | 9.5 mA | 8.2 mA | 5,566 Ω | 13.33 | 26.83 | | | | |
| | 120 V | 8.6 mA | 7.5 mA | 7,286 Ω | 16.13 | 32.46 | | | | |
| | 230 V | 4.4 mA | 3.8 mA | 27,172 Ω | 72.68 | 143.90 | | | | |
| | 240 V | 4.2 mA | 3.7 mA | 27,800 Ω | 90.58 | 182.34 | | | | |

| Rated voltage | | Rated current* | | Coil resistance | Coil inductance (H) (ref. value) | | Must operate voltage | Must release voltage | Max. voltage | Power consumption (approx.) |
|---------------|------|----------------|-------|-----------------|----------------------------------|-------------|----------------------|----------------------|--------------|-----------------------------|
| | | 50 Hz | 60 Hz | | Armature OFF | Armature ON | | | | |
| DC | 6 V | 87.0 mA | | 69 Ω | 0.25 | 0.48 | 70% max. | 15% min. | 110% | 0.53 W |
| | 12 V | 43.2 mA | | 278 Ω | 0.98 | 2.35 | | | | |
| | 24 V | 21.6 mA | | 1,113 Ω | 3.60 | 8.25 | | | | |
| | 48 V | 11.4 mA | | 4,220 Ω | 15.2 | 29.82 | | | | |

- Note:**
1. The rated current and coil resistance are measured at a coil temperature of 23°C with tolerances of +15%/-20% for the AC rated current and ±10% for the DC coil resistance.
 2. The AC coil resistance and inductance values are reference values only (at 60 Hz).
 3. Operating characteristics were measured at a coil temperature of 23°C.
 4. The maximum voltage is the maximum possible value of the voltage that can be applied to the relay coil. It is not the maximum voltage that can be applied continuously.

Contact Ratings

| Number of poles | 1 pole | | 2 poles | |
|----------------------------------|------------------------------------|---|----------------------------------|---|
| | Resistive load (cosφ = 1) | Inductive load (cosφ = 0.4; L/R = 7 ms) | Resistive load (cosφ = 1) | Inductive load (cosφ = 0.4; L/R = 7 ms) |
| Rated load | 10 A at 250 VAC; 10 A at 30 VDC | 7.5 A at 250 VAC; 5 A at 30 VDC | 5 A at 250 VAC; 5 A at 30 VDC | 2 A at 250 VAC; 3 A at 30 VDC |
| Rated carry current | 10 A | | 5 A | |
| Max. switching voltage | 440 VAC, 125 VDC | | 380 VAC, 125 VDC | |
| Max. switching current | 10 A | | 5 A | |
| Max. switching power | 2,500 VA, 300 W | 1,875 VA, 150 W | 1,250 VA, 150 W | 500 VA, 90 W |
| Failure rate (reference value) * | 100 mA at 5 VDC | | 10 mA at 5 VDC | |

Note: P level: $\lambda_{60} = 0.1 \times 10^{-6}$ /operation

* This value was measured at a switching frequency of 120 operations per minute.

Characteristics

| Item | 1 pole | 2 poles |
|--------------------------|--|---|
| Contact configuration | SPDT | |
| Contact structure | Single | |
| Contact resistance | 100 mΩ max. | |
| Operate (set) time | 15 ms max. | |
| Release (reset) time | AC: 10 ms max.; DC: 5 ms max. (w/built-in diode: 20 ms max.) | AC: 15 ms max.; DC: 10 ms max. (w/built-in diode: 20 ms max.) |
| Max. operating frequency | Mechanical: 18,000 operations/hr Electrical: 1,800 operations/hr (under rated load) | |
| Insulation resistance | 1,000 MΩ min. (at 500 VDC) | |
| Dielectric strength * | 5,000 VAC, 50/60 Hz for 1 min between coil and contacts; 1,000 VAC, 50/60 Hz for 1 min between contacts of same polarity | 5,000 VAC, 50/60 Hz for 1 min between coil and contacts; 3,000 VAC, 50/60 Hz for 1 min between contacts of different polarity 1,000 VAC, 50/60 Hz for 1 min between contacts of same polarity |
| Vibration resistance | Destruction: 10 to 55 to 10 Hz, 0.75 mm single amplitude (1.5 mm double amplitude) Malfunction: 10 to 55 to 10 Hz, 0.75 mm single amplitude (1.5 mm double amplitude) | |
| Shock resistance | Destruction: 1,000 m/s ² Malfunction: 200 m/s ² when energized; 100 m/s ² when not energized | |
| Endurance | Mechanical: AC coil: 10,000,000 operations min.; DC coil: 20,000,000 operations min. (at 18,000 operations/hr) Electrical: 100,000 operations min. (at 1,800 operations/hr under rated load) | |
| Ambient temperature | Operating: -40°C to 70°C (with no icing or condensation) | |
| Ambient humidity | Operating: 5% to 85% | |
| Weight | Approx. 20 g | |

Note: Values in the above table are the initial values.

* These values are relay only. Please refer to the "Products Related to Common Sockets and DIN Tracks Data Sheet" for connecting sockets.

Approved Standards

UL 508 (File No. E41643)

| Model | Contact form | Coil ratings | Contact ratings | Operations |
|-------------|--------------|------------------------------|---|-----------------------|
| G2R-1-S (S) | SPDT | 5 to 110 VDC 6 to 240 VAC | 10 A, 30 VDC (resistive) 10 A, 250 VAC (general use) | 100 × 10 ³ |
| | | | TV-3 (NO contact only) | 25 × 10 ³ |
| G2R-2-S (S) | DPDT | 5 to 110 VDC 6 to 240 VAC | 5 A, 30 VDC (resistive) 5 A, 250 VAC (general use) | 100 × 10 ³ |
| | | | TV-3 (NO contact only) | 25 × 10 ³ |

CSA 22.2 No.0, No.14

(File No. LR31928)

| Model | Contact form | Coil ratings | Contact ratings | Operations |
|-------------|--------------|------------------------------|---|-----------------------|
| G2R-1-S (S) | SPDT | 5 to 110 VDC 6 to 240 VAC | 10 A, 30 VDC (resistive) 10 A, 250 VAC (general use) | 100 × 10 ³ |
| | | | TV-3 (NO contact only) | 25 × 10 ³ |
| G2R-2-S (S) | DPDT | 5 to 110 VDC 6 to 240 VAC | 5 A, 30 VDC (resistive) 5 A, 250 VAC (general use) | 100 × 10 ³ |
| | | | TV-3 (NO contact only) | 25 × 10 ³ |

IEC/VDE (Certificate No. 40015012 EN 61810-1)

| Contact form | Coil ratings | Contact ratings | Operations |
|--------------|--|--|-----------------------|
| 1 pole | 6, 12, 24, 48 VDC 24, 110, 120, 230, 240 VAC | 5 A, 440 VAC (cosφ = 1.0) 10 A, 250 VAC (cosφ = 1.0) 10 A, 30 VDC (0 ms) | 100 × 10 ³ |
| 2 poles | 6, 12, 24, 48 VDC 24, 110, 120, 230, 240 VAC | 5 A, 250 VAC (cosφ = 1.0) 5 A, 30 VDC (0 ms) | 100 × 10 ³ |

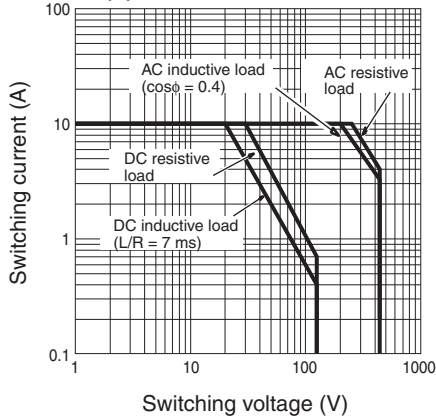
LR

| Number of poles | Coil ratings | Contact ratings | Operations |
|-----------------|------------------------------|--|-----------------------|
| 1 pole | 5 to 110 VDC 6 to 240 VDC | 10 A, 250 VAC (general use) 7.5 A, 250 VAC (PF0.4) 10 A, 30 VDC (resistive) 5A, 30VDC (L/R=7ms) | 100 × 10 ³ |
| 2 poles | 5 to 110 VDC 6 to 240 VDC | 5 A, 250 VAC (general use) 2 A, 250 VAC (PF0.4) 5 A, 30 VDC (resistive) 3A, 30VDC (L/R=7ms) | 100 × 10 ³ |

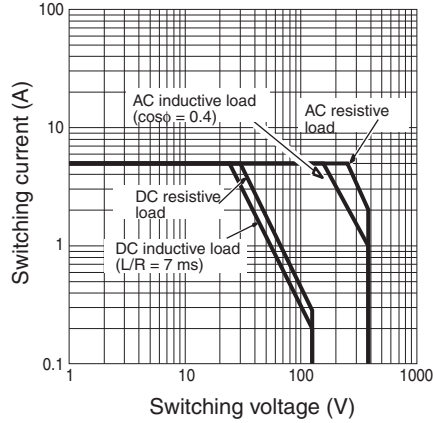
Engineering Data

Maximum Switching Power

G2R-1-S (S)

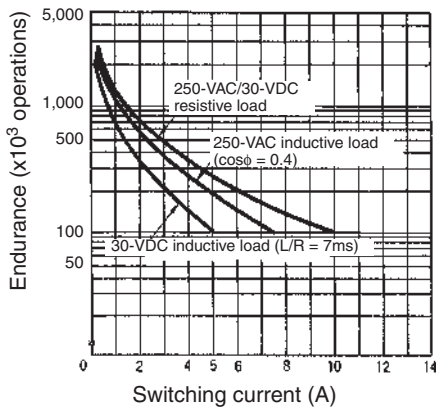


G2R-2-S (S)

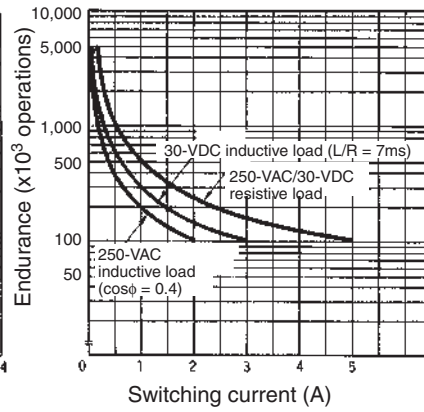


Endurance

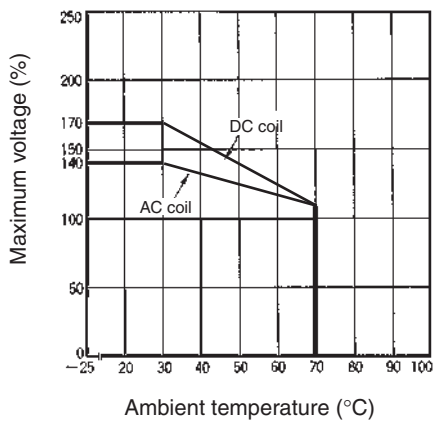
G2R-1-S (S)



G2R-2-S (S)



Ambient Temperature vs Maximum Coil Voltage

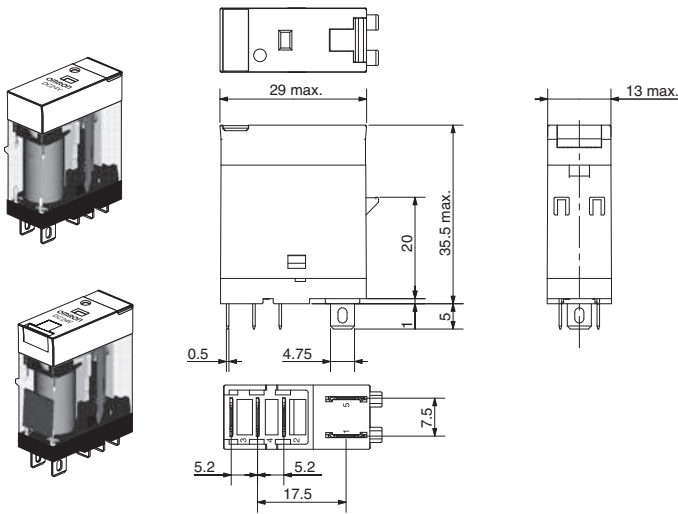


Dimensions

Note: All units are in millimeters unless otherwise indicated.

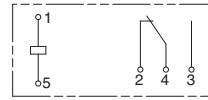
SPDT Relays

G2R-1-S (S), G2R-1-SN (S), G2R-1-SNI (S)
 G2R-1-SD (S), G2R-1-SND (S), G2R-1-SNDI (S)

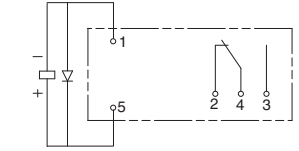


Terminal Arrangement/Internal Connections (Bottom View)

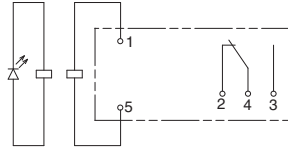
G2R-1-S (S)



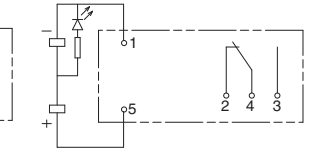
G2R-1-SD (S) (DC)



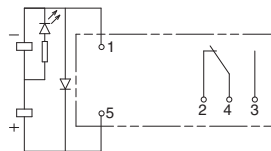
G2R-1-SN (S), G2R-1-SNI (S) (AC)



G2R-1-SN (S), G2R-1-SNI (S) (DC)

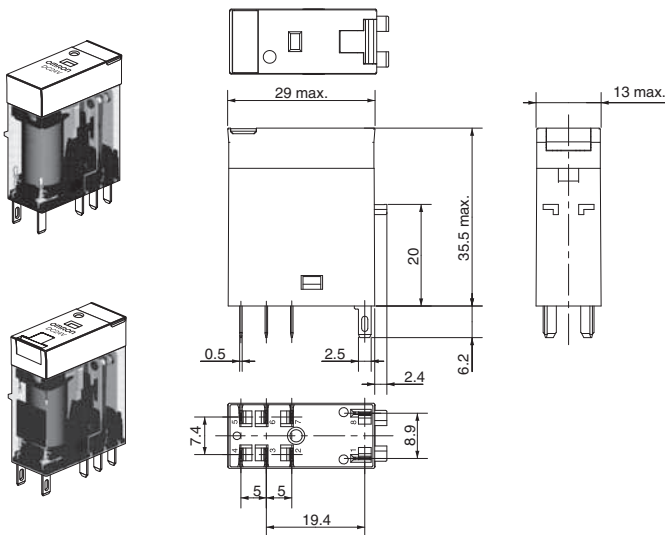


G2R-1-SND (S), G2R-1-SNDI (S) (DC)



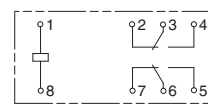
DPDT Relays

G2R-2-S (S), G2R-2-SN (S), G2R-2-SNI (S)
 G2R-2-SD (S), G2R-2-SND (S), G2R-2-SNDI (S)

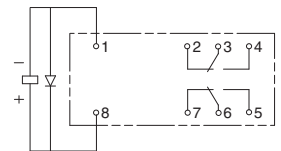


Terminal Arrangement/Internal Connections (Bottom View)

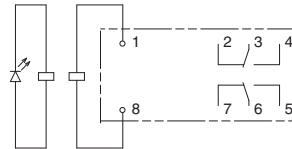
G2R-2-S (S)



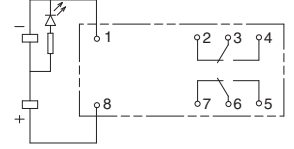
G2R-2-SD (S) (DC)



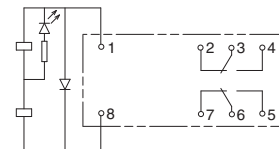
G2R-2-SN (S), G2R-2-SNI (S) (AC)



G2R-2-SN (S), G2R-2-SNI (S) (DC)



G2R-2-SND (S), G2R-2-SNDI (S) (DC)

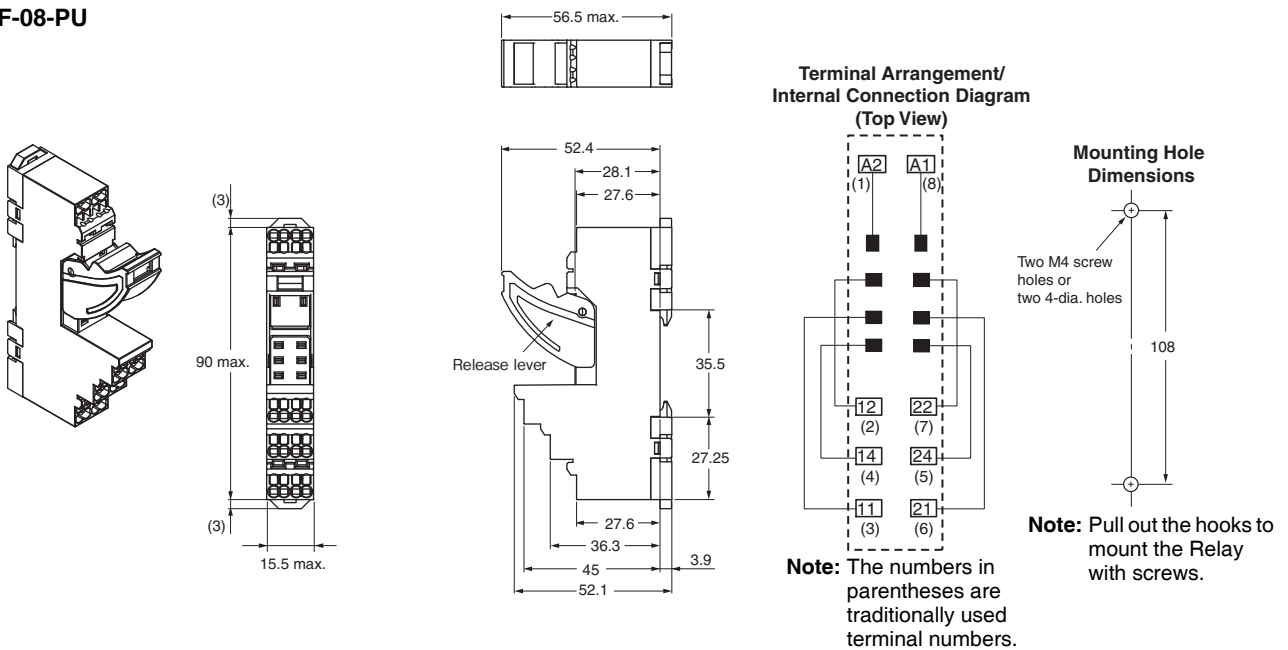


Track/Surface Mounting Sockets

P2RF-05-PU



P2RF-08-PU



Accessories for P2RF-□-PU Short Bars

PYDN-7.75-□□ (7.75 mm)



PYDN-15.5-080□ (15.5 mm)



| Application | Pitch | No. of poles | L (Length) | Colors | Model * | Maximum carry current |
|--------------------------------|---------|--------------|------------|-----------------------------------|----------------|-----------------------|
| For Contact terminals (common) | 7.75 mm | 2 | 15.1 | Red (R) Blue (S) Yellow (Y) | PYDN-7.75-020□ | 20 A |
| | | 3 | 22.85 | | PYDN-7.75-030□ | |
| | | 4 | 30.6 | | PYDN-7.75-040□ | |
| | | 20 | 154.6 | | PYDN-7.75-200□ | |
| For Coil terminals | 15.5 mm | 8 | 115.85 | | PYDN-15.5-080□ | |

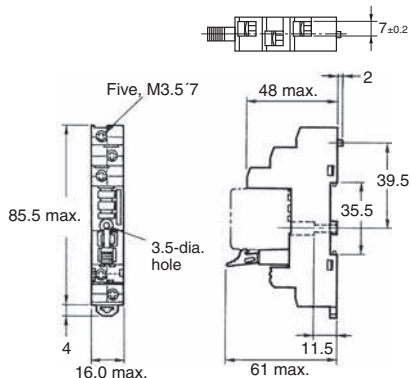
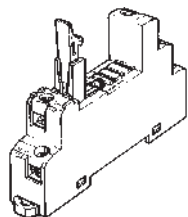
* Replace the box (□) in the model number with the code for the covering color.

- Note:** 1. Use the Short Bars for crossover wiring within one Socket or between Sockets.
 2. When using short bar to coil terminals of P2RF-□□-PU, A1 terminal cannot be used. In case crossover wiring of A1 terminal side is needed, crossover wiring using A1 terminals by wire is possible.

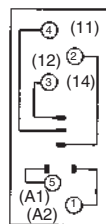
Short bar correspondence table

| | Contact terminal (Common) | Coil terminal | |
|------------|---------------------------|---------------|----|
| | | A1 | A2 |
| P2RF-□□-PU | Available | --- | ○ |

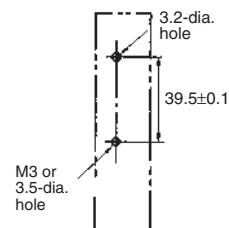
P2RF-05-E



Terminal Arrangement (Top View)

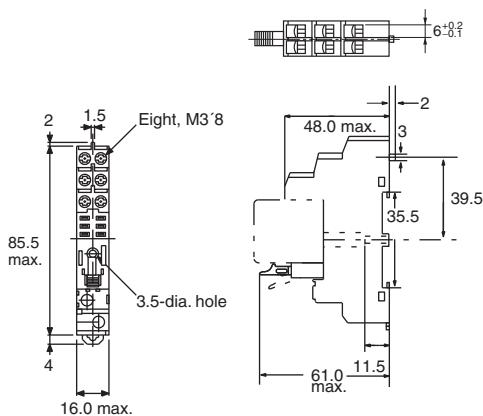
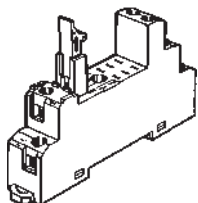


Mounting Holes (for Surface Mounting)

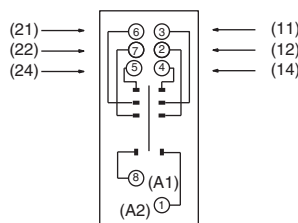


Note: Pin numbers in parentheses apply to DIN standard.

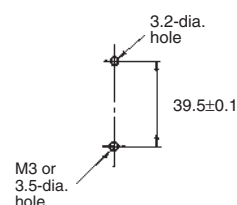
P2RF-08-E



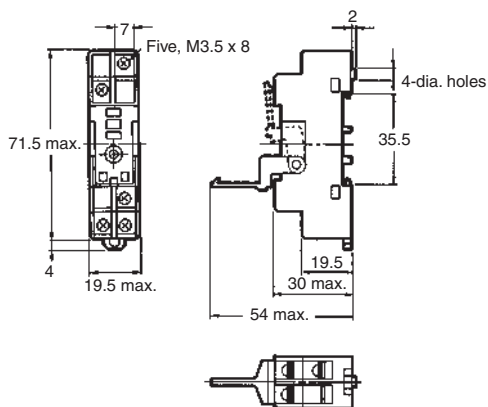
Terminal Arrangement (Top View)



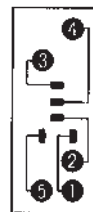
Mounting Holes (for Surface Mounting)



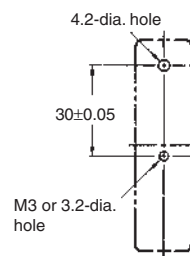
P2RF-05



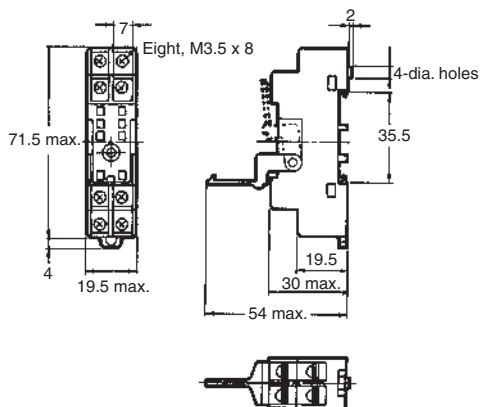
Terminal Arrangement (Top View)



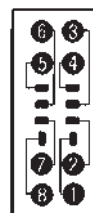
Mounting Holes (for Surface Mounting)



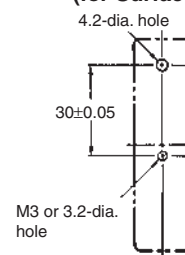
P2RF-08



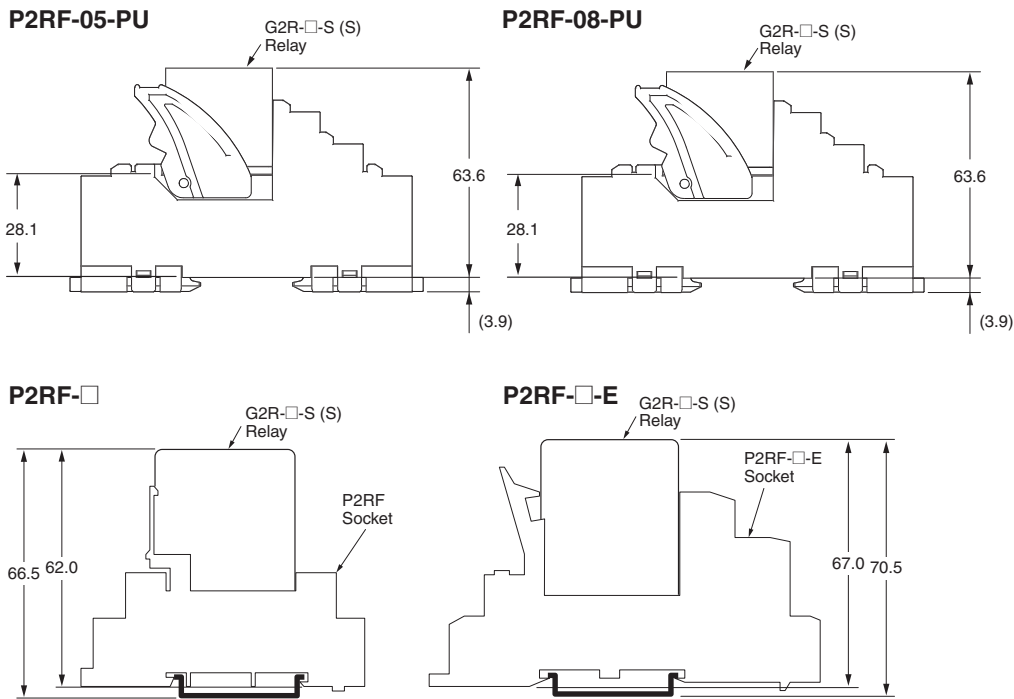
Terminal Arrangement (Top View)



Mounting Holes (for Surface Mounting)

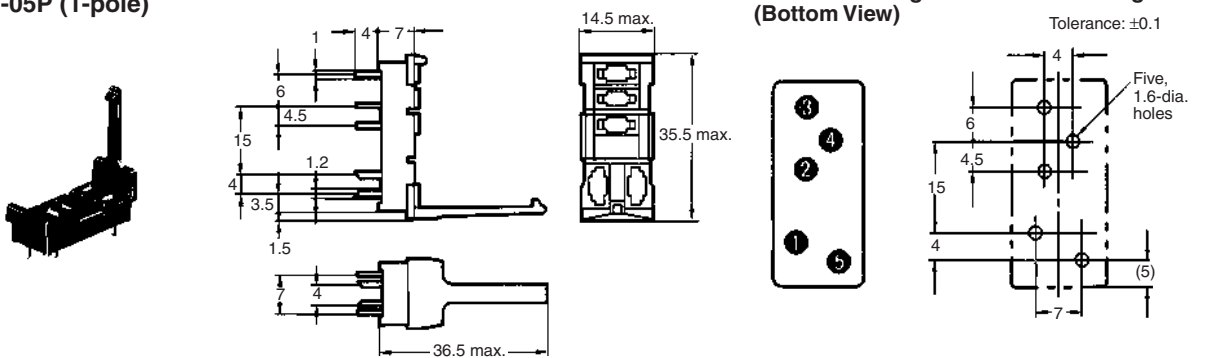


Mounting Height of Relay with Track/Surface Mounting Sockets

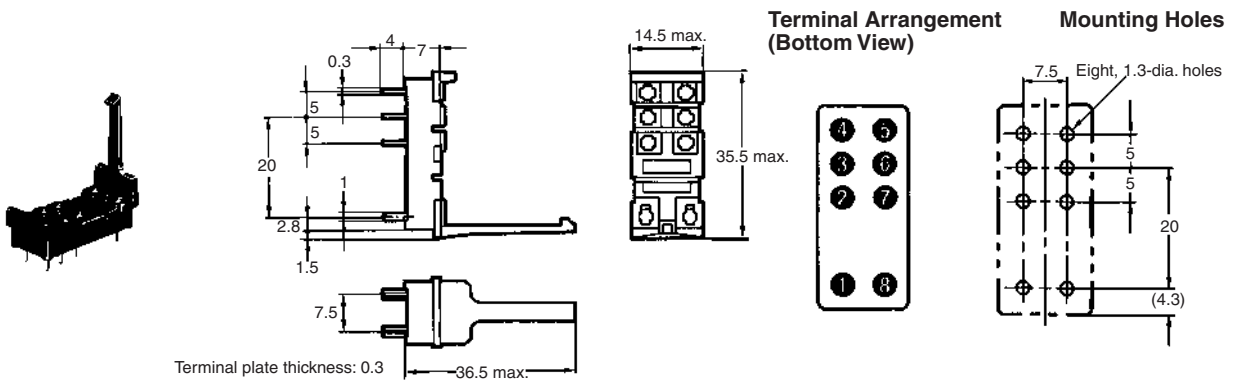


Back-connecting Sockets

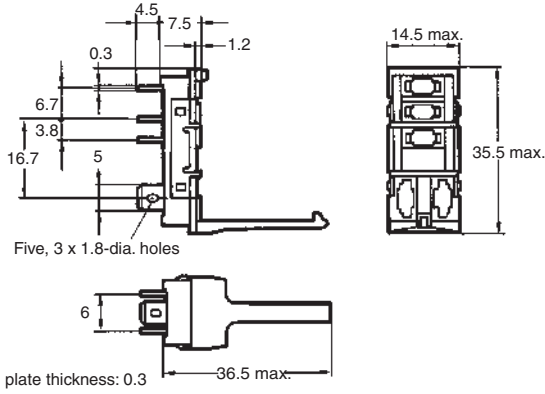
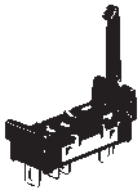
P2R-05P (1-pole)



P2R-08P (2-pole)



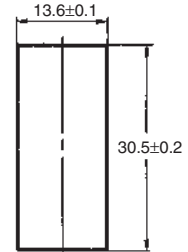
P2R-05A (1-pole)



Terminal Arrangement (Bottom View)

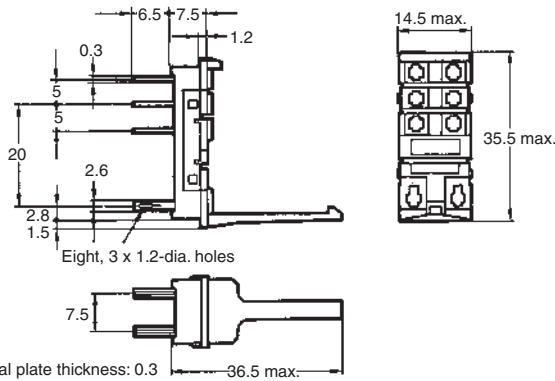
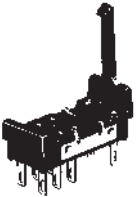


Panel Cutout

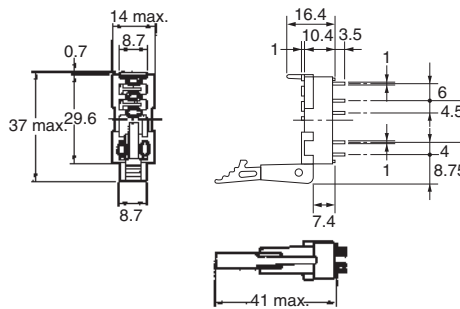
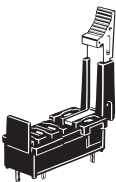


Recommended thickness of the panel is 1.6 to 2.0 mm

P2R-08A (2-pole)



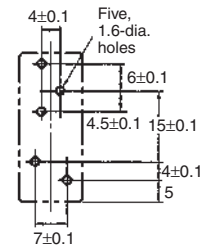
P2R-057P (1-pole)



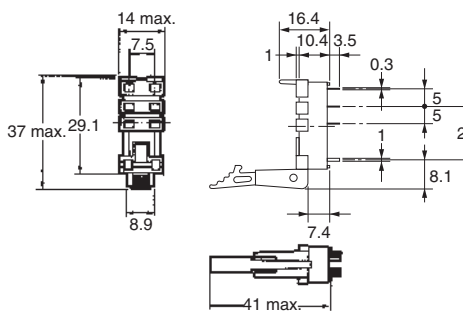
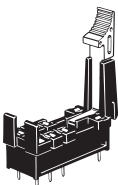
Terminal Arrangement (Bottom View)



Mounting Holes



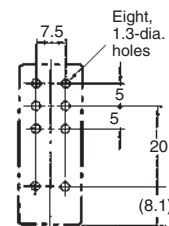
P2R-087P (2-pole)



Terminal Arrangement (Bottom View)



Mounting Holes



Mounting Height of Relay with Back-connecting Sockets

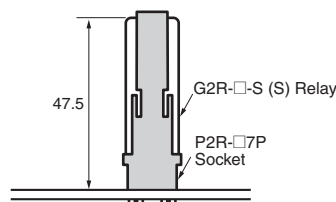
P2R-□P



P2R-□A

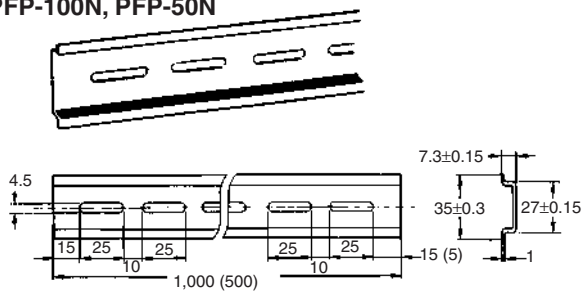


P2R-□7P

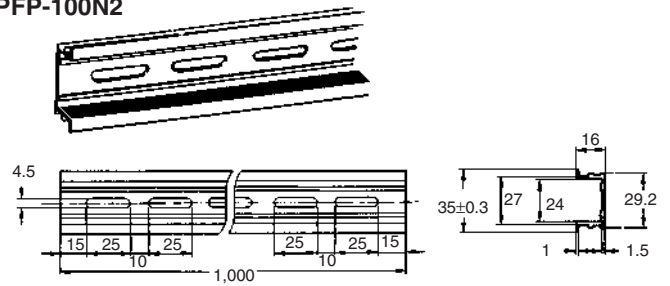


Mounting Tracks

PFP-100N, PFP-50N



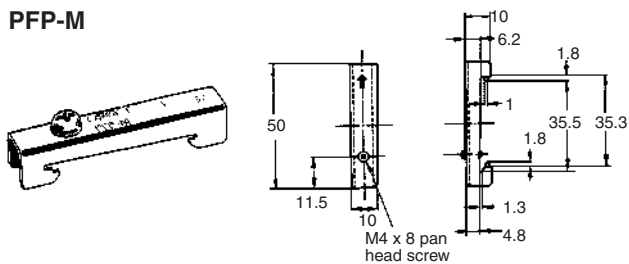
PFP-100N2



It is recommended to use a panel 1.6 to 2.0 mm thick.

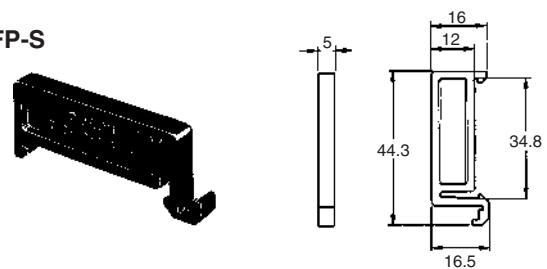
End Plate

PFP-M



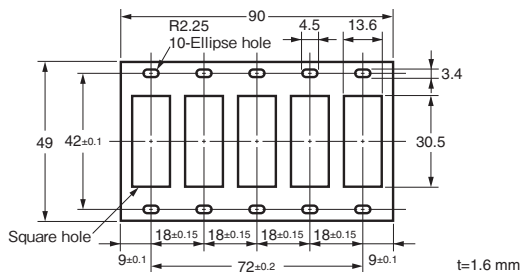
Spacer

PFP-S



Mounting Plate

P2R-P



Safety Precautions

Be sure to read the *Common Precautions for All Relay* in the website at the following URL:

<http://www.ia.omron.com/>.

Refer to *Products Related to Common Sockets and DIN Tracks* for precautions on the applicable Sockets.

Refer to *PYF-□□-PU/P2RF-□□-PU* for precautions on Push-In Plus Terminal Block Sockets.

Warning Indications



CAUTION

Indicates a potentially hazardous situation which, if not avoided, may result in minor or moderate injury or in property damage.



Cation

- Do not use the test button for any purpose other than testing. Be sure not to touch the test button accidentally as this will turn the contacts ON. Before using the test button, confirm that circuits, the load, and any other connected item will operate safely.
- Check that the test button is released before turning ON relay circuits.
- If the test button is pulled out too forcefully, it may bypass the momentary testing position and go straight into the locked position.
- Use an insulated tool when you operate the test button.

Terms and Conditions Agreement

Read and understand this catalog.

Please read and understand this catalog before purchasing the products. Please consult your OMRON representative if you have any questions or comments.

Warranties.

(a) Exclusive Warranty. Omron's exclusive warranty is that the Products will be free from defects in materials and workmanship for a period of twelve months from the date of sale by Omron (or such other period expressed in writing by Omron). Omron disclaims all other warranties, express or implied.

(b) Limitations. OMRON MAKES NO WARRANTY OR REPRESENTATION, EXPRESS OR IMPLIED, ABOUT NON-INFRINGEMENT, MERCHANTABILITY OR FITNESS FOR A PARTICULAR PURPOSE OF THE PRODUCTS. BUYER ACKNOWLEDGES THAT IT ALONE HAS DETERMINED THAT THE PRODUCTS WILL SUITABLY MEET THE REQUIREMENTS OF THEIR INTENDED USE.

Omron further disclaims all warranties and responsibility of any type for claims or expenses based on infringement by the Products or otherwise of any intellectual property right. (c) Buyer Remedy. Omron's sole obligation hereunder shall be, at Omron's election, to (i) replace (in the form originally shipped with Buyer responsible for labor charges for removal or replacement thereof) the non-complying Product, (ii) repair the non-complying Product, or (iii) repay or credit Buyer an amount equal to the purchase price of the non-complying Product; provided that in no event shall Omron be responsible for warranty, repair, indemnity or any other claims or expenses regarding the Products unless Omron's analysis confirms that the Products were properly handled, stored, installed and maintained and not subject to contamination, abuse, misuse or inappropriate modification. Return of any Products by Buyer must be approved in writing by Omron before shipment. Omron Companies shall not be liable for the suitability or unsuitability or the results from the use of Products in combination with any electrical or electronic components, circuits, system assemblies or any other materials or substances or environments. Any advice, recommendations or information given orally or in writing, are not to be construed as an amendment or addition to the above warranty.

See <http://www.omron.com/global/> or contact your Omron representative for published information.

Limitation on Liability: Etc.

OMRON COMPANIES SHALL NOT BE LIABLE FOR SPECIAL, INDIRECT, INCIDENTAL, OR CONSEQUENTIAL DAMAGES, LOSS OF PROFITS OR PRODUCTION OR COMMERCIAL LOSS IN ANY WAY CONNECTED WITH THE PRODUCTS, WHETHER SUCH CLAIM IS BASED IN CONTRACT, WARRANTY, NEGLIGENCE OR STRICT LIABILITY.

Further, in no event shall liability of Omron Companies exceed the individual price of the Product on which liability is asserted.

Suitability of Use.

Omron Companies shall not be responsible for conformity with any standards, codes or regulations which apply to the combination of the Product in the Buyer's application or use of the Product. At Buyer's request, Omron will provide applicable third party certification documents identifying ratings and limitations of use which apply to the Product. This information by itself is not sufficient for a complete determination of the suitability of the Product in combination with the end product, machine, system, or other application or use. Buyer shall be solely responsible for determining appropriateness of the particular Product with respect to Buyer's application, product or system. Buyer shall take application responsibility in all cases.

NEVER USE THE PRODUCT FOR AN APPLICATION INVOLVING SERIOUS RISK TO LIFE OR PROPERTY OR IN LARGE QUANTITIES WITHOUT ENSURING THAT THE SYSTEM AS A WHOLE HAS BEEN DESIGNED TO ADDRESS THE RISKS, AND THAT THE OMRON PRODUCT(S) IS PROPERLY RATED AND INSTALLED FOR THE INTENDED USE WITHIN THE OVERALL EQUIPMENT OR SYSTEM.

Programmable Products.

Omron Companies shall not be responsible for the user's programming of a programmable Product, or any consequence thereof.

Performance Data.

Data presented in Omron Company websites, catalogs and other materials is provided as a guide for the user in determining suitability and does not constitute a warranty. It may represent the result of Omron's test conditions, and the user must correlate it to actual application requirements. Actual performance is subject to the Omron's Warranty and Limitations of Liability.

Change in Specifications.

Product specifications and accessories may be changed at any time based on improvements and other reasons. It is our practice to change part numbers when published ratings or features are changed, or when significant construction changes are made. However, some specifications of the Product may be changed without any notice. When in doubt, special part numbers may be assigned to fix or establish key specifications for your application. Please consult with your Omron's representative at any time to confirm actual specifications of purchased Product.

Errors and Omissions.

Information presented by Omron Companies has been checked and is believed to be accurate; however, no responsibility is assumed for clerical, typographical or proofreading errors or omissions.