

Built-in Amplifier Photoelectric Sensor (Medium Size)

# E3S-AR21 5M



Image

Medium Photoelectric Sensor With Built-in Amplifier, Retro-reflective with M.S.R. function, Horizontal, Sensing distance: 2 m (Using the E39-R1 Reflector), NPN, Timer/Self diagnosis function, External Diagnosis function, Turbo function, Pre-wired model, 5 m

Sensing method	Retro-reflective with M.S.R. function
Sensing distance	When using the E39-R1: 0.1 to 2 m
Light source	Red LED (660 nm)
Connection method	Pre-wired models

Ratings/Performance

As of July 25, 2024

Shape	Square type
Sensing method	Retro-reflective with M.S.R. function
Sensing distance	When using the E39-R1: 0.1 to 2 m
Standard sensing object	Opaque: 75 mm dia. min.
Directional angle	3 to 10 °
Light source	Red LED (660 nm)
Power supply voltage	10 to 30 VDC ripple (p-p) 10% included
Current consumption	30 mA max. Note: (plus approx. 15 mA with turbo function)
Control output	NPN open collector 30 VDC max. 100 mA max. Residual voltage: 1 V max.
Operation mode	Light-ON/Dark-ON selectable
Protective circuit	Output short-circuit protection, Power supply reverse polarity protection
Response time	Operate or reset: 0.5 ms max.
Sensitivity setting	2-turn endless adjustment (with indicator)
Self-diagnostic output	50 mA max., 30 VDC (residual voltage: 1 V max.), open collector
Timer function	OFF-delay 0 to 100 ms
Ambient illuminance	Incandescent lamp: 5,000 lx max. Sunlight: 10,000 lx max.
Ambient temperature range (Operating)	-25 to 55 °C (with no freezing or condensation)
Ambient temperature range (Storage)	-40 to 70 °C (with no freezing or condensation)

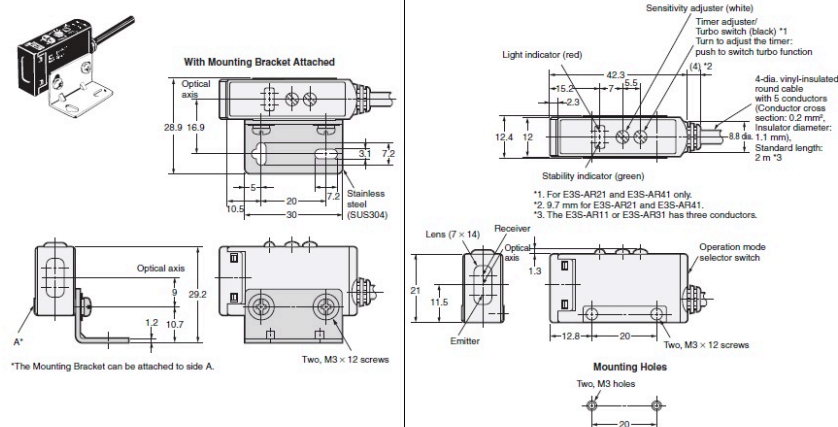
<b>Ambient humidity range (Operating)</b>	35 to 85 % (with no condensation)
<b>Ambient humidity range (Strage)</b>	35 to 95 % (with no condensation)
<b>Insulation resistance</b>	20 MΩ min. (500 VDC megger)
<b>Dielectric strength</b>	1000 VAC 50/60 Hz 1 min
<b>Vibration resistance</b>	Destruction: 10 to 55 Hz, 1.5 mm double amplitude each in X, Y, and Z directions for 2 h
<b>Shock resistance</b>	Destruction: 500 m/s <sup>2</sup> 3 times each in X, Y and Z directions
<b>Degree of protection</b>	IEC: IP67 NEMA 4X (indoors only)
<b>Connection method</b>	Pre-wired models (Cable length 5 m)
<b>Indicator</b>	Light indicator (red), Stability indicator (green)
<b>Accessories</b>	Instruction manual, Mounting bracket, Sensitivity adjustment driver, Sensitivity adjusting knob, Reflector
<b>Material</b>	Case: Polybutylene terephthalate (PBT) Lens: Denatured Polyarylate Mounting Bracket: Stainless steel (SUS304)

As of July 25, 2024

### Dimensions

As of July 25, 2024

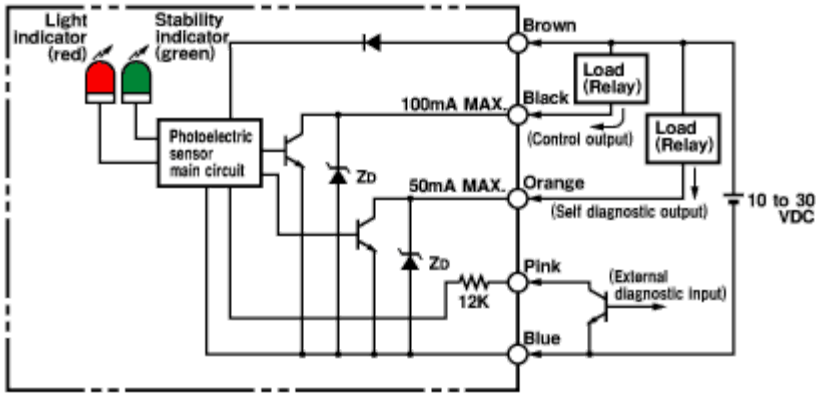
E3S-AR11/21/31/41



As of July 25, 2024

### Output circuit diagram

As of July 25, 2024



As of July 25, 2024

Timing chart

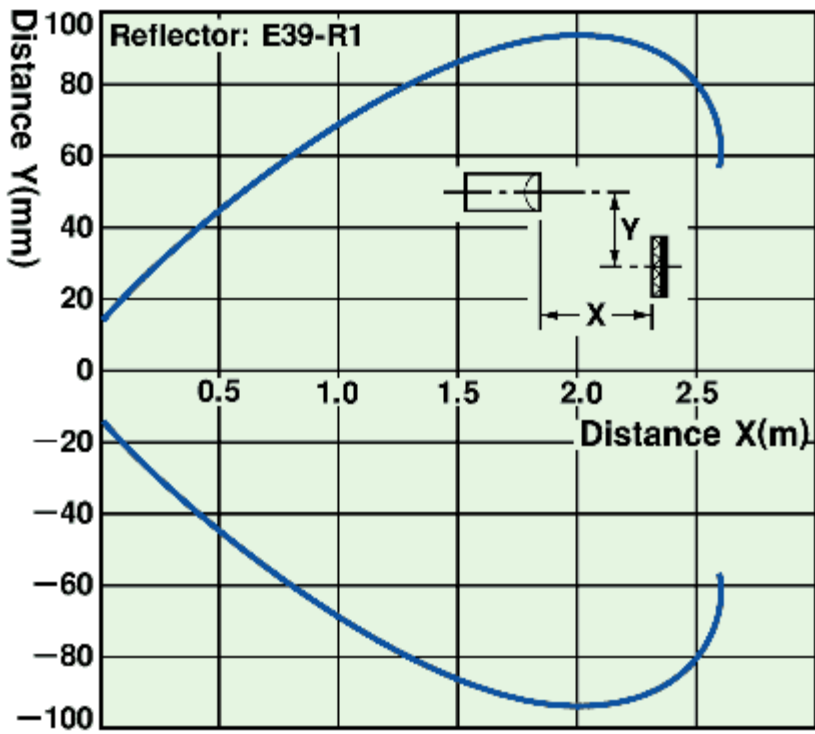
As of July 25, 2024

Operation mode	Timing chart	Mode switch
Light ON	<p>Incident light: </p> <p>No incident light: </p> <p>Light Indicator (red): ON  OFF </p> <p>Output transistor: ON  OFF </p> <p>Load (Relay): Operate  Reset </p> <p>{Between brown(1) and black(4)}</p> <p>T : OFF delay timer (0~100ms)</p>	L side (LIGHT ON)
Dark ON	<p>Incident light: </p> <p>No incident light: </p> <p>Light indicator (red): ON  OFF </p> <p>Output transistor: ON  OFF </p> <p>Load (Relay): Operate  Reset </p> <p>{Between brown(1) and black(4)}</p> <p>T : OFF delay timer (0~100ms)</p>	D side (DARK ON)

As of July 25, 2024

Parallel operating range

As of July 25, 2024

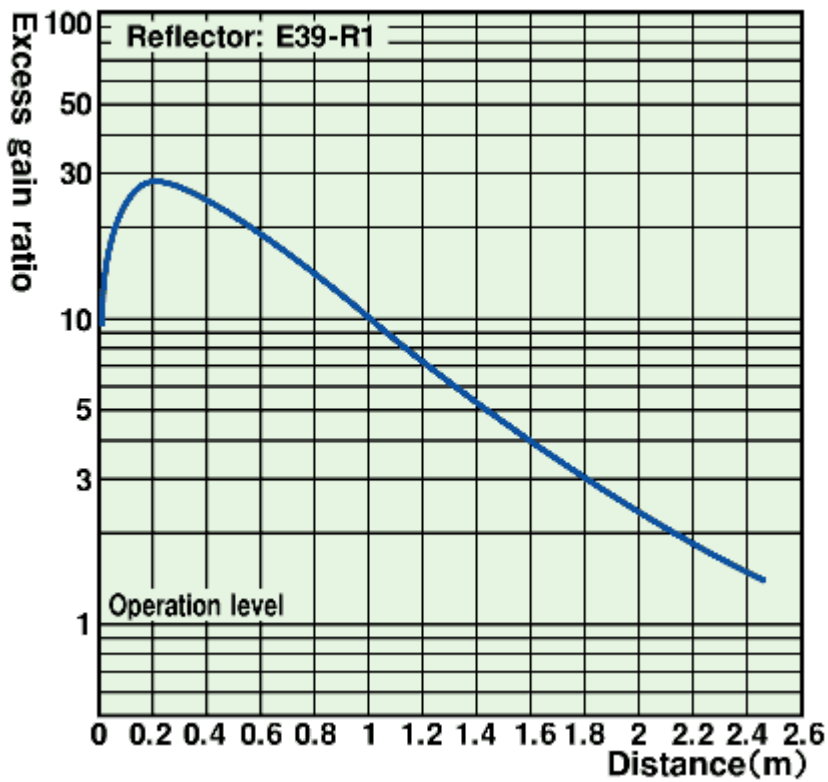


As of July 25, 2024

Setting distance

As of July 25, 2024

Excess gain ratio vs. setting distance



As of July 25, 2024

