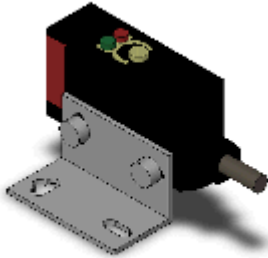


Built-in Amplifier Photoelectric Sensor (Medium Size)

E3S-AD12 2M

Medium Photoelectric Sensor With Built-in Amplifier, Diffuse-reflective, Horizontal, Sensing distance: 700 mm, NPN, Pre-wired model, 2 m



Image

Sensing method	Diffuse-reflective
Sensing distance	White paper 200 x 200 mm: 700 mm
Light source	Infrared LED (850 nm)
Connection method	Pre-wired models

Ratings/Performance

As of July 25, 2024

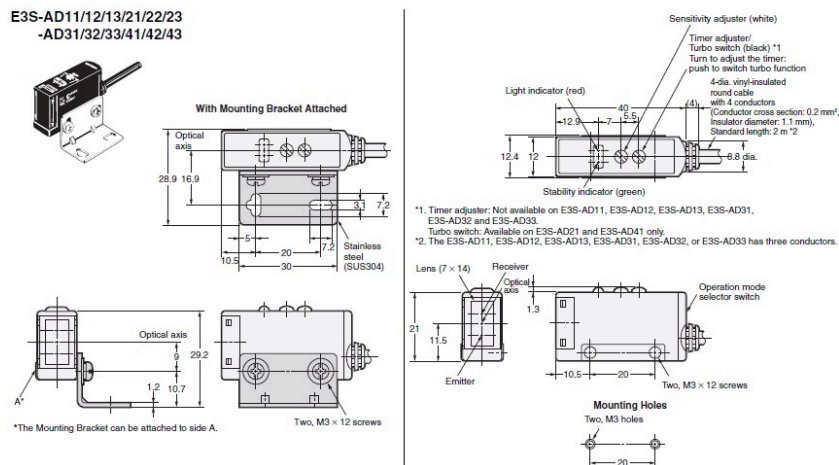
Shape	Square type
Sensing method	Diffuse-reflective
Sensing distance	White paper 200 x 200 mm: 700 mm
Differential distance	20% max. of sensing distance
Light source	Infrared LED (850 nm)
Power supply voltage	10 to 30 VDC ripple (p-p) 10% included
Current consumption	35 mA max.
Control output	NPN open collector 30 VDC max. 100 mA max. Residual voltage: 1 V max.
Operation mode	Light-ON/Dark-ON selectable
Protective circuit	Output short-circuit protection, Power supply reverse polarity protection
Response time	Operate or reset: 0.5 ms max.
Sensitivity setting	2-turn endless adjustment (with indicator)
Ambient illuminance	Incandescent lamp: 5,000 lx max. Sunlight: 10,000 lx max.
Ambient temperature range (Operating)	-25 to 55 °C (with no freezing or condensation)
Ambient temperature range (Storage)	-40 to 70 °C (with no freezing or condensation)
Ambient humidity range (Operating)	35 to 85 % (with no condensation)
Ambient humidity range (Storage)	35 to 95 % (with no condensation)
Insulation resistance	20 MΩ min. (500 VDC megger)
Dielectric strength	1000 VAC 50/60 Hz 1 min

Vibration resistance	Destruction: 10 to 55 Hz, 1.5 mm double amplitude each in X, Y, and Z directions for 2 h
Shock resistance	Destruction: 500 m/s ² 3 times each in X, Y and Z directions
Degree of protection	IEC: IP67 NEMA 4X (indoors only)
Connection method	Pre-wired models (Cable length 2 m)
Indicator	Light indicator (red), Stability indicator (green)
Weight	Package: Approx. 90 g
Accessories	Instruction manual, Mounting bracket, Sensitivity adjustment driver, Sensitivity adjusting knob
Material	Case: Polybutylene terephthalate (PBT) Lens: Denatured Polyarylate Mounting Bracket: Stainless steel (SUS304)

As of July 25, 2024

Dimensions

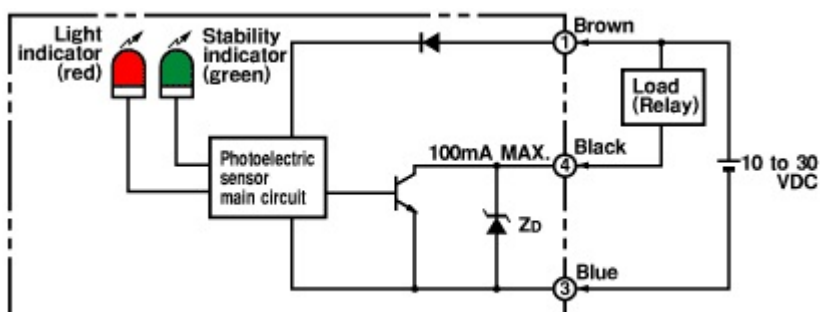
As of July 25, 2024



As of July 25, 2024

Output circuit diagram

As of July 25, 2024



As of July 25, 2024

Timing chart

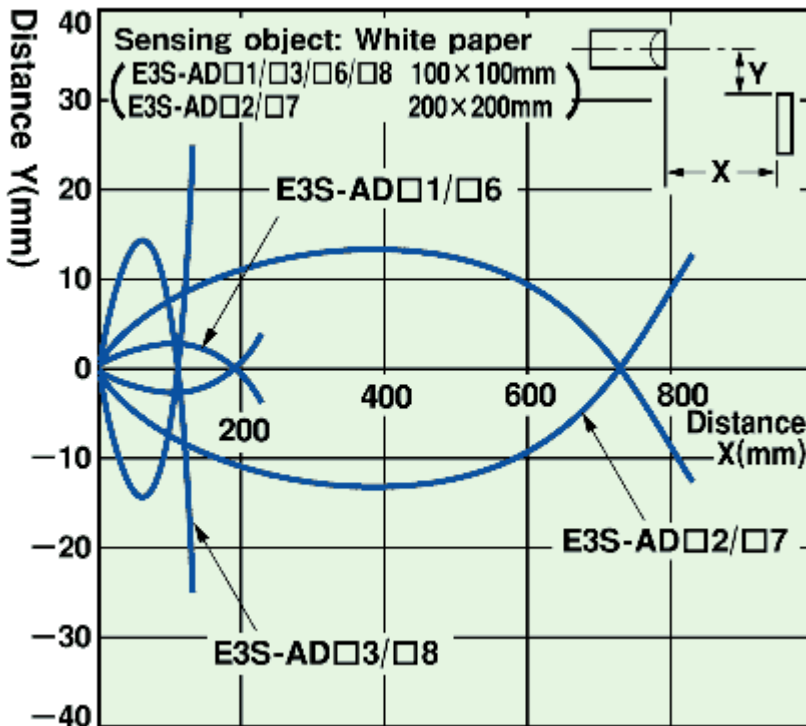
As of July 25, 2024

Operation mode	Timing chart	Mode switch
Light ON	<p>Incident light: [ON pulse]</p> <p>No incident light: [OFF]</p> <p>Light indicator (red): ON [ON pulse], OFF [OFF]</p> <p>Output transistor: ON [ON pulse], OFF [OFF]</p> <p>Load (Relay): Operate [ON pulse], Reset [OFF]</p> <p>(Between brown(1) and black(4))</p>	L side (LIGHT ON)
Dark ON	<p>Incident light: [ON pulse], [OFF], [ON pulse]</p> <p>No incident light: [OFF]</p> <p>Light indicator (red): ON [ON pulse], OFF [OFF], ON [ON pulse]</p> <p>Output transistor: ON [ON pulse], OFF [OFF]</p> <p>Load (Relay): Operate [ON pulse], Reset [OFF]</p> <p>(Between brown(1) and black(4))</p>	D side (DARK ON)

As of July 25, 2024

Operating range

As of July 25, 2024

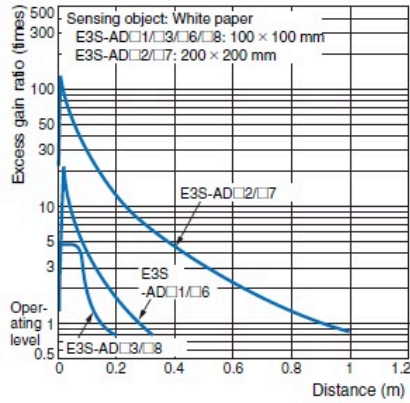


As of July 25, 2024

Excess gain ratio vs. setting distance

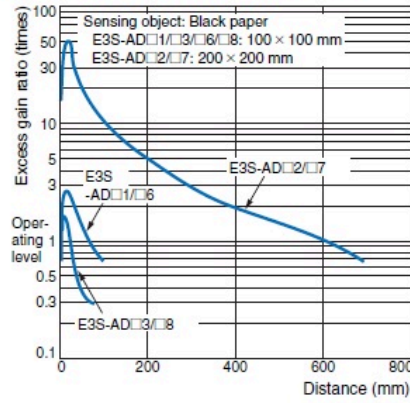
Diffuse-reflective Sensor

E3S-AD□1/AD□2/AD□3/AD□6/AD□7/
AD□8 (Detection of White Paper)



Diffuse-reflective Sensor

E3S-AD□1/AD□2/AD□3/AD□6/AD□7/
AD□8 (Detection of Black Paper)



Sensing object size vs. setting distance

