



**SERIES 71 ALUMINUM EXTRACTOR**

**MATERIALS AND FINISH**

**Material:**

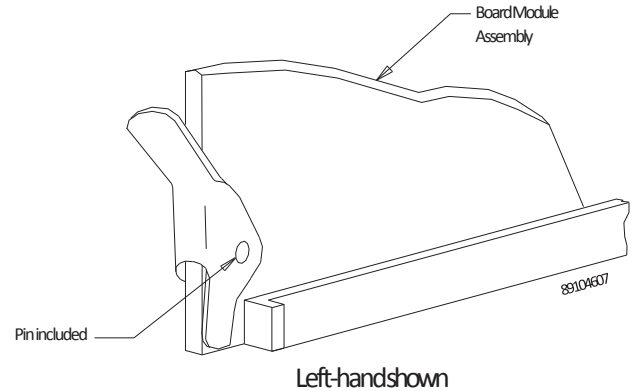
6061-T6 Aluminum alloy per QQ-A-250/8

**Finish:**

Customer specified

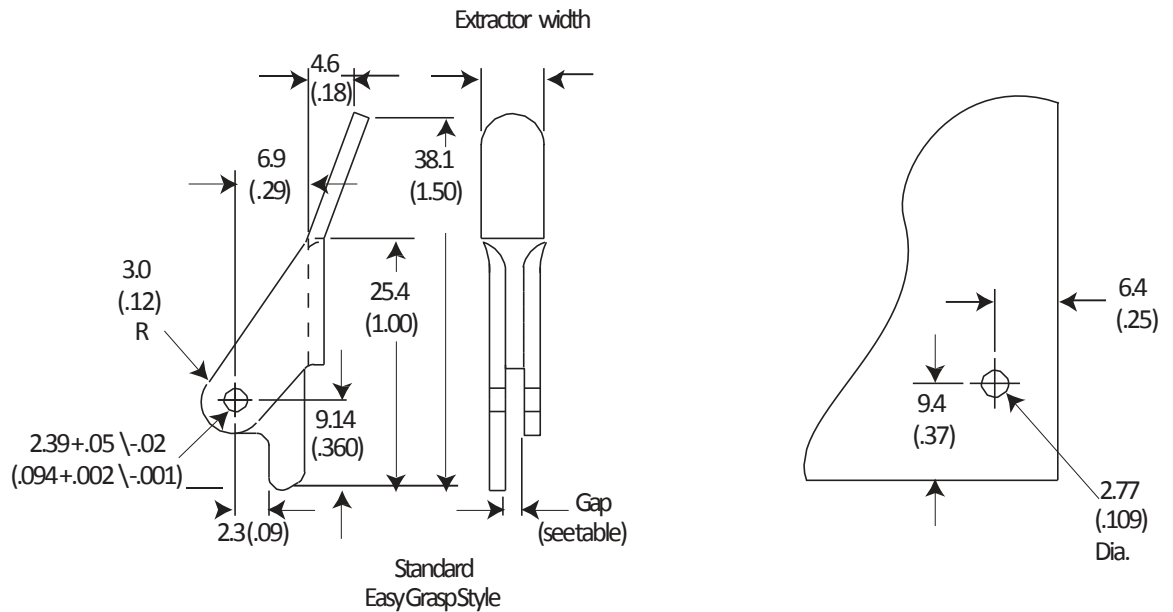
**WEIGHT**

Aluminum: .05 oz. (1.42 g)

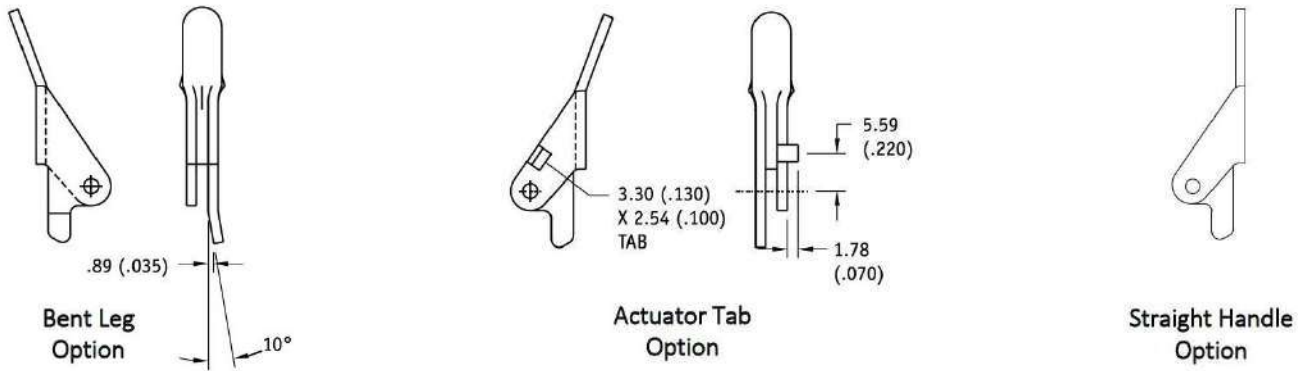


**APPLICATION DATA**

Two (2) extractors are recommended per board.  
 (One "L" and one "R" per printed circuit board).  
 Provides extraction travel of 11.4 (.45) minimum,  
 with a mechanical advantage of 4.5:1



# SERIES 71 ALUMINUM EXTRACTOR



The bent leg option is required when using the extractor with Lok Tainers for PCB retention within sheet metal (non-cold wall) applications. Additionally, if using a lever actuated Lok Tainer, the actuator tab will work in conjunction with the lever to release the PCB.

Part Number Code	
Series 71 Extractor	
<b>P S 71 T6 - 2 - L - A - CC - BL - E</b>	
<b>Assembly Pin</b>	
Pre assembled _____ <b>P</b>	
Loose _____ <b>[blank]</b>	
<b>Handle</b>	
Straight _____ <b>S</b>	
Bent (easy grip) _____ <b>[blank]</b>	
<b>Material</b>	
6061 Aluminum Alloy _____ <b>T6</b>	
Or select from Materials Table	
<b>Board Thickness</b>	
1.6 (.063) _____ <b>2</b>	
Or choose from the Board Thickness Table	
<b>Orientation</b>	
Left _____ <b>L</b>	
Right _____ <b>R</b>	
<b>Actuator Tab option</b>	
With actuator tab (for use with Lever Lok Tainers) _____ <b>A</b>	
No tab _____ <b>[blank]</b>	
<b>Finish</b>	
Clear chem film _____ <b>CC</b>	
Or choose from Finish Table	
<b>Leg Option</b>	
Bent (for compatibility with Lok Tainers) _____ <b>BL</b>	
No bent leg _____ <b>[blank]</b>	
<b>ESD Symbol</b>	
ESD silkscreen _____ <b>E</b>	
No ESD symbol _____ <b>[blank]</b>	

### MATERIALS TABLE

DASH #	MATERIAL
[blank]	.063 ALUMINUM ALLOY 5052-H32 PER QQ-A-250/8
T6	.063 ALUMINUM ALLOY 6061-T6

### BOARD THICKNESS TABLE

DASH #	THICKNESS	A	MAX
-1	0.787 (.031)	6.35 (.25)	6.60 (.26)
-2	1.600 (.063)	6.35 (.25)	7.37 (.29)
-3	2.390 (.094)	6.35 (.25)	7.37 (.29)
-4	3.180 (.125)	7.37 (.29)	8.38 (.33)
-5	3.960 (.156)	7.37 (.29)	8.38 (.33)

### FINISH TABLE

DASH #	FINISH	COLOR
-1	ANODIZE PER MIL-A-8625	RED
-2	ANODIZE PER MIL-A-8625	BLUE
-3	ANODIZE PER MIL-A-8625	GREEN
-4	ANODIZE PER MIL-A-8625	YELLOW
-5	ANODIZE PER MIL-A-8625	BLACK
-6	ANODIZE PER MIL-A-8625	ORANGE
-7	ANODIZE PER MIL-A-8625	PURPLE
-8	ANODIZE PER MIL-A-8625	GRAY
-9	ANODIZE PER MIL-A-8625	BROWN
-10	ANODIZE PER MIL-A-8625	CLEAR
-CC	CHEM FILM PER MIL-C-5541	CLEAR
[blank]	CHEM FILM PER MIL-C-5541	GOLD



**SCHROFF**

nVent may modify standard parts without prior notice to or approval from customers. These modifications may change product appearance, but will not have a detrimental effect on form, fit or function. ©2018 nVent. All nVent marks and logos are owned or licensed by nVent Services GmbH or its affiliates. All other trademarks are the property of their respective owners. nVent reserves the right to change specifications without notice.