



SERIES 71 ALUMINUM EXTRACTOR

MATERIALS AND FINISH

Material:

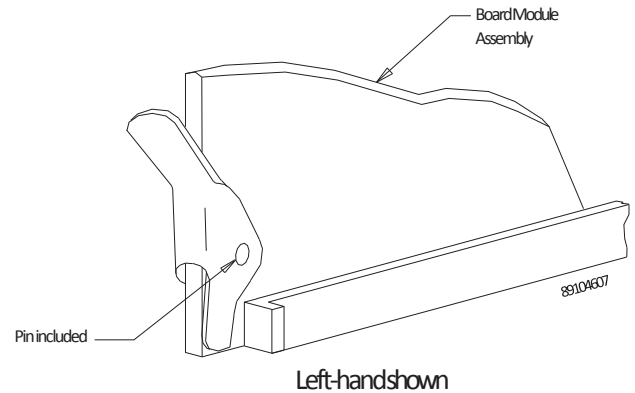
6061-T6 Aluminum alloy per QQ-A-250/8

Finish:

Customer specified

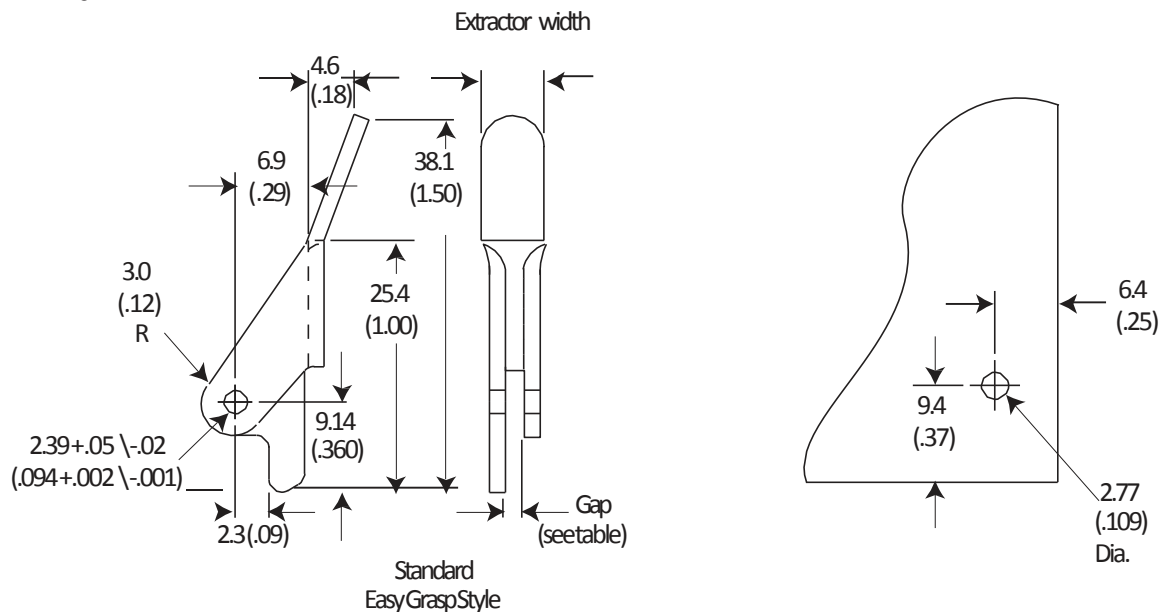
WEIGHT

Aluminum: .05 oz. (1.42 g)

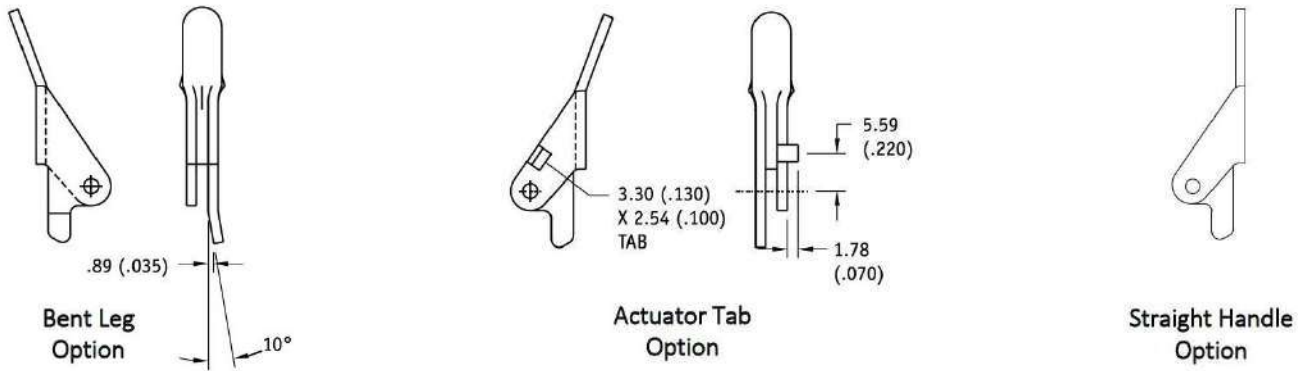


APPLICATION DATA

Two (2) extractors are recommended per board.
 (One "L" and one "R" per printed circuit board).
 Provides extraction travel of 11.4 (.45) minimum,
 with a mechanical advantage of 4.5:1



SERIES 71 ALUMINUM EXTRACTOR



The bent leg option is required when using the extractor with Lok Tainers for PCB retention within sheet metal (non-cold wall) applications. Additionally, if using a lever actuated Lok Tainer, the actuator tab will work in conjunction with the lever to release the PCB.

Part Number Code	
Series 71 Extractor	
P S 71 T6 - 2 - L - A - CC - BL - E	
Assembly Pin	
Pre assembled _____ P	
Loose _____ [blank]	
Handle	
Straight _____ S	
Bent (easy grip) _____ [blank]	
Material	
6061 Aluminum Alloy _____ T6	
Or select from Materials Table	
Board Thickness	
1.6 (.063) _____ 2	
Or choose from the Board Thickness Table	
Orientation	
Left _____ L	
Right _____ R	
Actuator Tab option	
With actuator tab (for use with Lever Lok Tainers) _____ A	
No tab _____ [blank]	
Finish	
Clear chem film _____ CC	
Or choose from Finish Table	
Leg Option	
Bent (for compatibility with Lok Tainers) _____ BL	
No bent leg _____ [blank]	
ESD Symbol	
ESD silkscreen _____ E	
No ESD symbol _____ [blank]	

MATERIALS TABLE

DASH #	MATERIAL
[blank]	.063 ALUMINUM ALLOY 5052-H32 PER QQ-A-250/8
T6	.063 ALUMINUM ALLOY 6061-T6

BOARD THICKNESS TABLE

DASH #	THICKNESS	A	MAX
-1	0.787 (.031)	6.35 (.25)	6.60 (.26)
-2	1.600 (.063)	6.35 (.25)	7.37 (.29)
-3	2.390 (.094)	6.35 (.25)	7.37 (.29)
-4	3.180 (.125)	7.37 (.29)	8.38 (.33)
-5	3.960 (.156)	7.37 (.29)	8.38 (.33)

FINISH TABLE

DASH #	FINISH	COLOR
-1	ANODIZE PER MIL-A-8625	RED
-2	ANODIZE PER MIL-A-8625	BLUE
-3	ANODIZE PER MIL-A-8625	GREEN
-4	ANODIZE PER MIL-A-8625	YELLOW
-5	ANODIZE PER MIL-A-8625	BLACK
-6	ANODIZE PER MIL-A-8625	ORANGE
-7	ANODIZE PER MIL-A-8625	PURPLE
-8	ANODIZE PER MIL-A-8625	GRAY
-9	ANODIZE PER MIL-A-8625	BROWN
-10	ANODIZE PER MIL-A-8625	CLEAR
-CC	CHEM FILM PER MIL-C-5541	CLEAR
[blank]	CHEM FILM PER MIL-C-5541	GOLD



SCHROFF