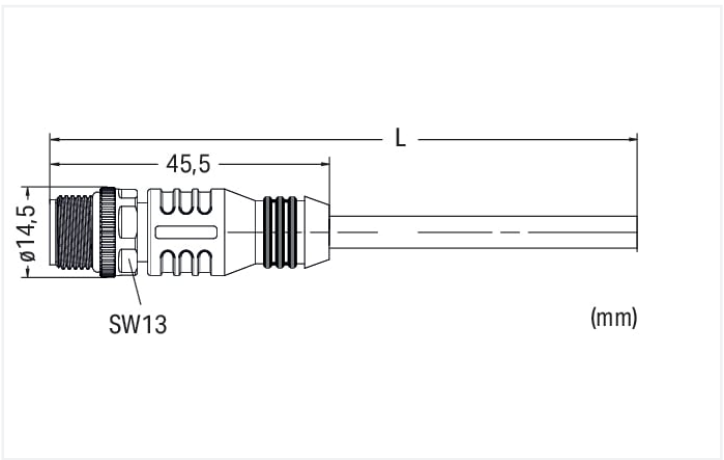


Similar to illustration

Pin 1 ... 5: 0.34 mm<sup>2</sup>

- 1 brown
- 2 white
- 3 blue
- 4 black
- 5 gray



Technical data

General information	
Operating voltage	300 VDC
Protection type	IP67
Ambient (operating) temperature (static)	-40 ... +80 °C
Ambient (operating) temperature (dynamic)	-20 ... +60 °C

Cable	
Cable length	1.5 m
Sheathed cable color	black
Sheathed cable diameter	4.8 mm

Connector	
Connection type	M12 plug - free end
Pole number	5
Cable connection direction to mating direction	0 °
Connector interface coding (cable/adapter) 1 1	A-coded





Commercial data	
PU (SPU)	1 pcs
Country of origin	CN
GTIN	4066966489767
Customs tariff number	85444995900

Environmental Product Compliance	
RoHS Compliance Status	Compliant,No Exemption

Downloads

Environmental Product Compliance

Compliance Search

Environmental Product Compliance  
756-6311/050-015

↓