

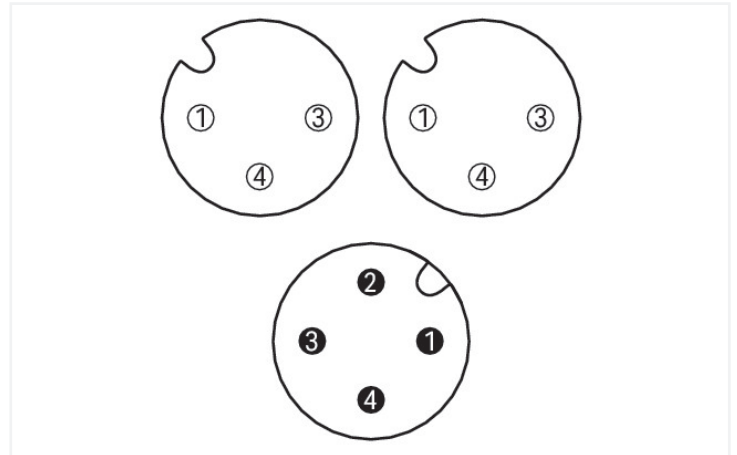
Data Sheet | Item Number: 756-5517/040-020

Sensor/Actuator cable; 2xM12 socket; angled; M12A plug; straight; 4-pole; Length: 2 m

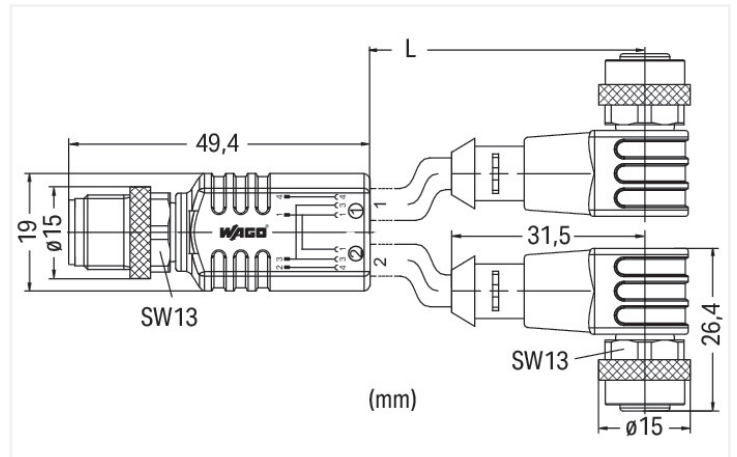
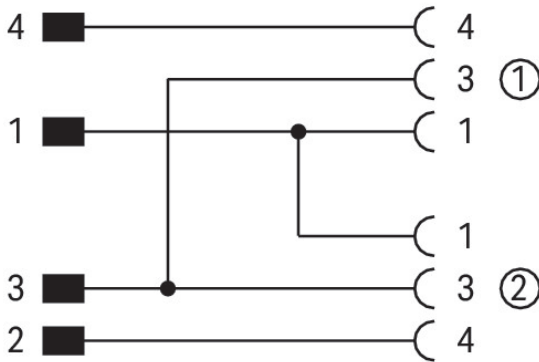
<https://www.wago.com/756-5517/040-020>



Similar to illustration



Pin 1 ... 4: 0,34 mm²



Short description:

- PUR, halogen-free
- Suitable for drag chains
- High resistance to microbes, hydrolysis, oil, chemicals and UV radiation
- High chemical resistance
- Cable used: UL listed

Technical data

General information

Operating voltage	250 VAC/DC
Operating current	4 A
Rated surge voltage	2.5 kV
Insulation resistance	>10 ⁹ Ω
Contact resistance	10 mΩ
Conductor resistance	≤ 60 Ω/km
Pollution degree	3 per VDE 0110
Protection type	IP67
Ambient (operating) temperature (static)	-50 ... +90 °C
Ambient (operating) temperature (dynamic)	-25 ... +90 °C

Drag chain compatible

Bending radius	10 x cable diameter (min.)
Bending cycles	2 million
Acceleration (min.)	5 m/s ²
Travel speed (max.)	3.33 m/s
Travel path (horizontal) max.	5 m
Travel path (vertical) max.	2 m
Torsional capacity	180 °/m

Cable	
Cable length	2 m
Type code	LiF9YH-11YH or LiF9YC11YFHF
Conductor configuration	Bare copper wire, fine-stranded (42 x 0.1 mm)
Conductor insulation	PP9Y (halogen-free)
Sheath material	Polyurethane (PUR), halogen-free per DIN VDE 0472 Part 815, flame resistant per IEC 332-2, self-extinguishing
Sheathed cable color	black
Sheathed cable diameter	4.5 ... 4.9 mm

Connector	
Connection type	M12 Socket; M12 Socket - M12 plug
Pole number	4
Cable connection direction to mating direction	90 °
Cable connection direction to mating direction (2)	0 °
Connector interface coding (cable/adapter) 1 1	A-coded
Connector interface coding (cable/adapter) 1 2	A-coded
Connector interface coding (cable/adapter) 2 1	A-coded
Housing material	Polyurethane (PUR)
Contact material	CuSn
Tightening torque	1 Nm

Commercial data

eCl@ss 10.0	27-06-03-11
eCl@ss 9.0	27-06-03-11
ETIM 8.0	EC001855
ETIM 7.0	EC001855
PU (SPU)	10 (1) pcs
Packaging type	Box
Country of origin	DE
GTIN	4044918994897
Customs tariff number	85444290900

Environmental Product Compliance

CAS-No.	7439-92-1
REACH Candidate List Substance	Lead
RoHS Compliance Status	Compliant,With Exemption
RoHS Exemption	6(c)
SCIP notification number (Austria)	ef5a2abd-a9ce-432a-be5c-e996af16c6f1
SCIP notification number (Belgium)	cd4df83a-6f8e-4c25-9465-08b3da9f9f1a
SCIP notification number (Bulgaria)	72f74441-5102-4f1d-b91b-29351577ec52
SCIP notification number (Czech Republic)	209d3ef9-29c8-4d35-9545-2da924a5fd46
SCIP notification number (Denmark)	70781f52-3afb-4eaa-8a8b-a37a53f71175
SCIP notification number (Finland)	34e810b3-8beb-46f1-997e-374d6bbcbca31
SCIP notification number (France)	c8a41a04-6861-406a-9f41-ccfb0f6e08b8
SCIP notification number (Germany)	ae088562-9e90-42af-907f-01f2b13e80f6
SCIP notification number (Hungary)	77b8f843-f9b7-4788-b4fe-be6451a7c887
SCIP notification number (Italy)	3093c5b4-5722-4443-bcbe-c768e086d59b
SCIP notification number (Netherlands)	aecf892d-cab5-4904-9151-6d91ff468547
SCIP notification number (Poland)	78602f9d-192a-4b8f-8141-5db999ea5b80
SCIP notification number (Romania)	aab76e9b-6678-4b6b-bbf7-b1fe6e3e3661
SCIP notification number (Sweden)	34fcc9f4-6555-4ec2-913f-b378dd4db726

Downloads

Environmental Product Compliance

Compliance Search

Environmental Product Compliance
756-5517/040-020



Documentation

System Description

IP67 Cables and Plug-gable Connectors

pdf
157.80 KB



Bid Text

756-5517/040-020

19.02.2019

xml
3.14 KB



756-5517/040-020

20.09.2017

doc
26.50 KB



CAD/CAE-Data

CAE data

WSCAD Universe
756-5517/040-020

