

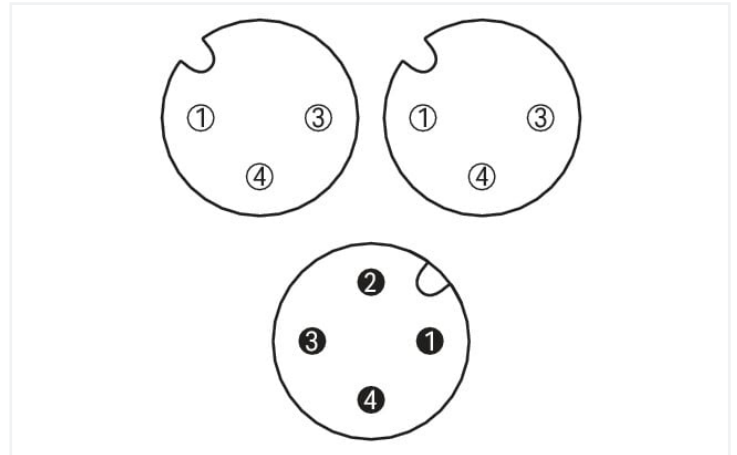
Data Sheet | Item Number: 756-5517/040-010

Sensor/Actuator cable; 2xM12 socket; angled; M12A plug; straight; 4-pole; Length: 1 m

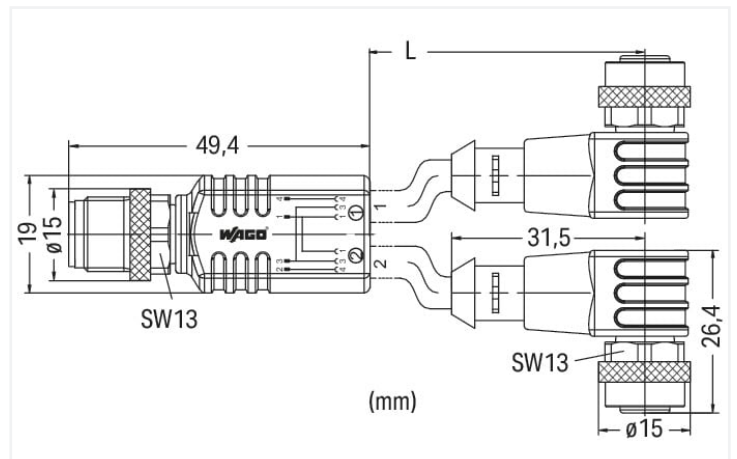
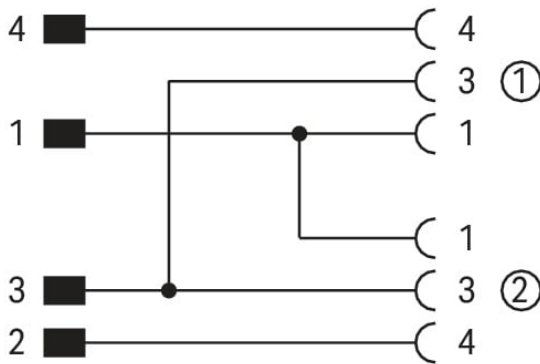
<https://www.wago.com/756-5517/040-010>



Similar to illustration



Pin 1 ... 4: 0,34 mm²



Short description:

- PUR, halogen-free
- Suitable for drag chains
- High resistance to microbes, hydrolysis, oil, chemicals and UV radiation
- High chemical resistance
- Cable used: UL listed

Technical data

General information		Drag chain compatible	
Operating voltage	250 VAC/DC	Bending radius	10 x cable diameter (min.)
Operating current	4 A	Bending cycles	2 million
Rated surge voltage	2.5 kV	Acceleration (min.)	5 m/s ²
Insulation resistance	>10 ⁹ Ω	Travel speed (max.)	3.33 m/s
Contact resistance	10 mΩ	Travel path (horizontal) max.	5 m
Conductor resistance	≤ 60 Ω/km	Travel path (vertical) max.	2 m
Pollution degree	3 per VDE 0110	Torsional capacity	180 °/m
Protection type	IP67		
Ambient (operating) temperature (static)	-50 ... +90 °C		
Ambient (operating) temperature (dynamic)	-25 ... +90 °C		

Cable	
Cable length	1 m
Type code	LiF9YH-11YH or LiF9YC11YFHF
Conductor configuration	Bare copper wire, fine-stranded (42 x 0.1 mm)
Conductor insulation	PP9Y (halogen-free)
Sheath material	Polyurethane (PUR), halogen-free per DIN VDE 0472 Part 815, flame resistant per IEC 332-2, self-extinguishing
Sheathed cable color	black
Sheathed cable diameter	4.5 ... 4.9 mm

Connector	
Connection type	M12 Socket; M12 Socket - M12 plug
Pole number	4
Cable connection direction to mating direction	90 °
Cable connection direction to mating direction (2)	0 °
Connector interface coding (cable/adapter) 1 1	A-coded
Connector interface coding (cable/adapter) 1 2	A-coded
Connector interface coding (cable/adapter) 2 1	A-coded
Housing material	Polyurethane (PUR)
Contact material	CuSn
Tightening torque	1 Nm

Commercial data

eCl@ss 10.0	27-06-03-11
eCl@ss 9.0	27-06-03-11
ETIM 8.0	EC001855
ETIM 7.0	EC001855
PU (SPU)	10 (1) pcs
Packaging type	Box
Country of origin	DE
GTIN	4044918994880
Customs tariff number	85444290900

Environmental Product Compliance

CAS-No.	7439-92-1
REACH Candidate List Substance	Lead
RoHS Compliance Status	Compliant,With Exemption
RoHS Exemption	6(c)
SCIP notification number (Austria)	67eb14c7-2268-43bd-a641-aa0f8ec9bbef
SCIP notification number (Belgium)	a8acbfa7-186d-4eb0-b475-cada003c95b4
SCIP notification number (Bulgaria)	3628e3bd-f104-48b0-8e81-7dd933129821
SCIP notification number (Czech Republic)	68ca1bf3-a487-45dc-99ed-72c7dc3bec2b
SCIP notification number (Denmark)	8f6f9350-d905-4560-a050-430829a2dc3a
SCIP notification number (Finland)	1e8cf518-41ee-43e8-b0c9-f39be5338045
SCIP notification number (France)	43a263f4-1276-4b7c-a435-fb6d3b3b9a9b
SCIP notification number (Germany)	2f24d9e8-8e80-4e7c-8d8f-c7199be950e8
SCIP notification number (Hungary)	1f2af183-0eda-4b73-9656-d2a687217b46
SCIP notification number (Italy)	e43d897f-ac1d-487b-bba2-83dff3b6c284
SCIP notification number (Netherlands)	f7d585f7-d8c9-45b1-85df-0995aecd3a55
SCIP notification number (Poland)	9f4d9830-392a-47b4-98a8-70d2a59fbe21
SCIP notification number (Romania)	6fb20af4-aa08-4782-8cf7-9aad980c5cdd
SCIP notification number (Sweden)	1478e29f-a616-468a-8da5-48c454f06453

Downloads

Environmental Product Compliance

Compliance Search

Environmental Product Compliance
756-5517/040-010



Documentation

System Description

IP67 Cables and Plug-gable Connectors

pdf
157.80 KB



Bid Text

756-5517/040-010

19.02.2019

xml
3.14 KB



756-5517/040-010

20.09.2017

doc
26.50 KB



CAD/CAE-Data

CAE data

WSCAD Universe
756-5517/040-010

