

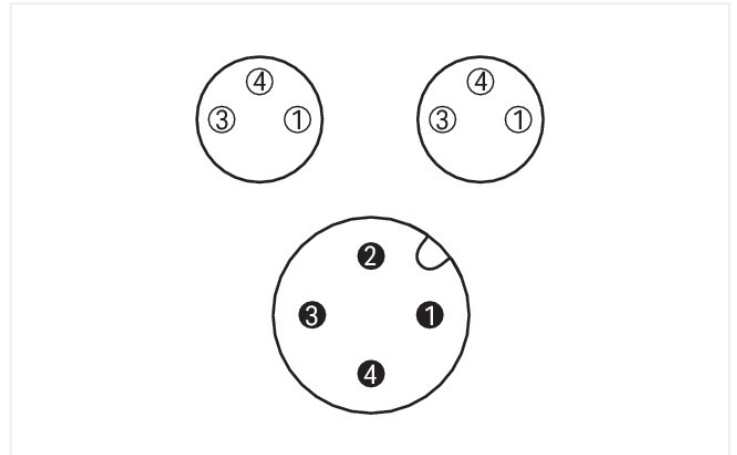
Data Sheet | Item Number: 756-5514/040-020

Sensor/Actuator cable; 2xM8 socket; angled; M12A plug; straight; 4-pole; Length: 2 m

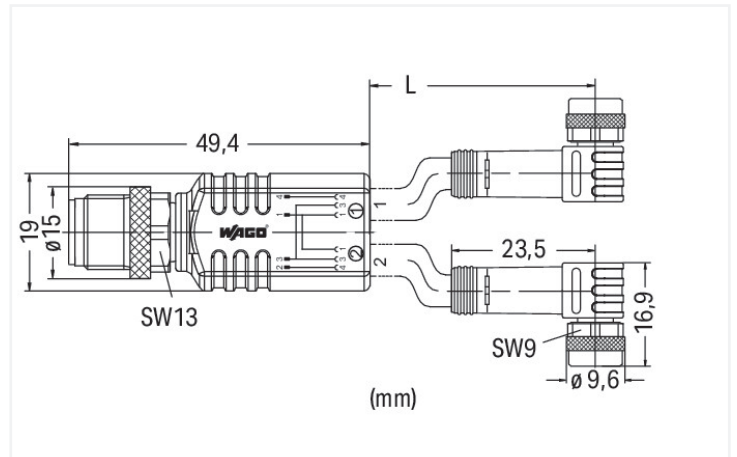
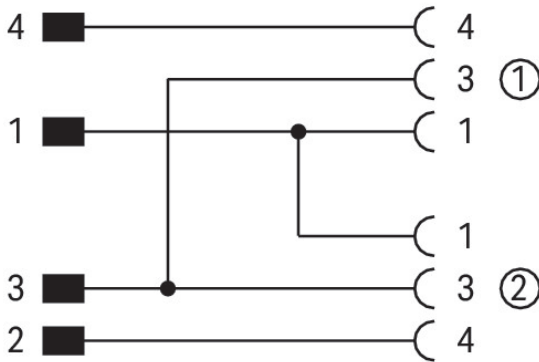
<https://www.wago.com/756-5514/040-020>



Similar to illustration



Pin 1 ... 4: 0,25 mm²



Short description:

- PUR, halogen-free
- Suitable for drag chains
- High resistance to microbes, hydrolysis, oil, chemicals and UV radiation
- High chemical resistance
- Cable used: UL listed

Technical data

General information

Operating voltage	60 VAC/DC
Operating current	4 A
Rated surge voltage	1.5 kV
Insulation resistance	>10 ⁹ Ω
Contact resistance	10 mΩ
Conductor resistance	≤ 60 Ω/km
Pollution degree	3 per VDE 0110
Protection type	IP67
Ambient (operating) temperature (static)	-50 ... +90 °C
Ambient (operating) temperature (dynamic)	-25 ... +90 °C

Drag chain compatible

Bending radius	10 x cable diameter (min.)
Bending cycles	2 million
Acceleration (min.)	5 m/s ²
Travel speed (max.)	3.33 m/s
Travel path (horizontal) max.	5 m
Travel path (vertical) max.	2 m
Torsional capacity	180 °/m

Cable		Connector	
Cable length	2 m	Connection type	M8 socket; M8 socket - M12 plug
Type code	LiF9YH-11YH or LiF9YC11YFHF	Pole number	4
Conductor configuration	Bare copper wire, fine-stranded (42 x 0.1 mm)	Cable connection direction to mating direction	90 °
Conductor insulation	PP9Y (halogen-free)	Cable connection direction to mating direction (2)	0 °
Sheath material	Polyurethane (PUR), halogen-free per DIN VDE 0472 Part 815, flame resistant per IEC 332-2, self-extinguishing	Connector interface coding (cable/adapter) 2 1	A-coded
Sheathed cable color	black	Housing material	Polyurethane (PUR)
Sheathed cable diameter	3.9 ... 4.3 mm	Contact material	CuSn
		Tightening torque	0.6 ... 1 Nm

Commercial data	
eCl@ss 10.0	27-06-03-11
eCl@ss 9.0	27-06-03-11
ETIM 8.0	EC001855
ETIM 7.0	EC001855
PU (SPU)	10 (1) pcs
Packaging type	Box
Country of origin	DE
GTIN	4044918994842
Customs tariff number	85444290900

Environmental Product Compliance	
CAS-No.	7439-92-1
REACH Candidate List Substance	Lead
RoHS Compliance Status	Compliant,With Exemption
RoHS Exemption	6(c)
SCIP notification number (Austria)	580a605d-152a-43ac-8ec1-ff0ee353ab83
SCIP notification number (Belgium)	4c046448-68a0-4e16-9c61-f14385792b89
SCIP notification number (Bulgaria)	cae9f806-2b78-483a-8ac8-ac4022f4aa0d
SCIP notification number (Czech Republic)	5c4eef24-3cf8-4b9a-b996-33f07aa8a4ab
SCIP notification number (Denmark)	fa7f8680-57b7-41fb-9e2b-633df792e958
SCIP notification number (Finland)	5bf14079-0220-493f-bed6-98e4246bb298
SCIP notification number (France)	2c3a66b8-761b-46e8-bea9-1d6ab931b34b
SCIP notification number (Germany)	80092a24-4ad4-48ca-922c-60264b0a1847
SCIP notification number (Hungary)	52d309a0-263a-4d98-b5d5-a406cc43106e
SCIP notification number (Italy)	264ad3fb-896a-41cc-a5b4-2e8ca5e93ef0
SCIP notification number (Netherlands)	18fb6b6c-a88c-437a-bf3d-f234fd46cc70
SCIP notification number (Poland)	33d6d0f8-ac87-4a99-8b2a-3f59d4ed8da6
SCIP notification number (Romania)	11149417-fd13-4b4d-8cb3-6fb118c13e66
SCIP notification number (Sweden)	2de5868d-1c74-4410-b497-6e41fd9372c5

Downloads

Environmental Product Compliance

Compliance Search

Environmental Product Compliance
756-5514/040-020



Documentation

System Description

IP67 Cables and Plug-gable Connectors

pdf
157.80 KB



Bid Text

756-5514/040-020

19.02.2019

xml
3.14 KB



756-5514/040-020

20.09.2017

doc
26.50 KB



CAD/CAE-Data

CAE data

WSCAD Universe
756-5514/040-020

