

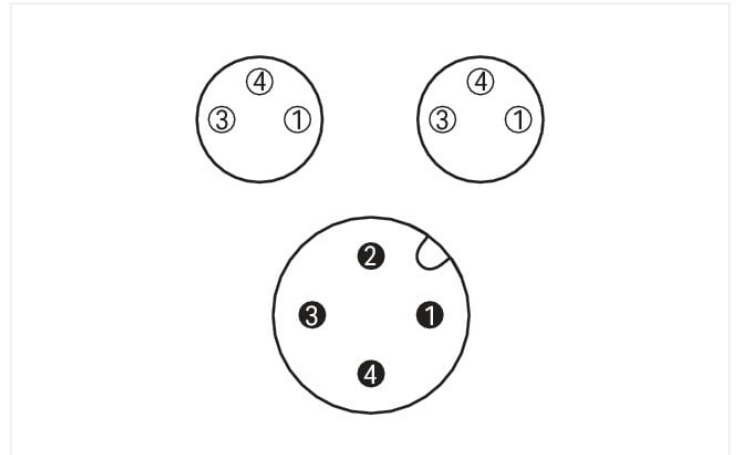
Data Sheet | Item Number: 756-5514/040-010

Sensor/Actuator cable; 2xM8 socket; angled; M12A plug; straight; 4-pole; Length: 1 m

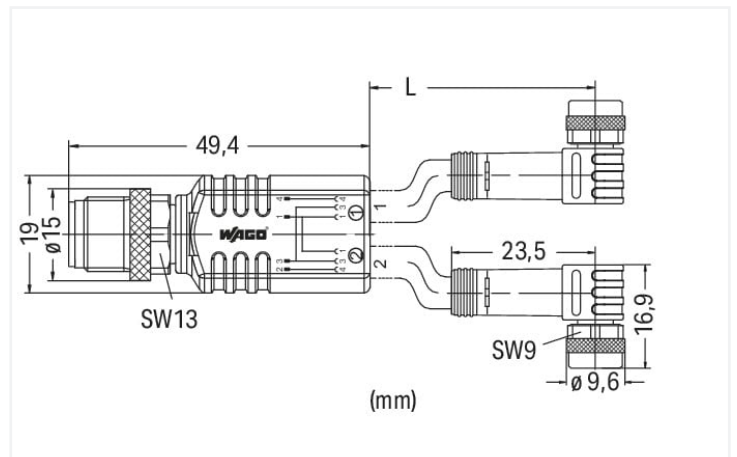
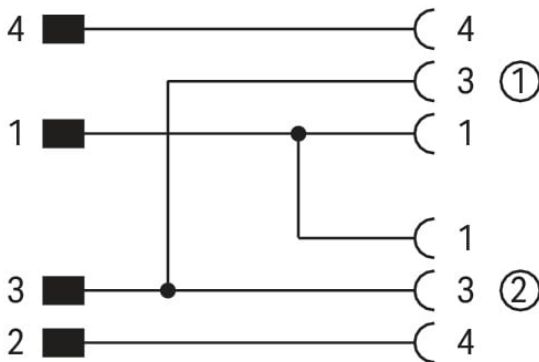
<https://www.wago.com/756-5514/040-010>



Similar to illustration



Pin 1 ... 4: 0,25 mm²



Short description:

- PUR, halogen-free
- Suitable for drag chains
- High resistance to microbes, hydrolysis, oil, chemicals and UV radiation
- High chemical resistance
- Cable used: UL listed

Technical data

General information		Drag chain compatible	
Operating voltage	60 VAC/DC	Bending radius	10 x cable diameter (min.)
Operating current	4 A	Bending cycles	2 million
Rated surge voltage	1.5 kV	Acceleration (min.)	5 m/s ²
Insulation resistance	>10 ⁹ Ω	Travel speed (max.)	3.33 m/s
Contact resistance	10 mΩ	Travel path (horizontal) max.	5 m
Conductor resistance	≤ 60 Ω/km	Travel path (vertical) max.	2 m
Pollution degree	3 per VDE 0110	Torsional capacity	180 °/m
Protection type	IP67		
Ambient (operating) temperature (static)	-50 ... +90 °C		
Ambient (operating) temperature (dynamic)	-25 ... +90 °C		

Cable	
Cable length	1 m
Type code	LiF9YH-11YH or LiF9YC11YFHF
Conductor configuration	Bare copper wire, fine-stranded (42 x 0.1 mm)
Conductor insulation	PP9Y (halogen-free)
Sheath material	Polyurethane (PUR), halogen-free per DIN VDE 0472 Part 815, flame resistant per IEC 332-2, self-extinguishing
Sheathed cable color	black
Sheathed cable diameter	3.9 ... 4.3 mm

Connector	
Connection type	M8 socket; M8 socket - M12 plug
Pole number	4
Cable connection direction to mating direction	90 °
Cable connection direction to mating direction (2)	0 °
Connector interface coding (cable/adapter) 2 1	A-coded
Housing material	Polyurethane (PUR)
Contact material	CuSn
Tightening torque	0.6 ... 1 Nm

Commercial data

eCl@ss 10.0	27-06-03-11
eCl@ss 9.0	27-06-03-11
ETIM 8.0	EC001855
ETIM 7.0	EC001855
PU (SPU)	1 pcs
Packaging type	Box
Country of origin	DE
GTIN	4044918994835
Customs tariff number	85444290900

Environmental Product Compliance

CAS-No.	7439-92-1
REACH Candidate List Substance	Lead
RoHS Compliance Status	Compliant,With Exemption
RoHS Exemption	6(c)
SCIP notification number (Austria)	658c9d55-9b2e-4cc2-86fe-183caba2b6fd
SCIP notification number (Belgium)	e51e384d-7a72-444e-b86e-d06cee50781f
SCIP notification number (Bulgaria)	0db56411-c70a-4663-9ac2-0e0ed9a83f61
SCIP notification number (Czech Republic)	fb9420ae-5368-40ea-a2b4-bb50a7279b2b
SCIP notification number (Denmark)	1f85d9da-c055-4275-9a32-af632a2a5072
SCIP notification number (Finland)	ff3b1141-c53d-4a70-81b3-f32606c6dca9
SCIP notification number (France)	3c42a708-be63-4165-8329-b166cfd8033c
SCIP notification number (Germany)	8c43ce36-9d44-4b85-a637-0b4843b7e510
SCIP notification number (Hungary)	1d29ba2f-56f8-4cd6-8f35-d89349817b4e
SCIP notification number (Italy)	1145c462-4e85-4915-8321-3a8357819ce3
SCIP notification number (Netherlands)	84d817e7-6f31-4ea7-96d6-d3fe15dfdb5c
SCIP notification number (Poland)	743769e7-17af-4101-9111-84de153f7cec
SCIP notification number (Romania)	673708f9-767f-44ac-b73a-06bd42aee28a
SCIP notification number (Sweden)	d7a91f64-69b5-4ec5-8148-17114dd19dbc

Downloads

Environmental Product Compliance

Compliance Search

Environmental Product Compliance
756-5514/040-010



Documentation

System Description

IP67 Cables and Plug-gable Connectors

pdf
157.80 KB



Bid Text

756-5514/040-010

19.02.2019

xml
3.14 KB



756-5514/040-010

20.09.2017

doc
26.50 KB



CAD/CAE-Data

CAE data

WSCAD Universe
756-5514/040-010

