

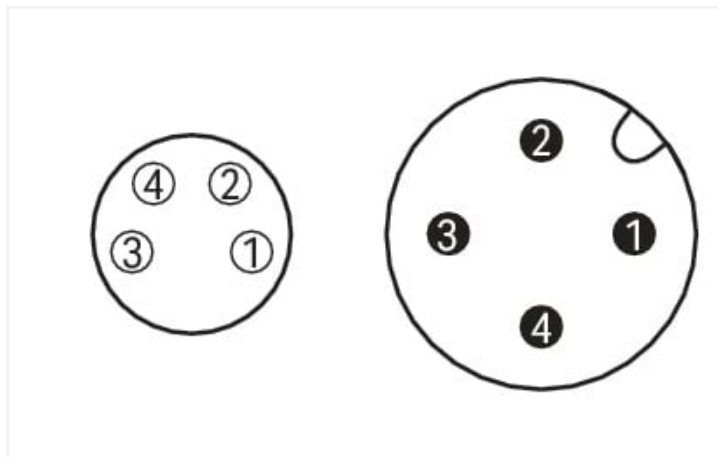
Data Sheet | Item Number: 756-5510/040-020

Sensor/Actuator cable; M8 socket; angled; M12A plug; angled; 4-pole; Length: 2 m

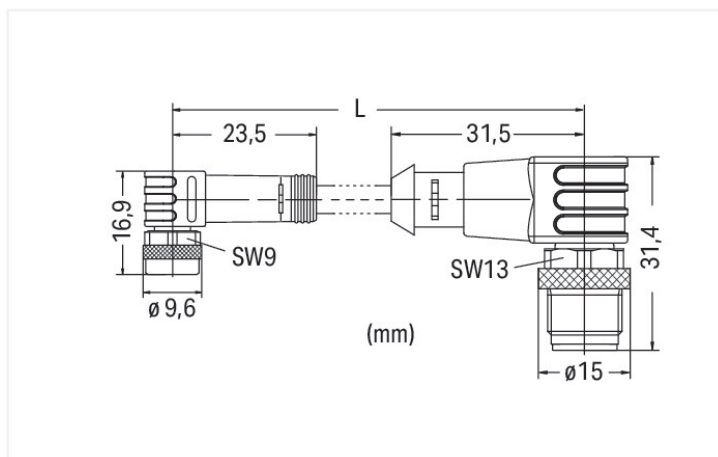
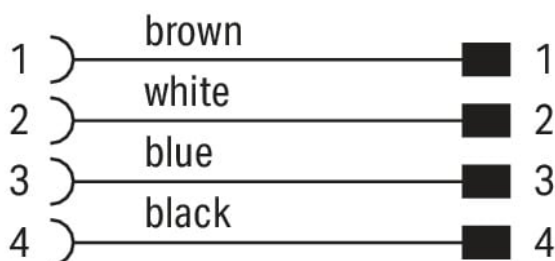
<https://www.wago.com/756-5510/040-020>



Similar to illustration



Pin 1 ... 4: 0.25 mm²



Dimensions in mm

Short description:

- PUR, halogen-free
- Suitable for drag chains
- Good resistance to microbes, hydrolysis, oil, chemicals and UV radiation.
- Good chemical resistance.
- Cable used: UL listed

Technical data

General information

Operating voltage	AC/DC 60 V
Operating current	4 A
Rated surge voltage	1.5 kV
Insulation resistance	>10 ⁹ Ω
Contact resistance	10 mΩ
Conductor resistance	≤ 60 Ω/km
Pollution degree	3 per VDE 0110
Protection type	IP67
Ambient (operating) temperature (static)	-50 ... +90 °C
Ambient (operating) temperature (dynamic)	-25 ... +90 °C

Drag chain compatible

Bending radius	10 x cable diameter (min.)
Bending cycles	2 million
Acceleration (min.)	5 m/s ²
Travel speed (max.)	3.33 m/s
Travel path (horizontal) max.	5 m
Travel path (vertical) max.	2 m
Torsional capacity	180 °/m

Cable

Cable length	2 m
Type code	LiF9YH-11YH or LiF9YC11YFHF
Conductor configuration	Bare copper wire, fine-stranded (42 x 0.1 mm)
Conductor insulation	PP9Y (halogen-free)
Sheath material	Polyurethane (PUR), halogen-free per DIN VDE 0472 Part 815, flame resistant per IEC 332-2, self-extinguishing
Sheathed cable color	black
Sheathed cable diameter	3.9 ... 4.3 mm

Connector

Connection type	M8 socket - M12 plug
Pole number	4
Cable connection direction to mating direction	90 °
Cable connection direction to mating direction (2)	90 °
Connector interface coding (cable/adapter) 2 1	A-coded
Housing material	Polyurethane (PUR)
Contact material	CuSn
Tightening torque	0.6 ... 1 Nm

Commercial data

eCl@ss 10.0	27-06-03-11
eCl@ss 9.0	27-06-03-11
ETIM 8.0	EC001855
ETIM 7.0	EC001855
PU (SPU)	10 (1) pcs
Packaging type	Box
Country of origin	DE
GTIN	4044918976008
Customs tariff number	85444290900

Environmental Product Compliance

CAS-No.	7439-92-1
REACH Candidate List Substance	Lead
RoHS Compliance Status	Compliant,With Exemption
RoHS Exemption	6(c)
SCIP notification number (Austria)	8019e4d4-6c11-47bf-842c-653cd08a1b0e
SCIP notification number (Belgium)	54d9fb6a-1d53-415b-b3a2-7990a7258d0c
SCIP notification number (Bulgaria)	c298076e-9f3c-4505-a8af-64a6756afc69
SCIP notification number (Czech Republic)	6bafc9ac-cd59-4519-a999-74d4d5f50614
SCIP notification number (Denmark)	49982320-2490-42d1-a3a4-00b66c2e39a1
SCIP notification number (Finland)	466d4455-4d4e-46ee-b8dc-51d57a143576
SCIP notification number (France)	509f1996-23b1-41a8-9f0b-7fdeda7dc3c5
SCIP notification number (Germany)	bd87f223-68cd-49cc-8d00-d7113d3b02b1
SCIP notification number (Hungary)	b4ed90c4-2719-415a-90dc-7387b71ad7ea
SCIP notification number (Italy)	6fd5e02c-7bee-4f3c-8315-be2ca493d702
SCIP notification number (Netherlands)	3b00c21a-8fdc-4121-8f20-f9e91d318ffd
SCIP notification number (Poland)	18ba1913-1281-41f6-ae23-deb522372ab5
SCIP notification number (Romania)	c568d1e6-d82a-4aad-8046-1cfc93e8873a
SCIP notification number (Sweden)	9591181e-6d57-4797-910b-9d4331681b24

Downloads

Environmental Product Compliance

Compliance Search

Environmental Product Compliance
756-5510/040-020



Documentation

System Description

IP67 Cables and Plug-gable Connectors

pdf
157.80 KB



Bid Text

756-5510/040-020

19.02.2019

xml
3.24 KB



756-5510/040-020

20.09.2017

doc
25.50 KB



CAD/CAE-Data

CAE data

WSCAD Universe
756-5510/040-020

