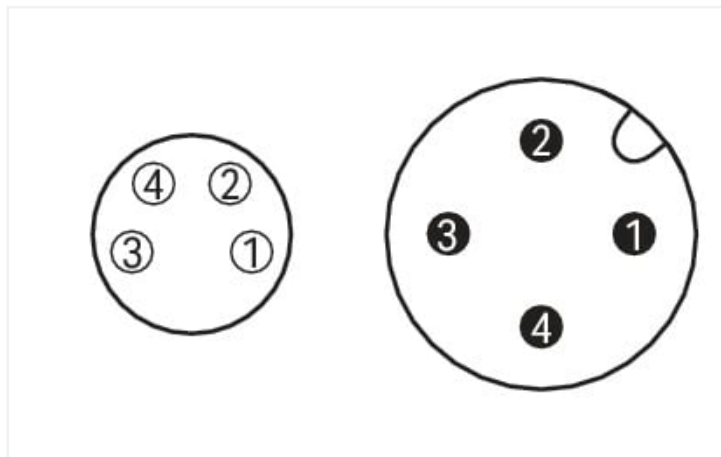


Data Sheet | Item Number: 756-5510/040-010

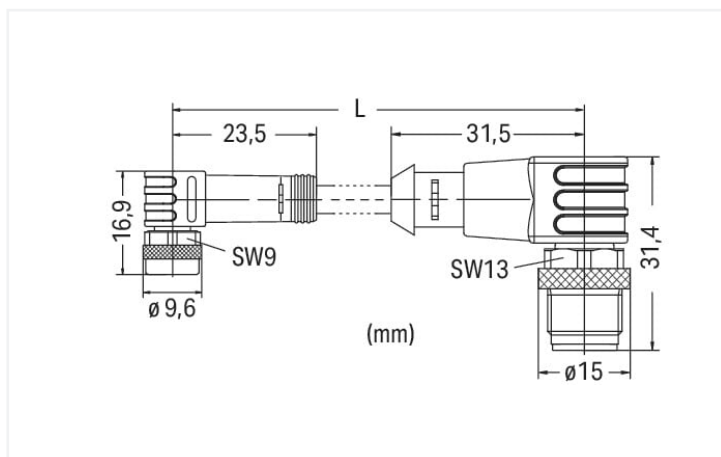
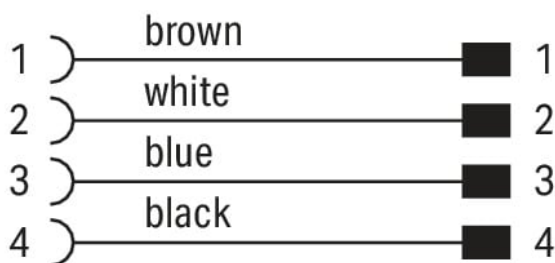
Sensor/Actuator cable; M8 socket; angled; M12A plug; angled; 4-pole; Length: 1 m

<https://www.wago.com/756-5510/040-010>



Similar to illustration

Pin 1 ... 4: 0.25 mm²



Dimensions in mm

Short description:

- PUR, halogen-free
- Suitable for drag chains
- Good resistance to microbes, hydrolysis, oil, chemicals and UV radiation.
- Good chemical resistance.
- Cable used: UL listed

Technical data

General information

Operating voltage	AC/DC 60 V
Operating current	4 A
Rated surge voltage	1.5 kV
Insulation resistance	>10 ⁹ Ω
Contact resistance	10 mΩ
Conductor resistance	≤ 60 Ω/km
Pollution degree	3 per VDE 0110
Protection type	IP67
Ambient (operating) temperature (static)	-50 ... +90 °C
Ambient (operating) temperature (dynamic)	-25 ... +90 °C

Drag chain compatible

Bending radius	10 x cable diameter (min.)
Bending cycles	2 million
Acceleration (min.)	5 m/s ²
Travel speed (max.)	3.33 m/s
Travel path (horizontal) max.	5 m
Travel path (vertical) max.	2 m
Torsional capacity	180 °/m

Cable	
Cable length	1 m
Type code	LiF9YH-11YH or LiF9YC11YFHF
Conductor configuration	Bare copper wire, fine-stranded (42 x 0.1 mm)
Conductor insulation	PP9Y (halogen-free)
Sheath material	Polyurethane (PUR), halogen-free per DIN VDE 0472 Part 815, flame resistant per IEC 332-2, self-extinguishing
Sheathed cable color	black
Sheathed cable diameter	3.9 ... 4.3 mm

Connector	
Connection type	M8 socket - M12 plug
Pole number	4
Cable connection direction to mating direction	90 °
Cable connection direction to mating direction (2)	90 °
Connector interface coding (cable/adapter) 2 1	A-coded
Housing material	Polyurethane (PUR)
Contact material	CuSn
Tightening torque	0.6 ... 1 Nm

Commercial data

eCl@ss 10.0	27-06-03-11
eCl@ss 9.0	27-06-03-11
ETIM 8.0	EC001855
ETIM 7.0	EC001855
PU (SPU)	10 (1) pcs
Packaging type	Box
Country of origin	DE
GTIN	4044918975995
Customs tariff number	85444290900

Environmental Product Compliance

CAS-No.	7439-92-1
REACH Candidate List Substance	Lead
RoHS Compliance Status	Compliant,With Exemption
RoHS Exemption	6(c)
SCIP notification number (Austria)	3e79ac12-87e3-4959-9822-9f161244b748
SCIP notification number (Belgium)	6d38c094-f6a0-4e71-b658-c442586faf64
SCIP notification number (Bulgaria)	3bac0696-bc1e-4c75-9f7a-96ca30a782bd
SCIP notification number (Czech Republic)	e18d517f-6178-4744-a35a-c822185bac67
SCIP notification number (Denmark)	9a09ec78-2810-4dfa-a9ac-2ed68c1d3b63
SCIP notification number (Finland)	f1f25160-0d23-4301-941a-108ee25f0503
SCIP notification number (France)	12e21e27-6c23-4c88-8abc-c52c04b2f683
SCIP notification number (Germany)	7e54f7e6-5eba-4178-9d5c-f43b416f8dd9
SCIP notification number (Hungary)	4ea55beb-9607-4374-bf3c-9371c0161e31
SCIP notification number (Italy)	e194b396-f968-4a79-ae21-f805c035421e
SCIP notification number (Netherlands)	8981478b-33dd-4597-a2f9-eda6fd2abe52
SCIP notification number (Poland)	485445f6-06e8-4077-8524-ff6b61408bb1
SCIP notification number (Romania)	cc0ed399-671a-476c-839d-a9aa5a696e95
SCIP notification number (Sweden)	ac1e9f95-ea9f-4ee9-9efd-71ce8cfeccb0

Downloads

Environmental Product Compliance

Compliance Search

Environmental Product Compliance
756-5510/040-010



Documentation

System Description

IP67 Cables and Plug-gable Connectors

pdf
157.80 KB



Bid Text

756-5510/040-010

19.02.2019

xml
3.24 KB



756-5510/040-010

20.09.2017

doc
25.50 KB



CAD/CAE-Data

CAE data

WSCAD Universe
756-5510/040-010

