

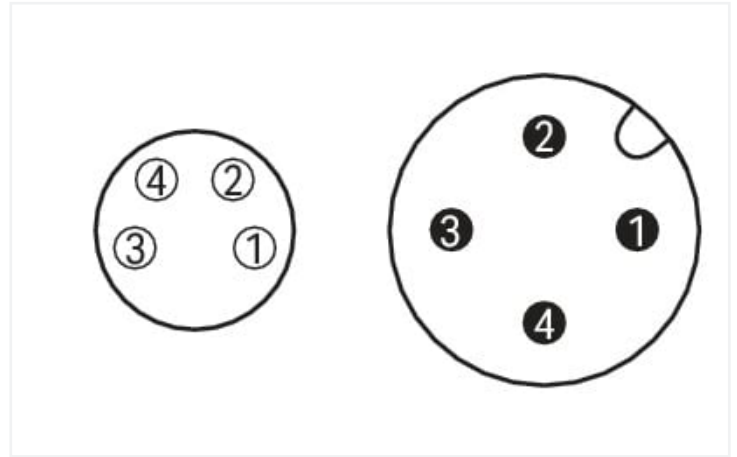
Data Sheet | Item Number: 756-5508/040-020

Sensor/Actuator cable; M8 socket; straight; M12A plug; angled; 4-pole; Length: 2 m

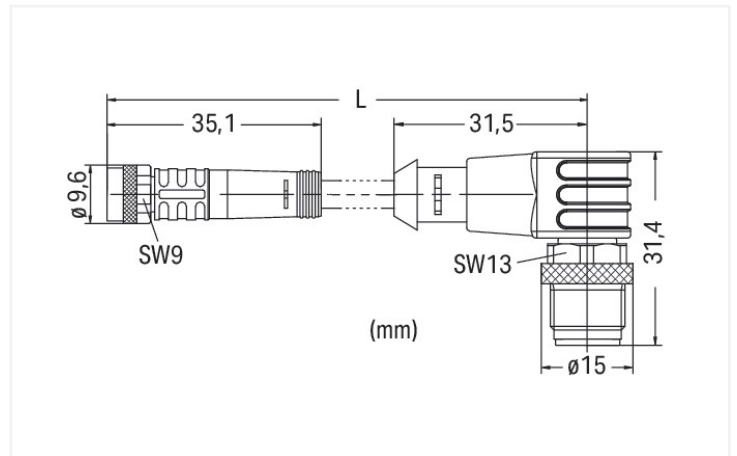
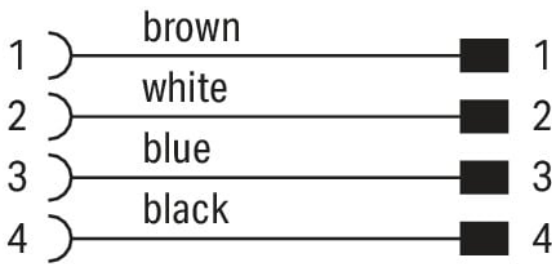
<https://www.wago.com/756-5508/040-020>



Similar to illustration



Pin 1 ... 4: 0.25 mm²



Dimensions in mm

Short description:

- PUR, halogen-free
- Suitable for drag chains
- Good resistance to microbes, hydrolysis, oil, chemicals and UV radiation.
- Good chemical resistance.
- Cable used: UL listed

Technical data

General information

Operating voltage	AC/DC 60 V
Operating current	4 A
Rated surge voltage	1.5 kV
Insulation resistance	>10 ⁹ Ω
Contact resistance	10 mΩ
Conductor resistance	≤ 60 Ω/km
Pollution degree	3 per VDE 0110
Protection type	IP67
Ambient (operating) temperature (static)	-50 ... +90 °C
Ambient (operating) temperature (dynamic)	-25 ... +90 °C

Drag chain compatible

Bending radius	10 x cable diameter (min.)
Bending cycles	2 million
Acceleration (min.)	5 m/s ²
Travel speed (max.)	3.33 m/s
Travel path (horizontal) max.	5 m
Travel path (vertical) max.	2 m
Torsional capacity	180 °/m

Cable	
Cable length	2 m
Type code	LiF9YH-11YH or LiF9YC11YFHF
Conductor configuration	Bare copper wire, fine-stranded (42 x 0.1 mm)
Conductor insulation	PP9Y (halogen-free)
Sheath material	Polyurethane (PUR), halogen-free per DIN VDE 0472 Part 815, flame resistant per IEC 332-2, self-extinguishing
Sheathed cable color	black
Sheathed cable diameter	3.9 ... 4.3 mm

Connector	
Connection type	M8 socket - M12 plug
Pole number	4
Cable connection direction to mating direction	0 °
Cable connection direction to mating direction (2)	90 °
Connector interface coding (cable/adapter) 2 1	A-coded
Housing material	Polyurethane (PUR)
Contact material	CuSn
Tightening torque	0.6 ... 1 Nm

Commercial data	
eCl@ss 10.0	27-06-03-11
eCl@ss 9.0	27-06-03-11
ETIM 8.0	EC001855
ETIM 7.0	EC001855
PU (SPU)	10 (1) pcs
Packaging type	Box
Country of origin	DE
GTIN	4044918975964
Customs tariff number	85444290900

Environmental Product Compliance	
CAS-No.	7439-92-1
REACH Candidate List Substance	Lead
RoHS Compliance Status	Compliant,With Exemption
RoHS Exemption	6(c)
SCIP notification number (Austria)	9525e59f-6d7c-4862-a7f7-0a3b24e20704
SCIP notification number (Belgium)	a0d278ab-4022-4556-ae1c-2feaf7865ade
SCIP notification number (Bulgaria)	38946b5c-5521-41a9-a425-c781d78bf16d
SCIP notification number (Czech Republic)	f24bb182-a7fe-421f-94ce-dbc67228d026
SCIP notification number (Denmark)	788578a2-84f1-4023-a6c9-237b772499eb
SCIP notification number (Finland)	96a3280d-d710-4491-8a72-da9242f330ad
SCIP notification number (France)	fa5143fe-9482-44d4-8d36-fc90e7d87033
SCIP notification number (Germany)	fb606ca2-bbd2-438d-901c-2b7e444b56ed
SCIP notification number (Hungary)	009fe00e-6377-46cc-b461-f6bc5fd2b523
SCIP notification number (Italy)	a03c0eac-28c4-4c28-a0a3-f1dfc17b4a4b
SCIP notification number (Netherlands)	e0009612-3fae-4f34-970e-3d5ea4a60ee8
SCIP notification number (Poland)	7038b7df-2dc2-4298-84b8-0e6963c0c9a0
SCIP notification number (Romania)	3f57e699-3419-4050-9aeb-69442b95435f
SCIP notification number (Sweden)	3c220214-a0a0-44cd-bb1d-1b21bc53f0cc

Downloads

Environmental Product Compliance

Compliance Search

Environmental Product
Compliance
756-5508/040-020



Documentation

System Description

IP67 Cables and Plug-
gable Connectors

pdf
157.80 KB



Bid Text

756-5508/040-020

19.02.2019

xml
3.24 KB



756-5508/040-020

20.09.2017

doc
25.50 KB



CAD/CAE-Data

CAE data

WSCAD Universe
756-5508/040-020

