

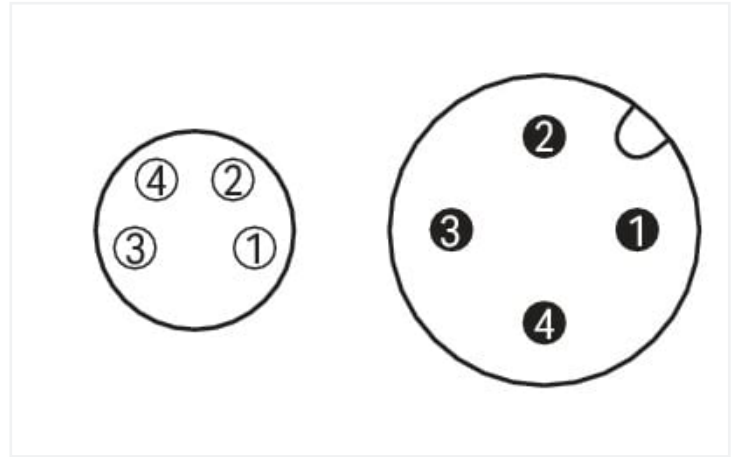
# Data Sheet | Item Number: 756-5508/040-010

Sensor/Actuator cable; M8 socket; straight; M12A plug; angled; 4-pole; Length: 1 m

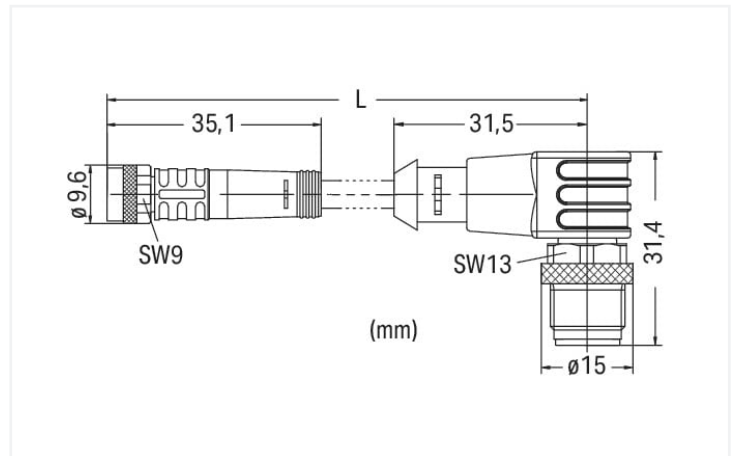
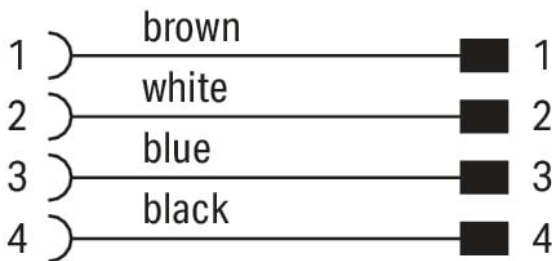
<https://www.wago.com/756-5508/040-010>



Similar to illustration



## Pin 1 ... 4: 0.25 mm<sup>2</sup>



Dimensions in mm

### Short description:

- PUR, halogen-free
- Suitable for drag chains
- Good resistance to microbes, hydrolysis, oil, chemicals and UV radiation.
- Good chemical resistance.
- Cable used: UL listed

### Technical data

#### General information

Operating voltage	AC/DC 60 V
Operating current	4 A
Rated surge voltage	1.5 kV
Insulation resistance	>10 <sup>9</sup> Ω
Contact resistance	10 mΩ
Conductor resistance	≤ 60 Ω/km
Pollution degree	3 per VDE 0110
Protection type	IP67
Ambient (operating) temperature (static)	-50 ... +90 °C
Ambient (operating) temperature (dynamic)	-25 ... +90 °C

#### Drag chain compatible

Bending radius	10 x cable diameter (min.)
Bending cycles	2 million
Acceleration (min.)	5 m/s <sup>2</sup>
Travel speed (max.)	3.33 m/s
Travel path (horizontal) max.	5 m
Travel path (vertical) max.	2 m
Torsional capacity	180 °/m

Cable		Connector	
Cable length	1 m	Connection type	M8 socket - M12 plug
Type code	LiF9YH-11YH or LiF9YC11YFHF	Pole number	4
Conductor configuration	Bare copper wire, fine-stranded (42 x 0.1 mm)	Cable connection direction to mating direction	0 °
Conductor insulation	PP9Y (halogen-free)	Cable connection direction to mating direction (2)	90 °
Sheath material	Polyurethane (PUR), halogen-free per DIN VDE 0472 Part 815, flame resistant per IEC 332-2, self-extinguishing	Connector interface coding (cable/adapter) 2 1	A-coded
Sheathed cable color	black	Housing material	Polyurethane (PUR)
Sheathed cable diameter	3.9 ... 4.3 mm	Contact material	CuSn
		Tightening torque	0.6 ... 1 Nm

Commercial data	
eCl@ss 10.0	27-06-03-11
eCl@ss 9.0	27-06-03-11
ETIM 8.0	EC001855
ETIM 7.0	EC001855
PU (SPU)	10 (1) pcs
Packaging type	Box
Country of origin	DE
GTIN	4044918975957
Customs tariff number	85444290900

Environmental Product Compliance	
CAS-No.	7439-92-1
REACH Candidate List Substance	Lead
RoHS Compliance Status	Compliant,With Exemption
RoHS Exemption	6(c)
SCIP notification number (Austria)	d7fb26ff-42e1-4a11-8dff-4069a23d2d88
SCIP notification number (Belgium)	cf7eb52d-c97f-4bee-bd48-dba59c82ce5f
SCIP notification number (Bulgaria)	e401be33-db1f-4b6f-91d5-962b2f53f44a
SCIP notification number (Czech Republic)	8f76b2f5-d1c1-4295-8039-8c85b2aedb57
SCIP notification number (Denmark)	89a73e4c-5e35-478a-b5d0-78933e909e5d
SCIP notification number (Finland)	e346ff9a-1e22-4ecc-abd4-5e29784d5746
SCIP notification number (France)	d0914399-777e-4be2-a6db-43e9c4d032a8
SCIP notification number (Germany)	deb78747-9871-48e6-96e2-3ff23f17c123
SCIP notification number (Hungary)	c46e021c-906c-4669-a1d1-19e86dbac0b9
SCIP notification number (Italy)	8dd552b7-8033-48d2-a7c2-158f97644529
SCIP notification number (Netherlands)	8a62b0fc-15c3-4848-aff7-7a6e5ca1e6f1
SCIP notification number (Poland)	6c9e38c2-4718-4670-ad1d-cf7cdb18f152
SCIP notification number (Romania)	eed09814-4b68-4b0c-ba0d-1be1eab8173a
SCIP notification number (Sweden)	bc33796b-bdcc-4f13-869e-cf9b0f565903

Downloads

Environmental Product Compliance

Compliance Search

Environmental Product Compliance  
756-5508/040-010



Documentation

System Description

IP67 Cables and Plug-gable Connectors

pdf  
157.80 KB



Bid Text

756-5508/040-010

19.02.2019

xml  
3.24 KB



756-5508/040-010

20.09.2017

doc  
25.50 KB



CAD/CAE-Data

CAE data

WSCAD Universe  
756-5508/040-010

