

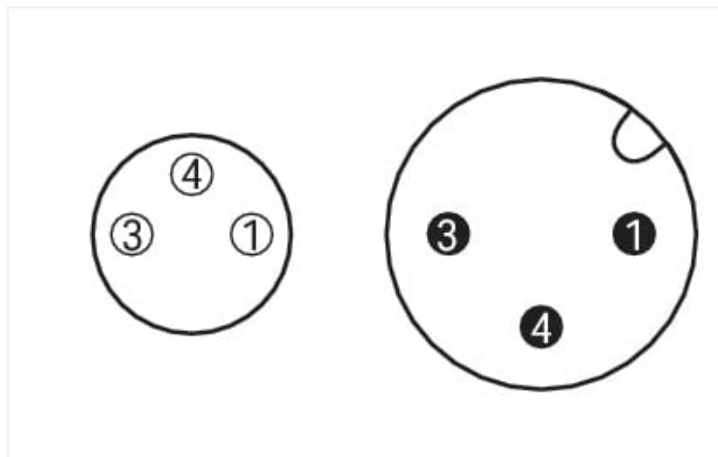
# Data Sheet | Item Number: 756-5508/030-020

Sensor/Actuator cable; M8 socket; straight; M12A plug; angled; 3-pole; Length: 2 m

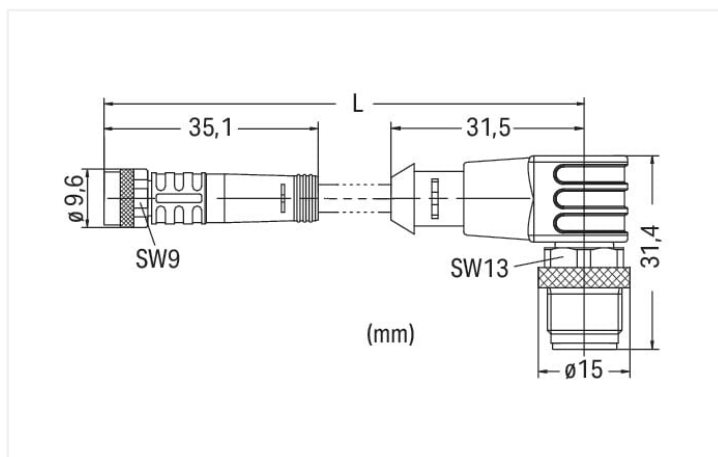
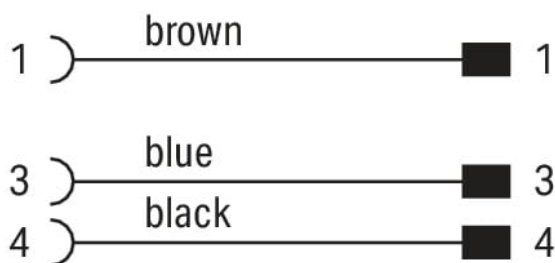
<https://www.wago.com/756-5508/030-020>



Similar to illustration



Pin 1 ... 4: 0.25 mm<sup>2</sup>



Dimensions in mm

## Short description:

- PUR, halogen-free
- Suitable for drag chains
- Good resistance to microbes, hydrolysis, oil, chemicals and UV radiation.
- Good chemical resistance.
- Cable used: UL listed

## Technical data

### General information

Operating voltage	AC/DC 60 V
Operating current	4 A
Rated surge voltage	1.5 kV
Insulation resistance	>10 <sup>9</sup> Ω
Contact resistance	10 mΩ
Conductor resistance	≤ 60 Ω/km
Pollution degree	3 per VDE 0110
Protection type	IP67
Ambient (operating) temperature (static)	-50 ... +90 °C
Ambient (operating) temperature (dynamic)	-25 ... +90 °C

### Drag chain compatible

Bending radius	10 x cable diameter (min.)
Bending cycles	2 million
Acceleration (min.)	5 m/s <sup>2</sup>
Travel speed (max.)	3.33 m/s
Travel path (horizontal) max.	5 m
Travel path (vertical) max.	2 m
Torsional capacity	180 °/m

Cable	
Cable length	2 m
Type code	LiF9YH-11YH or LiF9YC11YFHF
Conductor configuration	Bare copper wire, fine-stranded (42 x 0.1 mm)
Conductor insulation	PP9Y (halogen-free)
Sheath material	Polyurethane (PUR), halogen-free per DIN VDE 0472 Part 815, flame resistant per IEC 332-2, self-extinguishing
Sheathed cable color	black
Sheathed cable diameter	3.9 ... 4.3 mm

Connector	
Connection type	M8 socket - M12 plug
Pole number	3
Cable connection direction to mating direction	0 °
Cable connection direction to mating direction (2)	90 °
Connector interface coding (cable/adapter) 2 1	A-coded
Housing material	Polyurethane (PUR)
Contact material	CuSn
Tightening torque	0.6 ... 1 Nm

Commercial data	
eCl@ss 10.0	27-06-03-11
eCl@ss 9.0	27-06-03-11
ETIM 8.0	EC001855
ETIM 7.0	EC001855
PU (SPU)	10 (1) pcs
Packaging type	Box
Country of origin	DE
GTIN	4044918975865
Customs tariff number	85444290900

Environmental Product Compliance	
CAS-No.	7439-92-1
REACH Candidate List Substance	Lead
RoHS Compliance Status	Compliant,With Exemption
RoHS Exemption	6(c)
SCIP notification number (Austria)	cdcd36fa-e043-48d1-86b1-7d088e11391a
SCIP notification number (Belgium)	3b361d82-7ee9-48f3-82a6-46b6bf084d27
SCIP notification number (Bulgaria)	c58807b4-c2e4-419e-bb0e-e0ce6889aad7
SCIP notification number (Czech Republic)	791f9ebe-43fa-4cf3-b816-cf391f5083ba
SCIP notification number (Denmark)	779cc121-a031-47a4-b081-0c73f1bbeb5a
SCIP notification number (Finland)	21c7298e-a79a-45e6-bf1f-adc691e1a7f9
SCIP notification number (France)	22562bff-7881-42d4-bc40-92a662b83fe0
SCIP notification number (Germany)	116d66cc-6b04-4fe3-bbc5-ebd0a3e99043
SCIP notification number (Hungary)	cb1e0c28-f7dd-4aae-9fa1-52a40e71a138
SCIP notification number (Italy)	e54e275f-e473-40b0-a674-2e64d3642fa9
SCIP notification number (Netherlands)	6b59abac-a54c-491e-9a43-81dae65aab56
SCIP notification number (Poland)	4590199a-6f7d-4747-8ba1-b3b233bba2c5
SCIP notification number (Romania)	c5ad0583-54a7-425d-9a36-3ad420e06077
SCIP notification number (Sweden)	73494baa-fa71-4bcf-a1b8-58c191a7fb80

**Downloads**

**Environmental Product Compliance**

**Compliance Search**

Environmental Product Compliance  
756-5508/030-020



**Documentation**

**System Description**

IP67 Cables and Plug-gable Connectors

pdf  
157.80 KB



**Bid Text**

756-5508/030-020

19.02.2019

xml  
3.21 KB



756-5508/030-020

20.09.2017

doc  
25.50 KB



**CAD/CAE-Data**

**CAE data**

WSCAD Universe  
756-5508/030-020

