

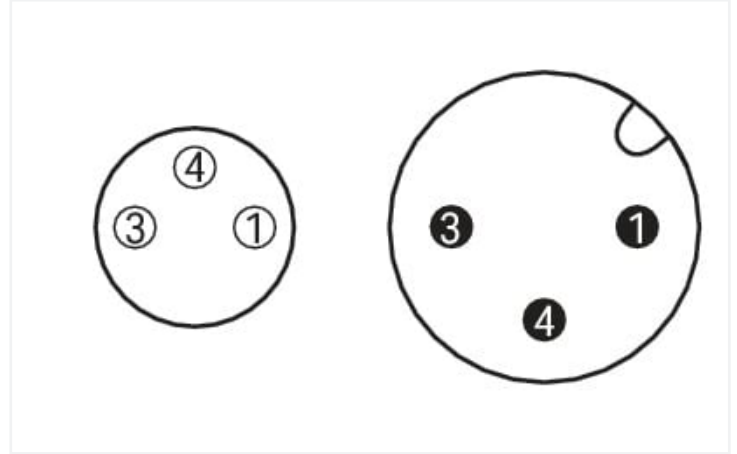
Data Sheet | Item Number: 756-5508/030-010

Sensor/Actuator cable; M8 socket; straight; M12A plug; angled; 3-pole; Length: 1 m

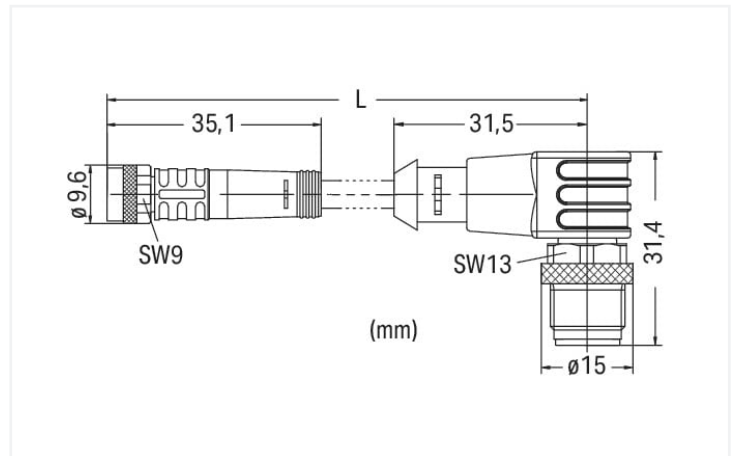
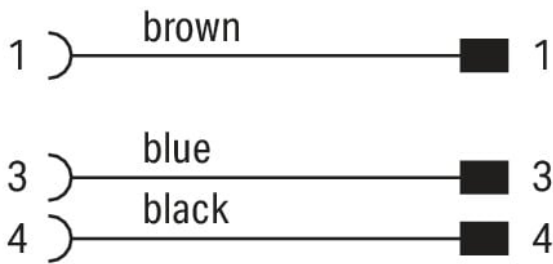
<https://www.wago.com/756-5508/030-010>



Similar to illustration



Pin 1 ... 4: 0.25 mm²



Dimensions in mm

Short description:

- PUR, halogen-free
- Suitable for drag chains
- Good resistance to microbes, hydrolysis, oil, chemicals and UV radiation.
- Good chemical resistance.
- Cable used: UL listed

Technical data

General information

Operating voltage	AC/DC 60 V
Operating current	4 A
Rated surge voltage	1.5 kV
Insulation resistance	>10 ⁹ Ω
Contact resistance	10 mΩ
Conductor resistance	≤ 60 Ω/km
Pollution degree	3 per VDE 0110
Protection type	IP67
Ambient (operating) temperature (static)	-50 ... +90 °C
Ambient (operating) temperature (dynamic)	-25 ... +90 °C

Drag chain compatible

Bending radius	10 x cable diameter (min.)
Bending cycles	2 million
Acceleration (min.)	5 m/s ²
Travel speed (max.)	3.33 m/s
Travel path (horizontal) max.	5 m
Travel path (vertical) max.	2 m
Torsional capacity	180 °/m

Cable		Connector	
Cable length	1 m	Connection type	M8 socket - M12 plug
Type code	LiF9YH-11YH or LiF9YC11YFHF	Pole number	3
Conductor configuration	Bare copper wire, fine-stranded (42 x 0.1 mm)	Cable connection direction to mating direction	0 °
Conductor insulation	PP9Y (halogen-free)	Cable connection direction to mating direction (2)	90 °
Sheath material	Polyurethane (PUR), halogen-free per DIN VDE 0472 Part 815, flame resistant per IEC 332-2, self-extinguishing	Connector interface coding (cable/adapter) 2 1	A-coded
Sheathed cable color	black	Housing material	Polyurethane (PUR)
Sheathed cable diameter	3.9 ... 4.3 mm	Contact material	CuSn
		Tightening torque	0.6 ... 1 Nm

Commercial data	
eCl@ss 10.0	27-06-03-11
eCl@ss 9.0	27-06-03-11
ETIM 8.0	EC001855
ETIM 7.0	EC001855
PU (SPU)	10 (1) pcs
Packaging type	Box
Country of origin	DE
GTIN	4044918975841
Customs tariff number	85444290900

Environmental Product Compliance	
CAS-No.	7439-92-1
REACH Candidate List Substance	Lead
RoHS Compliance Status	Compliant,With Exemption
RoHS Exemption	6(c)
SCIP notification number (Austria)	33835ece-8299-43fe-a190-43bde39be649
SCIP notification number (Belgium)	84251463-9a8b-4943-8257-ca0029290a5d
SCIP notification number (Bulgaria)	16359a6e-b69d-4767-b977-2f0a23419839
SCIP notification number (Czech Republic)	fb54877e-94a7-45d4-98e6-eb94be948651
SCIP notification number (Denmark)	c843afad-ace1-48e8-9cb4-a44f2c2c7eb3
SCIP notification number (Finland)	470c962f-e5b1-4612-b315-696a611a7240
SCIP notification number (France)	0bbd62a0-05cb-437b-bc6a-414d3440fa0b
SCIP notification number (Germany)	fff56a06-dd4a-4cd5-829a-987bfea46749
SCIP notification number (Hungary)	72ff2540-890e-4a56-8bac-1ceab56099b6
SCIP notification number (Italy)	8c7200ad-f478-4204-8bc8-988b2e688864
SCIP notification number (Netherlands)	9e6c5f34-3535-4442-8849-06df9cb509e5
SCIP notification number (Poland)	27c690ee-6aa6-46e5-bc26-322c230755e1
SCIP notification number (Romania)	750ee43f-1bee-4919-a074-e76cf10e2b1c
SCIP notification number (Sweden)	3bd417c5-7c72-4417-9a8b-7b494e385d30

Downloads

Environmental Product Compliance

Compliance Search

Environmental Product
Compliance
756-5508/030-010



Documentation

System Description

IP67 Cables and Plug-
gable Connectors

pdf
157.80 KB



Bid Text

756-5508/030-010

19.02.2019

xml
3.21 KB



756-5508/030-010

20.09.2017

doc
25.50 KB



CAD/CAE-Data

CAE data

WSCAD Universe
756-5508/030-010

