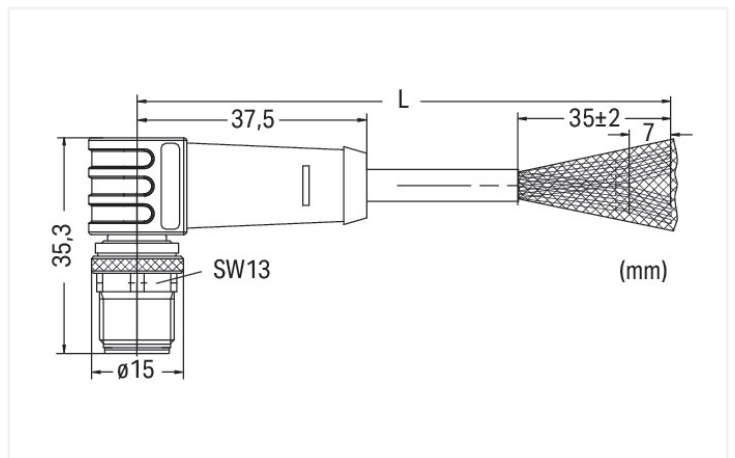
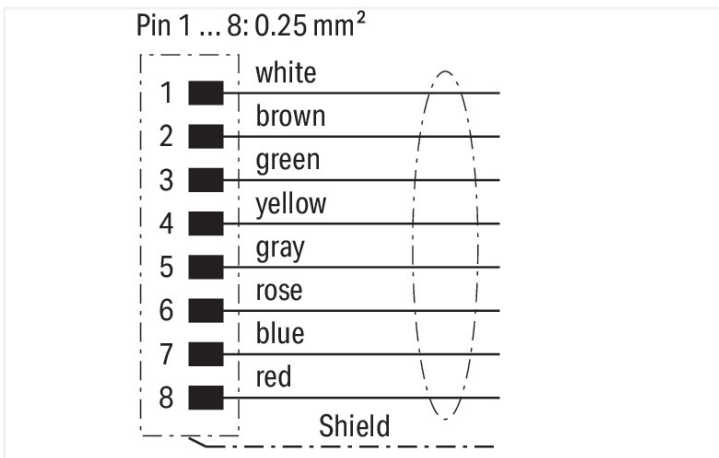


Similar to illustration



Dimensions in mm

Short description:

- PUR, halogen-free
- Suitable for drag chains
- High resistance to microbes, hydrolysis, oil, chemicals and UV radiation
- High chemical resistance
- Cable used: UL listed

Technical data	
General information	
Operating voltage	250 VAC/DC
Operating current	4 A
Rated surge voltage	1.5 kV
Insulation resistance	>10 ⁸ Ω
Contact resistance	10 mΩ
Conductor resistance	≤ 60 Ω/km
Pollution degree	3 per VDE 0110
Protection type	IP67
Ambient (operating) temperature (static)	-50 ... +90 °C
Ambient (operating) temperature (dynamic)	-25 ... +90 °C
Drag chain compatible	
Bending radius	10 x cable diameter (min.)
Bending cycles	2 million
Acceleration (min.)	5 m/s ²
Travel speed (max.)	3.33 m/s
Travel path (horizontal) max.	5 m
Travel path (vertical) max.	2 m
Torsional capacity	180 °/m

Cable	
Cable length	10 m
Type code	LiF9YH-11YH or LiF9YC11YFHF
Conductor configuration	Bare copper wire, fine-stranded (32 x 0.1 mm)
Conductor insulation	PP9Y (halogen-free)
Sheath material	Polyurethane (PUR), halogen-free per DIN VDE 0472 Part 815, flame resistant per IEC 332-2, self-extinguishing
Sheathed cable color	black
Sheathed cable diameter	6.1 ... 6.5 mm

Connector	
Connection type	M12 plug - free end
Pole number	8
Cable connection direction to mating direction	90 °
Connector interface coding (cable/adapter) 1 1	A-coded
Housing material	Polyurethane (PUR)
Contact material	CuSn
Tightening torque	1 Nm

Commercial data	
eCl@ss 10.0	27-06-03-11
eCl@ss 9.0	27-06-03-11
ETIM 8.0	EC001855
ETIM 7.0	EC001855
PU (SPU)	1 pcs
Packaging type	Box
Country of origin	HU
GTIN	4050821346333
Customs tariff number	85444290900

Environmental Product Compliance	
CAS-No.	7439-92-1
REACH Candidate List Substance	Lead
RoHS Compliance Status	Compliant,With Exemption
RoHS Exemption	6(c)
SCIP notification number (Austria)	e8aa2dc7-3330-4dff-b388-f0b8dc473e22
SCIP notification number (Belgium)	c1542578-57f4-4481-bce0-d72114781ec6
SCIP notification number (Bulgaria)	919b89af-6844-4e6b-a714-c6bba341138f
SCIP notification number (Czech Republic)	7fa6e2b9-2235-4ac3-bb5a-e0504bdc9836
SCIP notification number (Denmark)	5d83dcf2-47bf-4306-8875-3f97686ea53d
SCIP notification number (Finland)	ddcaf62e-6dab-4a0e-8f20-c9215ce8a927
SCIP notification number (France)	06ffc631-11ed-4640-bda2-2205e0dcf4e5
SCIP notification number (Germany)	0537e79d-b2b1-4552-80f7-3a445687712f
SCIP notification number (Hungary)	a11a6101-7da9-419b-8de3-d863b805e840
SCIP notification number (Italy)	ce84c7fd-e6c6-4b15-aa2d-0cdd64a175b
SCIP notification number (Netherlands)	6926c2bc-70dd-401c-af3c-e901f2e52240
SCIP notification number (Poland)	f16caabc-7135-4448-b8bc-6d7468b7acca
SCIP notification number (Romania)	9749e84e-6433-46fe-8ad4-9a0c124d8edf
SCIP notification number (Sweden)	32a5fc5a-924f-41ce-b490-9f6b5390ede3

Approvals / Certificates

General approvals



Approval	Standard	Certificate Name
UL Underwriters Laboratories Inc.	UL 2238	E519602

Downloads

Environmental Product Compliance

Compliance Search

Environmental Product
Compliance
756-5312/090-100



Documentation

System Description

IP67 Cables and Plug-
gable Connectors

pdf
157.80 KB



Bid Text

756-5312/090-100

20.09.2017

doc
27.00 KB



756-5312/090-100

19.02.2019

xml
3.35 KB

