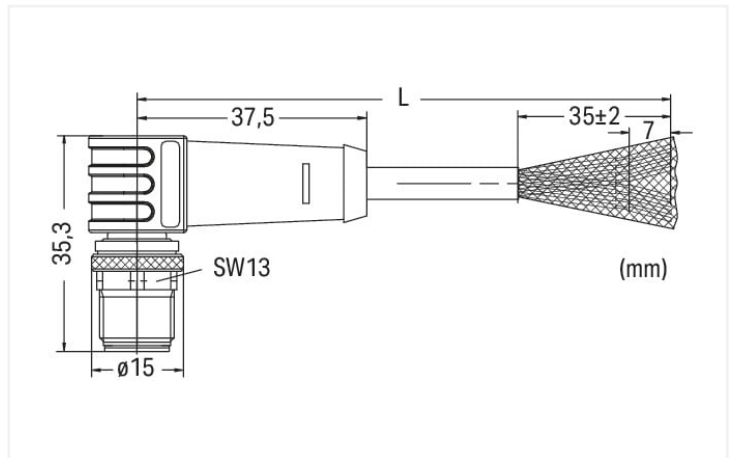
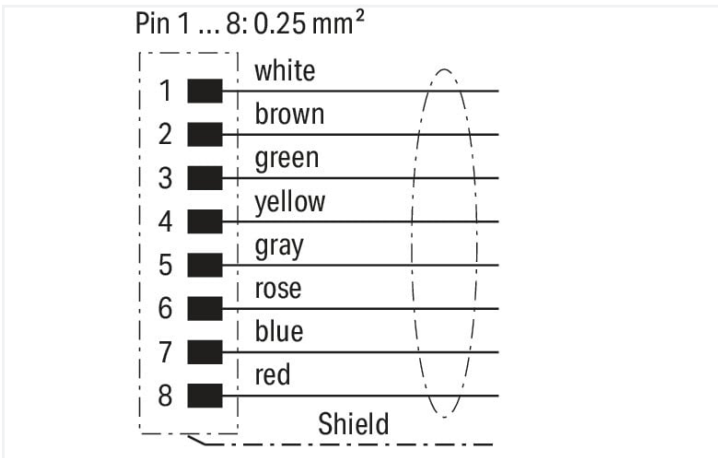


Similar to illustration



Dimensions in mm

**Short description:**

- PUR, halogen-free
- Suitable for drag chains
- High resistance to microbes, hydrolysis, oil, chemicals and UV radiation
- High chemical resistance
- Cable used: UL listed

Technical data	
<b>General information</b>	
Operating voltage	250 VAC/DC
Operating current	4 A
Rated surge voltage	1.5 kV
Insulation resistance	>10 <sup>8</sup> Ω
Contact resistance	10 mΩ
Conductor resistance	≤ 60 Ω/km
Pollution degree	3 per VDE 0110
Protection type	IP67
Ambient (operating) temperature (static)	-50 ... +90 °C
Ambient (operating) temperature (dynamic)	-25 ... +90 °C
<b>Drag chain compatible</b>	
Bending radius	10 x cable diameter (min.)
Bending cycles	2 million
Acceleration (min.)	5 m/s <sup>2</sup>
Travel speed (max.)	3.33 m/s
Travel path (horizontal) max.	5 m
Travel path (vertical) max.	2 m
Torsional capacity	180 °/m

Cable		Connector	
Cable length	5 m	Connection type	M12 plug - free end
Type code	LiF9YH-11YH or LiF9YC11YFHF	Pole number	8
Conductor configuration	Bare copper wire, fine-stranded (32 x 0.1 mm)	Cable connection direction to mating direction	90 °
Conductor insulation	PP9Y (halogen-free)	Connector interface coding (cable/adapter) 1 1	A-coded
Sheath material	Polyurethane (PUR), halogen-free per DIN VDE 0472 Part 815, flame resistant per IEC 332-2, self-extinguishing	Housing material	Polyurethane (PUR)
Sheathed cable color	black	Contact material	CuSn
Sheathed cable diameter	6.1 ... 6.5 mm	Tightening torque	1 Nm

Commercial data	
eCl@ss 10.0	27-06-03-11
eCl@ss 9.0	27-06-03-11
ETIM 8.0	EC001855
ETIM 7.0	EC001855
PU (SPU)	1 pcs
Packaging type	Box
Country of origin	HU
GTIN	4050821346340
Customs tariff number	85444290900

Environmental Product Compliance	
CAS-No.	7439-92-1
REACH Candidate List Substance	Lead
RoHS Compliance Status	Compliant,With Exemption
RoHS Exemption	6(c)
SCIP notification number (Austria)	53931402-e7c6-4cf6-acef-0f0b357ae25c
SCIP notification number (Belgium)	2187fddc-13ab-4e09-9f79-f2d63701c194
SCIP notification number (Bulgaria)	7a1a626c-460c-49e7-bdae-9de055335828
SCIP notification number (Czech Republic)	6e19ac3b-364e-4e67-9a88-12afa3b2bb3a
SCIP notification number (Denmark)	3f830863-034e-42c9-a37c-6c82dfdc8984
SCIP notification number (Finland)	75e15318-00ab-4ab8-bffc-f1765c5d8546
SCIP notification number (France)	a5d43bd7-aacf-4380-8fa7-50e203bf775c
SCIP notification number (Germany)	dcbfdf8c-4447-48c7-8d5e-9eaf6448a022
SCIP notification number (Hungary)	97135ad8-ee56-4d3c-8794-38d7c4743d22
SCIP notification number (Italy)	485341d3-0b00-45da-b1a5-13ef733bdbbd
SCIP notification number (Netherlands)	5b8f973e-bc45-4ef6-99bd-9715031d8ba1
SCIP notification number (Poland)	8ae35f29-4921-43bd-a369-9b402ffabef4
SCIP notification number (Romania)	6374b4bb-1a3c-41f9-a4e4-fd6e478f0885
SCIP notification number (Sweden)	1a0028be-1b16-4752-ba9a-71f0972fd416

## Approvals / Certificates

### General approvals



Approval	Standard	Certificate Name
UL Underwriters Laboratories Inc.	UL 2238	E519602

Downloads

Environmental Product Compliance

Compliance Search

Environmental Product  
Compliance  
756-5312/090-050



Documentation

System Description

IP67 Cables and Plug-  
gable Connectors

pdf  
157.80 KB



Bid Text

756-5312/090-050

20.09.2017

doc  
27.00 KB



756-5312/090-050

19.02.2019

xml  
3.35 KB

