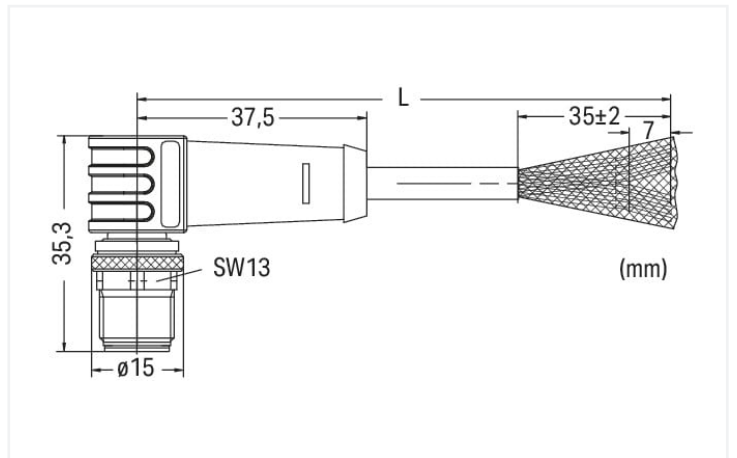
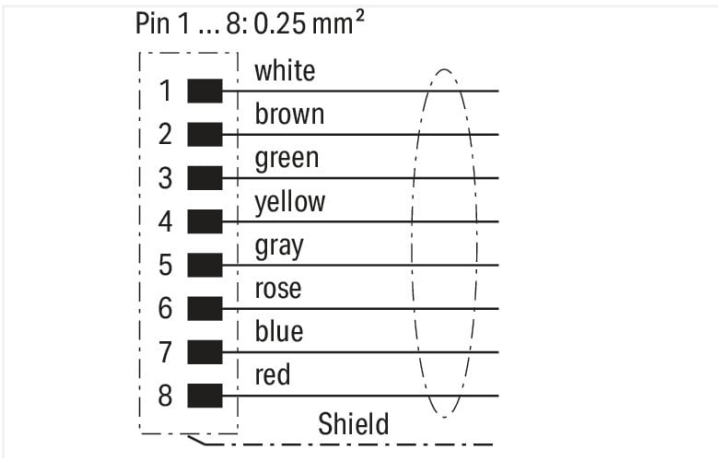


Similar to illustration



Dimensions in mm

Short description:

- PUR, halogen-free
- Suitable for drag chains
- High resistance to microbes, hydrolysis, oil, chemicals and UV radiation
- High chemical resistance
- Cable used: UL listed

Technical data	
General information	
Operating voltage	250 VAC/DC
Operating current	4 A
Rated surge voltage	1.5 kV
Insulation resistance	>10 ⁸ Ω
Contact resistance	10 mΩ
Conductor resistance	≤ 60 Ω/km
Pollution degree	3 per VDE 0110
Protection type	IP67
Ambient (operating) temperature (static)	-50 ... +90 °C
Ambient (operating) temperature (dynamic)	-25 ... +90 °C
Drag chain compatible	
Bending radius	10 x cable diameter (min.)
Bending cycles	2 million
Acceleration (min.)	5 m/s ²
Travel speed (max.)	3.33 m/s
Travel path (horizontal) max.	5 m
Travel path (vertical) max.	2 m
Torsional capacity	180 °/m

Cable

Cable length	1.5 m
Type code	LiF9YH-11YH or LiF9YC11YFHF
Conductor configuration	Bare copper wire, fine-stranded (32 x 0.1 mm)
Conductor insulation	PP9Y (halogen-free)
Sheath material	Polyurethane (PUR), halogen-free per DIN VDE 0472 Part 815, flame resistant per IEC 332-2, self-extinguishing
Sheathed cable color	black
Sheathed cable diameter	6.1 ... 6.5 mm

Connector

Connection type	M12 plug - free end
Pole number	8
Cable connection direction to mating direction	90 °
Connector interface coding (cable/adapter) 1 1	A-coded
Housing material	Polyurethane (PUR)
Contact material	CuSn
Tightening torque	1 Nm

Commercial data

eCl@ss 10.0	27-06-03-11
eCl@ss 9.0	27-06-03-11
ETIM 8.0	EC001855
ETIM 7.0	EC001855
PU (SPU)	1 pcs
Packaging type	Box
Country of origin	HU
GTIN	4050821346357
Customs tariff number	85444290900

Environmental Product Compliance

CAS-No.	7439-92-1
REACH Candidate List Substance	Lead
RoHS Compliance Status	Compliant,With Exemption
RoHS Exemption	6(c)
SCIP notification number (Austria)	e1abe487-f2dc-452d-a2d1-1e36a55197af
SCIP notification number (Belgium)	d82c3bdf-864f-43d0-a8a6-e5cddd87b911
SCIP notification number (Bulgaria)	38ec2e44-e476-4beb-986b-0872a7a99a09
SCIP notification number (Czech Republic)	98cc3890-c16e-4eb6-b1a1-1ba41bf9d738
SCIP notification number (Denmark)	240d8224-ed86-4a12-a505-b82f27917a18
SCIP notification number (Finland)	968e9ff6-53aa-44b3-9c83-42a9978859b3
SCIP notification number (France)	915c7d18-875e-4eab-887f-bfd06b218a72
SCIP notification number (Germany)	10f57bf5-037b-4611-89bd-c80bdc9ec59d
SCIP notification number (Hungary)	3c15840c-542d-4cdb-928f-9a351427a8c8
SCIP notification number (Italy)	df40b32d-64ec-46a3-9f20-d6dbb9ddec15
SCIP notification number (Netherlands)	9d3d146e-5634-4254-9e80-6acddb01fc37
SCIP notification number (Poland)	617e479f-9d3a-47b0-91e6-801e9dcccfd6d
SCIP notification number (Romania)	496dd768-9faf-4db4-b163-2d2163e2da4a
SCIP notification number (Sweden)	31179c00-b163-4609-a84c-8a9f3e9b6c8d

Approvals / Certificates

General approvals



Approval	Standard	Certificate Name
UL Underwriters Laboratories Inc.	UL 2238	E519602



Downloads

Environmental Product Compliance

Compliance Search

Environmental Product
Compliance
756-5312/090-015



Documentation

System Description

IP67 Cables and Plug-
gable Connectors

pdf
157.80 KB



Bid Text

756-5312/090-015

19.02.2019

xml
3.35 KB



756-5312/090-015

20.09.2017

doc
27.00 KB

