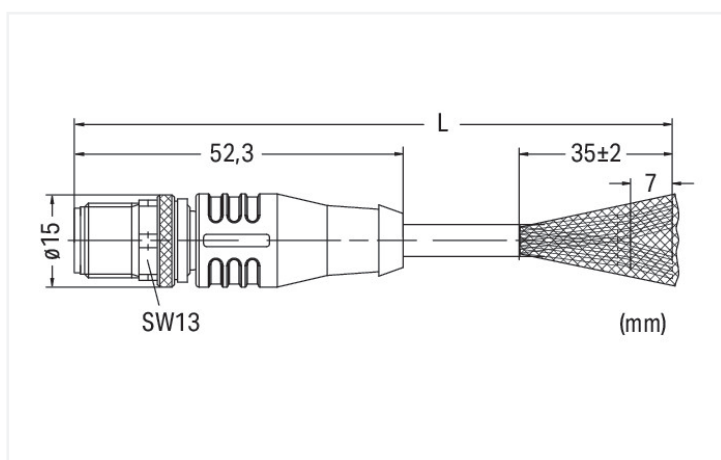
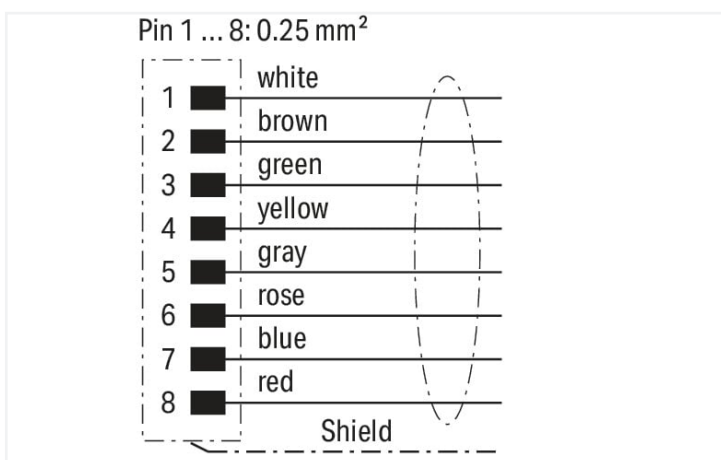


Similar to illustration



**Short description:**

- PUR, halogen-free
- Suitable for drag chains
- High resistance to microbes, hydrolysis, oil, chemicals and UV radiation
- High chemical resistance
- Cable used: UL listed

Technical data	
General information	
Operating voltage	250 VAC/DC
Operating current	4 A
Rated surge voltage	1.5 kV
Insulation resistance	>10 <sup>8</sup> Ω
Contact resistance	10 mΩ
Conductor resistance	≤ 60 Ω/km
Pollution degree	3 per VDE 0110
Protection type	IP67
Ambient (operating) temperature (static)	-50 ... +90 °C
Ambient (operating) temperature (dynamic)	-25 ... +90 °C
Drag chain compatible	
Bending radius	10 x cable diameter (min.)
Bending cycles	2 million
Acceleration (min.)	5 m/s <sup>2</sup>
Travel speed (max.)	3.33 m/s
Travel path (horizontal) max.	5 m
Travel path (vertical) max.	2 m
Torsional capacity	180 °/m

Cable	
Cable length	10 m
Type code	LiF9YH-11YH or LiF9YC11YFHF
Conductor configuration	Bare copper wire, fine-stranded (32 x 0.1 mm)
Conductor insulation	PP9Y (halogen-free)
Sheath material	Polyurethane (PUR), halogen-free per DIN VDE 0472 Part 815, flame resistant per IEC 332-2, self-extinguishing
Sheathed cable color	black
Sheathed cable diameter	6.1 ... 6.5 mm

Connector	
Connection type	M12 plug - free end
Pole number	8
Cable connection direction to mating direction	0 °
Connector interface coding (cable/adaptor) 1 1	A-coded
Housing material	Polyurethane (PUR)
Contact material	CuSn
Tightening torque	1 Nm

Commercial data	
eCl@ss 10.0	27-06-03-11
eCl@ss 9.0	27-06-03-11
ETIM 8.0	EC001855
ETIM 7.0	EC001855
PU (SPU)	1 pcs
Packaging type	Box
Country of origin	HU
GTIN	4050821346364
Customs tariff number	85444290900

Environmental Product Compliance	
CAS-No.	7439-92-1
REACH Candidate List Substance	Lead
RoHS Compliance Status	Compliant,With Exemption
RoHS Exemption	6(c)
SCIP notification number (Austria)	5b2b4c14-82d4-4cf2-8803-35765465a36a
SCIP notification number (Belgium)	74b5105c-e8a7-4ba4-85f9-200face2c229
SCIP notification number (Bulgaria)	fac9f6e7-516d-45d3-9259-dcfdcf783b94
SCIP notification number (Czech Republic)	086fa796-df48-4988-9adf-0896d65a6d47
SCIP notification number (Denmark)	bebb05b6-6f37-4292-82af-b6c1c71ddc02
SCIP notification number (Finland)	52e19d7e-57a8-4a65-aac3-0b89b27839b3
SCIP notification number (France)	fba505f2-7134-4d8c-902b-fc8992b90ee9
SCIP notification number (Germany)	1af74fc7-ec13-4c4b-99c8-3a60721d7c9e
SCIP notification number (Hungary)	309340e0-10fb-45f3-b883-ad5f15d44c41
SCIP notification number (Italy)	0b6b9754-9fa1-4d87-9a8f-805a3d66a4ad
SCIP notification number (Netherlands)	b6719ed5-48f1-42ac-946f-c8bf075e8199
SCIP notification number (Poland)	020046cc-94db-41c2-9c82-a6a56e4b9dd1
SCIP notification number (Romania)	6a20ac3a-0f0e-4c0d-8768-c3fb1e4281db
SCIP notification number (Sweden)	d0a4281b-2b37-469b-9774-6b20464b91da

## Approvals / Certificates

### General approvals



Approval	Standard	Certificate Name
UL Underwriters Laboratories Inc.	UL 2238	E519602

**Downloads**

**Environmental Product Compliance**

Compliance Search	
Environmental Product Compliance 756-5311/090-100	<a href="#">↓</a>

**Documentation**

System Description		
IP67 Cables and Plug-gable Connectors	pdf 157.80 KB	<a href="#">↓</a>

Bid Text				
756-5311/090-100	19.02.2019	xml 3.34 KB	<a href="#">↓</a>	
756-5311/090-100	20.09.2017	doc 27.00 KB	<a href="#">↓</a>	

Subject to changes. Please also observe the further product documentation!

Current addresses can be found at: [www.wago.com](http://www.wago.com)