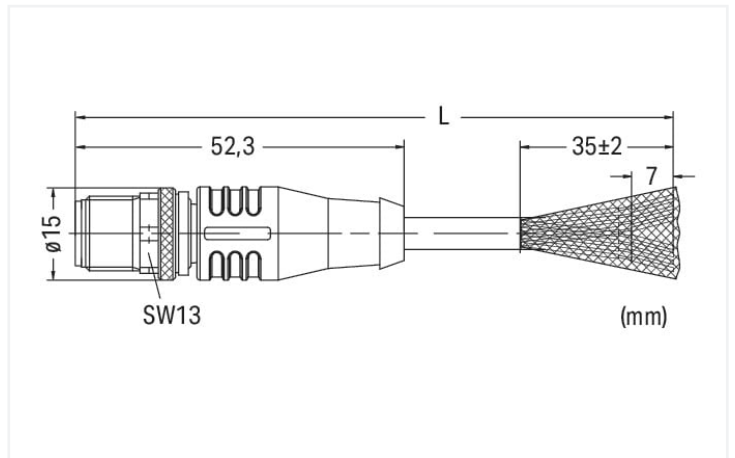
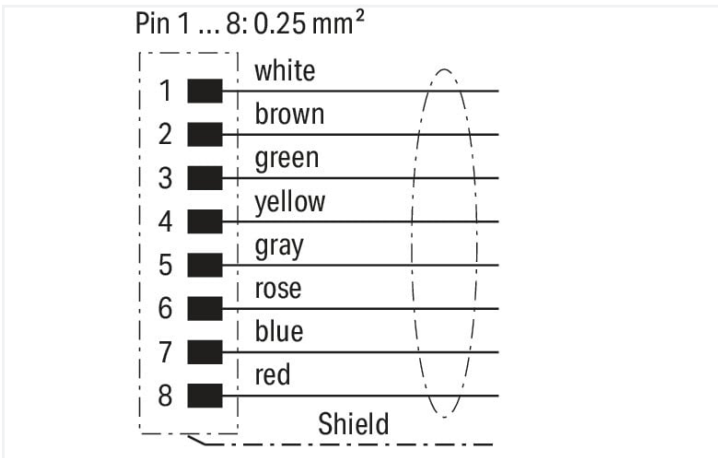


Similar to illustration



Short description:

- PUR, halogen-free
- Suitable for drag chains
- High resistance to microbes, hydrolysis, oil, chemicals and UV radiation
- High chemical resistance
- Cable used: UL listed

Technical data	
General information	
Operating voltage	250 VAC/DC
Operating current	4 A
Rated surge voltage	1.5 kV
Insulation resistance	>10 ⁸ Ω
Contact resistance	10 mΩ
Conductor resistance	≤ 60 Ω/km
Pollution degree	3 per VDE 0110
Protection type	IP67
Ambient (operating) temperature (static)	-50 ... +90 °C
Ambient (operating) temperature (dynamic)	-25 ... +90 °C
Drag chain compatible	
Bending radius	10 x cable diameter (min.)
Bending cycles	2 million
Acceleration (min.)	5 m/s ²
Travel speed (max.)	3.33 m/s
Travel path (horizontal) max.	5 m
Travel path (vertical) max.	2 m
Torsional capacity	180 °/m

Cable

Cable length	5 m
Type code	LiF9YH-11YH or LiF9YC11YFHF
Conductor configuration	Bare copper wire, fine-stranded (32 x 0.1 mm)
Conductor insulation	PP9Y (halogen-free)
Sheath material	Polyurethane (PUR), halogen-free per DIN VDE 0472 Part 815, flame resistant per IEC 332-2, self-extinguishing
Sheathed cable color	black
Sheathed cable diameter	6.1 ... 6.5 mm

Connector

Connection type	M12 plug - free end
Pole number	8
Cable connection direction to mating direction	0°
Connector interface coding (cable/adaptor) 1 1	A-coded
Housing material	Polyurethane (PUR)
Contact material	CuSn
Tightening torque	1 Nm

Commercial data

eCl@ss 10.0	27-06-03-11
eCl@ss 9.0	27-06-03-11
ETIM 8.0	EC001855
ETIM 7.0	EC001855
PU (SPU)	1 pcs
Packaging type	Box
Country of origin	HU
GTIN	4050821346371
Customs tariff number	85444290900

Environmental Product Compliance

CAS-No.	7439-92-1
REACH Candidate List Substance	Lead
RoHS Compliance Status	Compliant,With Exemption
RoHS Exemption	6(c)
SCIP notification number (Austria)	152558c6-b5fc-4ebc-9aed-a2fb6b08a217
SCIP notification number (Belgium)	3a9cf0d7-9259-436f-9dc1-2aca54cf45de
SCIP notification number (Bulgaria)	60487d13-c285-42b9-ab08-c345f9f61d3f
SCIP notification number (Czech Republic)	312cb167-c735-4845-9068-dde807c7525d
SCIP notification number (Denmark)	9f4ac926-3af1-4064-add0-ed816df6b54a
SCIP notification number (Finland)	f13c7679-46ce-4e3e-95b5-b39485331f9e
SCIP notification number (France)	f0372911-2b26-401a-86ab-c2f6efc7c880
SCIP notification number (Germany)	54fb2bde-f610-45d7-a104-5a1c4281c5fe
SCIP notification number (Hungary)	7663886e-bdba-4b47-8499-75f444109176
SCIP notification number (Italy)	5650e971-4e7a-4bd7-903b-9ccc8c49e1c9
SCIP notification number (Netherlands)	625cc1d7-a665-4978-86e6-2f444d755129
SCIP notification number (Poland)	d0973d12-5bcb-4f73-863e-10f7a34fab6e
SCIP notification number (Romania)	59dd6a2a-b740-45be-b405-c4a465f8bd4b
SCIP notification number (Sweden)	b31e5b7c-0918-419f-bca3-95c38be7ed54

Approvals / Certificates

General approvals



Approval	Standard	Certificate Name
UL Underwriters Laboratories Inc.	UL 2238	E519602



Downloads

Environmental Product Compliance

Compliance Search

Environmental Product
Compliance
756-5311/090-050



Documentation

System Description

IP67 Cables and Plug-
gable Connectors

pdf
157.80 KB



Bid Text

756-5311/090-050

19.02.2019

xml
3.34 KB



756-5311/090-050

20.09.2017

doc
27.00 KB

